

0CM50-M00770EN

Contents

OCM50-M00770

Fig. No. Fig. Name

YDG5500V-5EBYI2/YDG5500V-5BYI2/YDG5500N-6EBYI2/YDG5500N-6BYI2

1. LABELS
2. FRAME AND BATTERY
3. FUEL TANK & FUEL PIPES
4. ALTERNATOR
5. ELECTRIC PANEL

Fig. No. Fig. Name

Fig.1. LABELS

(A)=YDG5500V-5EBY12
 (B)=YDG5500V-5BY12
 (C)=YDG5500N-6EBY12

(D)=YDG5500N-6BY12
 (E)=
 (F)=

No.	Lev.	Parts No.	Description	Q'ty						I	R
				(A)	(B)	(C)	(D)	(E)	(F)		
1	1	16295G-00120	LBL YANMAR GEN. 5500	1	1	1	1				
2	1	16295F-00400	LBL EXHAUST GAS	1	1	1	1				
3	1	183054-08100	MARK PLATE,DC	1	1	1	1				
4	1	183054-08220	LABEL,OIL WARNING	1	1	1	1				
5	1	16295F-00330	LABEL READING MANUAL	1	1	1	1				
6	1	16295F-00340	LABEL GENERIC RISK	1	1	1	1				
7	1	16295F-00320	LABEL ELECTRIC RISK	1	1	1	1				
8	1	16295F-00410	LBL HOT SURFACE	1	1	1	1				
9	1	183054-08270	LABEL,OPERATION	1	1	1	1				
10	1	183054-08230	LABEL,CAUTION	1	1	1	1				
11	1	16295F-00310	LABEL FIRE RISK	1	1	1	1				
12	1	183054-08240	LABEL,DIESEL FUEL	1	1	1	1				
13	1	183054-08200	LABEL,50HZ	1	1						
14	1	183054-08360	LABEL,60HZ			1	1				

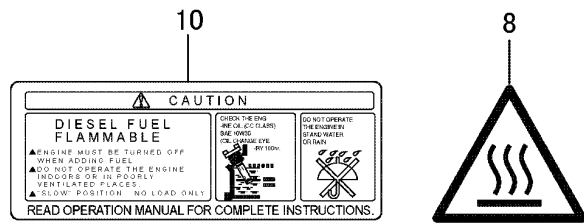
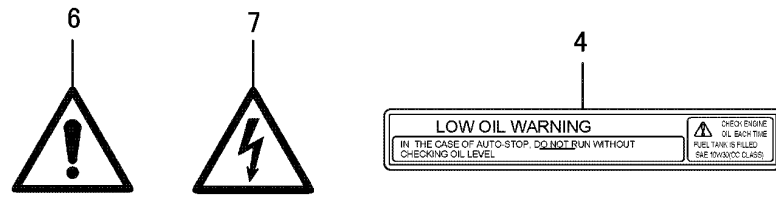
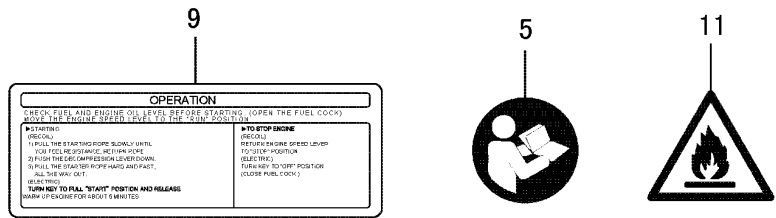
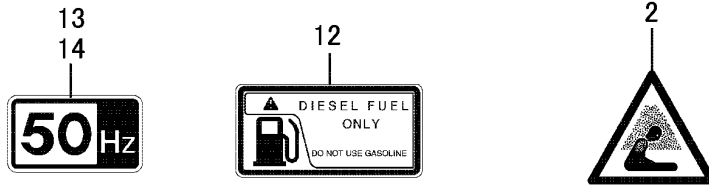
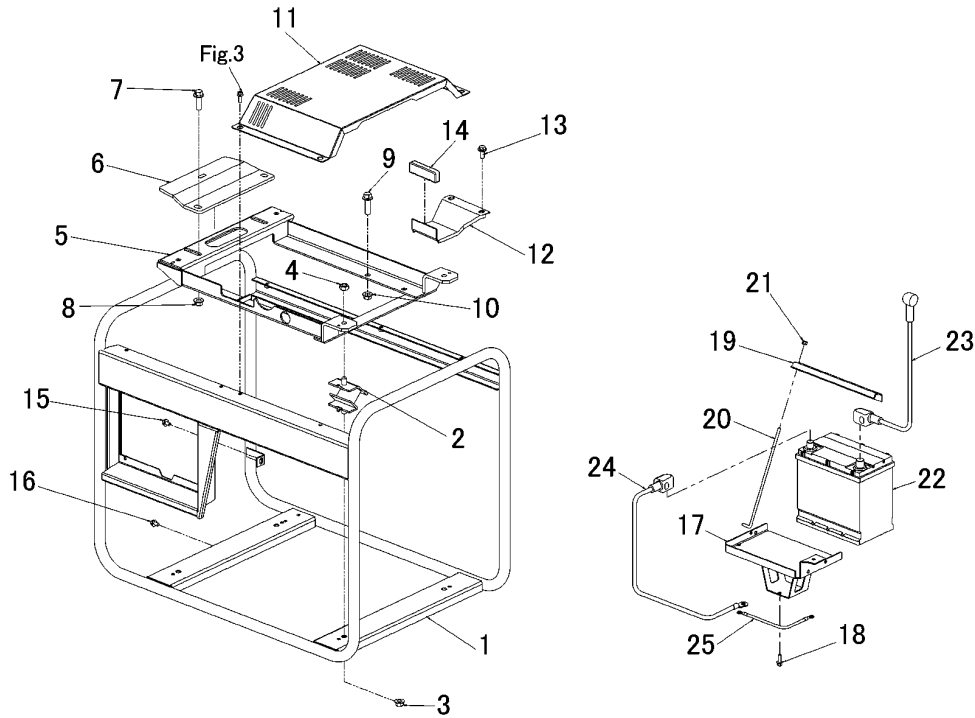


Fig.2. FRAME AND BATTERY

(A)=YDG5500V-5EBYI2
 (B)=YDG5500V-5BYI2
 (C)=YDG5500N-6EBYI2

(D)=YDG5500N-6BYI2
 (E)=
 (F)=

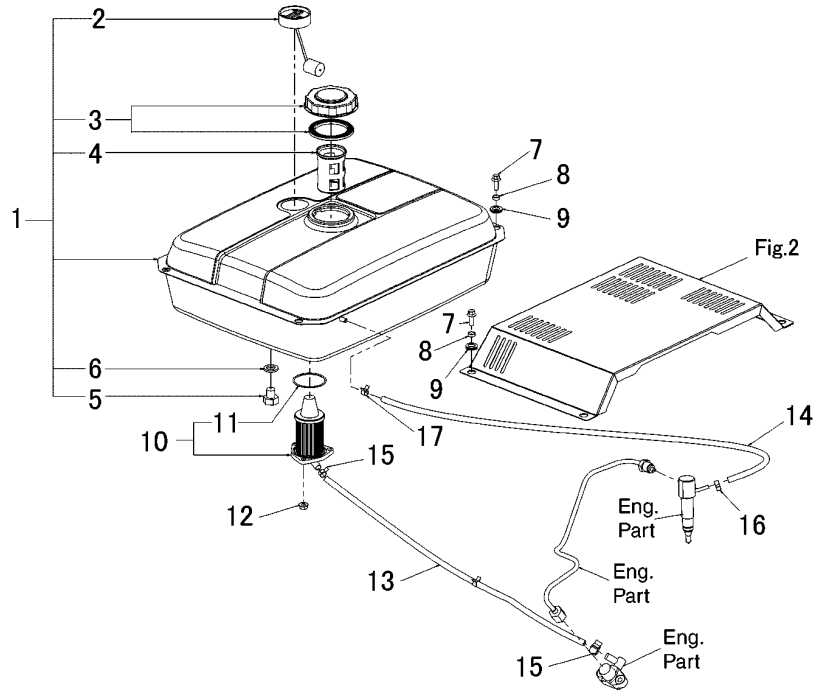


No.	Lev.	Parts No.	Description	Q'ty						I	R
				(A)	(B)	(C)	(D)	(E)	(F)		
1	1	183056-08420	FRAME	1	1	1	1				
2	1	183056-08460	DAMPER	4	4	4	4				
3	1	183054-08430	NUT	4	4	4	4				
4	1	183054-08430	NUT	4	4	4	4				
5	1	183056-08480	STAY, DAMPER	1	1	1	1				
6	1	16295G-00010	FLANGE ADPTER	1	1	1	1				
7	1	26106-100252	BOLT, M10X 25 PLATED	2	2	2	2				
8	1	183054-08430	NUT	2	2	2	2				
9	1	26136-100352	BOLT, M10X 35 PLATED	4	4	4	4				
10	1	183054-08430	NUT	4	4	4	4				
11	1	183056-08470	COVER, ENGINE	1	1	1	1				
12	1	183055-08320	STOPPER	1	1	1	1				
13	1	26106-080182	BOLT, M8X 18 PLATED	2	2	2	2				
14	1	183054-08450	RUBBER, STOPPER	1	1	1	1				
15	1	26106-060102	BOLT, M6X 10 PLATED	1	1	1	1				
16	1	26106-060102	BOLT, M6X 10 PLATED	1	1	1	1				
17	1	183055-79150	BRACKET, BATTERY	1	1	1	1				
18	1	26106-060102	BOLT, M6X 10 PLATED	2	2	2	2				
19	1	183054-79150	RETAINER, BATTERY	1	1	1	1				
20	1	183055-79110	BOLT, CLAMP	2	2	2	2				
21	1	26366-050002	NUT, M5	2	2	2	2				
22	1	183056-79120	BATTERY, 44B19L	1	1	1	1				
23	1	183056-79130	CABLE, +	1	1	1	1				
24	1	183056-79140	CABLE(-)	1	1	1	1				
25	1	183056-74500	EARTH CORD,CMP	1	1	1	1				

Fig.3. FUEL TANK & FUEL PIPES

(A)=YDG5500V-5EBYI2
 (B)=YDG5500V-5BYI2
 (C)=YDG5500N-6EBYI2

(D)=YDG5500N-6BYI2
 (E)=
 (F)=

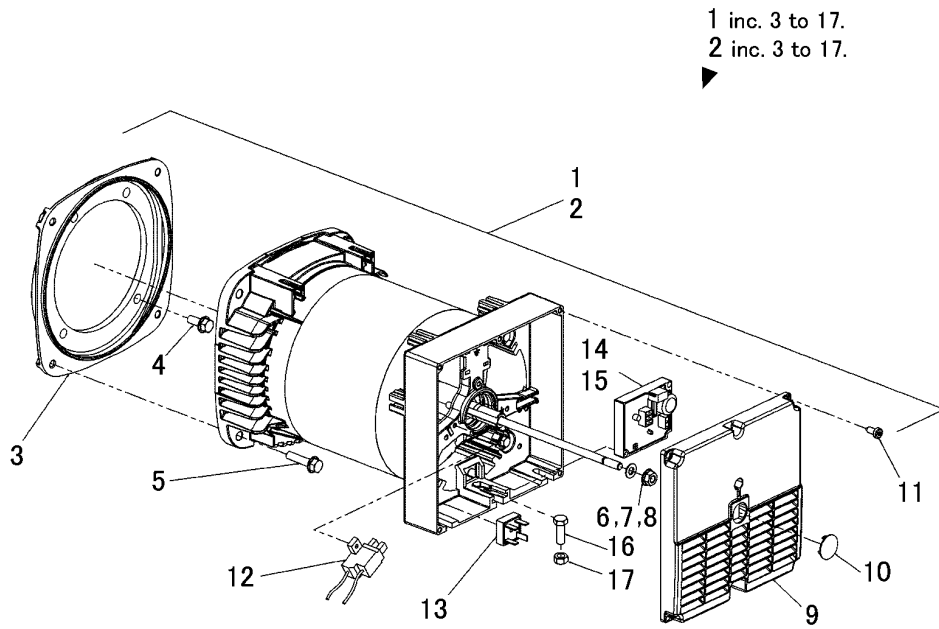


No.	Lev.	Parts No.	Description	Q'ty						I	R
				(A)	(B)	(C)	(D)	(E)	(F)		
1	1	183055-55100	TANK ASSY	1	1	1	1				
2	2	183055-55110	GAUGE, FUEL	1	1	1	1				
3	2	183054-55150	CAP ASSY,FUEL TANK	1	1	1	1				
4	2	183054-55160	FILTER, FUEL	1	1	1	1				
5	2	183054-55140	PLUG, DRAIN	1	1	1	1				
6	2	22190-120002	WASHER, SEAL 12	1	1	1	1				
7	1	183054-55120	BOLT, HEXAGON	4	4	4	4				
8	1	183054-55130	COLLAR	4	4	4	4				
9	1	183054-55180	GROMMET, FUEL TANK	4	4	4	4				
10	1	183054-55170	FILTER, FUEL	1	1	1	1				
11	2	24341-000450	O-RING, 1AS45.0	1	1	1	1				
12	1	26366-060002	NUT, M6	3	3	3	3				
13	1	183056-59110	PIPE,FUEL OIL	1	1	1	1				
14	1	183056-59100	HOSE, FUEL RETURN	1	1	1	1				
15	1	23080-014000	CLAMP, 14	2	2	2	2				
16	1	124066-59100	CLAMP, HOSE 8	1	1	1	1				
17	1	183054-59130	CLAMP, 9	1	1	1	1				

Fig.4. ALTERNATOR

(A)=YDG5500V-5EBYI2
 (B)=YDG5500V-5BYI2
 (C)=YDG5500N-6EBYI2

(D)=YDG5500N-6BYI2
 (E)=
 (F)=



No.	Lev.	Parts No.	Description	Q'ty						I	R
				(A)	(B)	(C)	(D)	(E)	(F)		
1	1	16295G-00080	ALTERNATOR KR100G-50	1	1						
2	1	16295G-00070	ALTERNATOR KR100G-60				1	1			
3	2	16295F-00160	FLANGE ALTERNATOR KR	1	1	1	1	1			
4	2	26106-080202	BOLT, M8X 20 PLATED	4	4	4	4	4			
5	2	26106-080282	BOLT, M8X 28 PLATED	4	4	4	4	4			
6	2	16295G-00060	STUD BOLT M8X255	1	1	1	1	1			
7	2	16295F-00210	PLAIN WASHER M8	1	1	1	1	1			
8	2	16295F-00220	SELF LOCKING NUT M8	1	1	1	1	1			
9	2	16295F-00230	PLASTIC COVER KR100G	1	1	1	1	1			
10	2	16295F-00250	PLASTIC CAP	1	1	1	1	1			
11	2	16295F-00240	TORX SELF TAPPNG SCR	4	4	4	4	4			
12	2	16295F-00170	BRUSH KR100G	1	1	1	1	1			
13	2	16295F-00200	BC RECITFIER	1	1	1	1	1			
14	2	16295F-00190	AVR KR100G-50HZ	1	1						
15	2	16295F-00180	AVR KR100G-60HZ				1	1			
16	2	16295F-00030	HEX. FLANGE BOLT M8X	1	1	1	1	1			
17	2	26306-080002	NUT, M8	1	1	1	1	1			

Fig.5. ELECTRIC PANEL

(A)=YDG5500V-5EBYI2

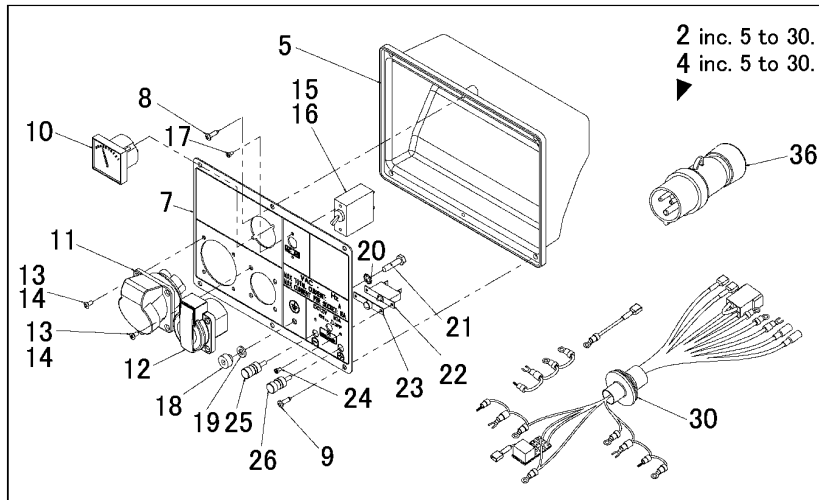
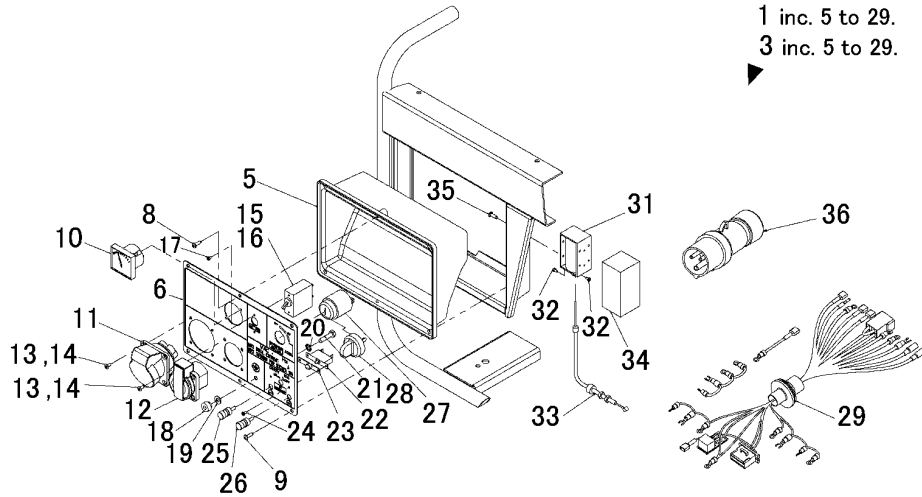
(B)=YDG5500V-5BYI2

(C)=YDG5500N-6EBYI2

(D)=YDG5500N-6BYI2

(E)=

(F)=



No.	Lev.	Parts No.	Description	Q'ty						I	R
				(A)	(B)	(C)	(D)	(E)	(F)		
1	1	16295G-00030	ELECTRIC PANEL (YDG5	1							
2	1	16295G-00020	ELECTRIC PANEL (YDG5		1						
3	1	16295G-00050	ELECTRIC PANEL (YDG5			1					
4	1	16295G-00040	ELECTRIC PANEL (YDG5						1		
5	2	183054-91200	BOX	1	1	1	1				
6	2	16295F-00130	FRONT PANEL (GRAPHIC	1		1					
7	2	16295F-00140	FRONT PANEL (GRAPHIC			1			1		
8	2	183054-91630	SCREW, TAPPING	2	2	2	2				
9	2	183054-91620	SCREW	4	4	4	4				
10	2	183054-91660	METER, VOLTAGE	1	1	1	1				
11	2	16295F-00070	CEE-240 SOCKET	1	1	1	1				
12	2	16295F-00080	SCHUKO SOCKET	1	1	1	1				
13	2	16295F-00050	HEXAGON NUT M4	4	4	4	4				
14	2	16295F-00060	COUNTERSUNK SCREW M4	4	4	4	4				
15	2	16295G-00090	BREAKER 20A (CE VERS	1	1						
16	2	16295G-00100	BREAKER 22A (CE VERS						1	1	
17	2	183054-91510	SCREW, PAN HEAD 3X6	2	2	2	2				
18	2	183054-91440	NUT, EARTH	1	1	1	1				
19	2	183054-91490	WASHER	1	1	1	1				
20	2	183054-91460	WASHER	1	1	1	1				
21	2	183054-91450	BOLT, EARTH	1	1	1	1				
22	2	183054-91600	BREAKER, DC	1	1	1	1				
23	2	183054-91610	CAP, DC BREAKER	1	1	1	1				
24	2	183054-91510	SCREW, PAN HEAD 3X6	2	2	2	2				
25	2	183054-91530	TERMINAL, DC BRACK	1	1	1	1				
26	2	183054-91520	TERMINAL, DC RED	1	1	1	1				
27	2	183056-91580	SWITCH ASSY, KEY	1		1					
28	2	183054-91640	KEY, STARTER SWITCH	1		1					
29	2	16295F-00300	WIRING ASSY	1		1					
30	2	16295F-00290	WIRING ASSY			1			1		
31	1	183054-66060	DC SOLENOID(12V)	1	1	1	1				
32	1	26022-040082	SCREW, M4X 8	2	2	2	2				
33	1	183056-66040	CABLE,REMOTE CONTROL	1	1	1	1				
34	1	183054-66030	COVER, SOLENOID	1	1	1	1				
35	1	26023-030082	SCREW, M3X 8	2	2	2	2				
36	1	16295F-00150	CEE-240 PLUG	1	1	1	1				

Parts No. Index

Parts No.	Fig. No.	Ref. No.
124066-59100	3	16
16295F-00030	4	16
16295F-00050	5	13
16295F-00060	5	14
16295F-00070	5	11
16295F-00080	5	12
16295F-00130	5	6
16295F-00140	5	7
16295F-00150	5	36
16295F-00160	4	3
16295F-00170	4	12
16295F-00180	4	15
16295F-00190	4	14
16295F-00200	4	13
16295F-00210	4	7
16295F-00220	4	8
16295F-00230	4	9
16295F-00240	4	11
16295F-00250	4	10
16295F-00290	5	30
16295F-00300	5	29
16295F-00310	1	11
16295F-00320	1	7
16295F-00330	1	5
16295F-00340	1	6
16295F-00400	1	2
16295F-00410	1	8
16295G-00010	2	6
16295G-00020	5	2
16295G-00030	5	1
16295G-00040	5	4
16295G-00050	5	3
16295G-00060	4	6
16295G-00070	4	2
16295G-00080	4	1
16295G-00090	5	15
16295G-00100	5	16
16295G-00120	1	1
183054-08100	1	3
183054-08200	1	13
183054-08220	1	4
183054-08230	1	10
183054-08240	1	12
183054-08270	1	9
183054-08360	1	14
183054-08430	2	3
		4
		8
		10
183054-08450	2	14

Parts No.	Fig. No.	Ref. No.
183054-55120	3	7
183054-55130	3	8
183054-55140	3	5
183054-55150	3	3
183054-55160	3	4
183054-55170	3	10
183054-55180	3	9
183054-59130	3	17
183054-66030	5	34
183054-66060	5	31
183054-79150	2	19
183054-91200	5	5
183054-91440	5	18
183054-91450	5	21
183054-91460	5	20
183054-91490	5	19
183054-91510	5	17
		24
183054-91520	5	26
183054-91530	5	25
183054-91600	5	22
183054-91610	5	23
183054-91620	5	9
183054-91630	5	8
183054-91640	5	28
183054-91660	5	10
183055-08320	2	12
183055-55100	3	1
183055-55110	3	2
183055-79110	2	20
183055-79150	2	17
183056-08420	2	1
183056-08460	2	2
183056-08470	2	11
183056-08480	2	5
183056-59100	3	14
183056-59110	3	13
183056-66040	5	33
183056-74500	2	25
183056-79120	2	22
183056-79130	2	23
183056-79140	2	24
183056-91580	5	27
22190-120002	3	6
23080-014000	3	15
24341-000450	3	11
26022-040082	5	32
26023-030082	5	35
26106-060102	2	15
		16

Parts No.	Fig. No.	Ref. No.
26106-060102	2	18
26106-080182	2	13
26106-080202	4	4
26106-080282	4	5
26106-100252	2	7
26136-100352	2	9
26306-080002	4	17
26366-050002	2	21
26366-060002	3	12

Parts No.	Fig. No.	Ref. No.
-----------	----------	----------