

警告:在操作、调整和飞行本机型之前,请仔细阅读本手册,并按照手册中的所有注意事项、限制和建议进行安装。不正确使用本产品可能会造成财产损失、严重伤害甚至死亡。
WARNING: Please read this manual carefully before operating, adjusting and flight the model and follow all precautions, limitations and recommendations in the manual to do the installation. Improper use of this product can result in damage to property, serious injury or even death.

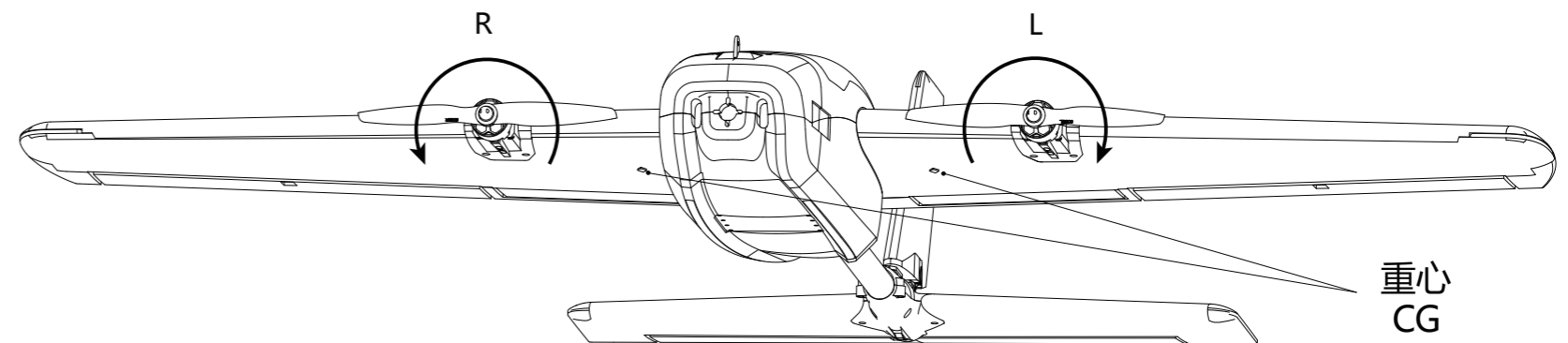
注意! 遥控飞机包括HEEWING的T2不是玩具,操作时,一定要注意自己的人身安全、他人的安全以及周围环境的安全,制造商和经销商是无法对使用者于零件使用的损耗异常或组装不当所发生之意外负责任何责任,本产品是提供给有操作过模型固定翼经验的成人或者有相当技术的人员在旁指导于当地合法遥控飞行场飞行,以确保安全无误下操作使用,产品售出后该公司将不负任何责任操作和使用控制上的任何性能与安全责任。

CAUTION: R/C aircraft, including the HEEWING T2, are not toys. Make sure to be conscious of your own personal safety, the safety of others and your environment when operating HEEWING products. Manufacturer and seller assume no liability for the operation or the use of this product. The HEEWING T2 is intended for use only by adults with experience flying remote control airplanes at a legal flying field. After the sale of this product, HEEWING cannot maintain any control over its operation or usage.

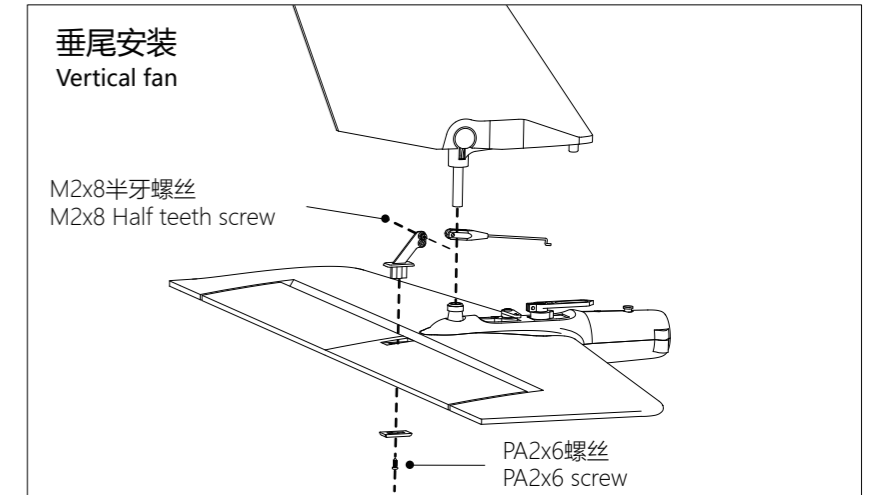
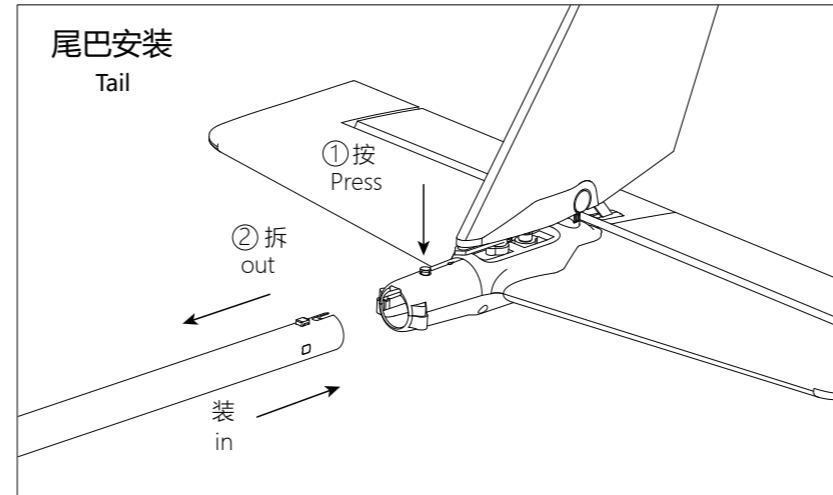
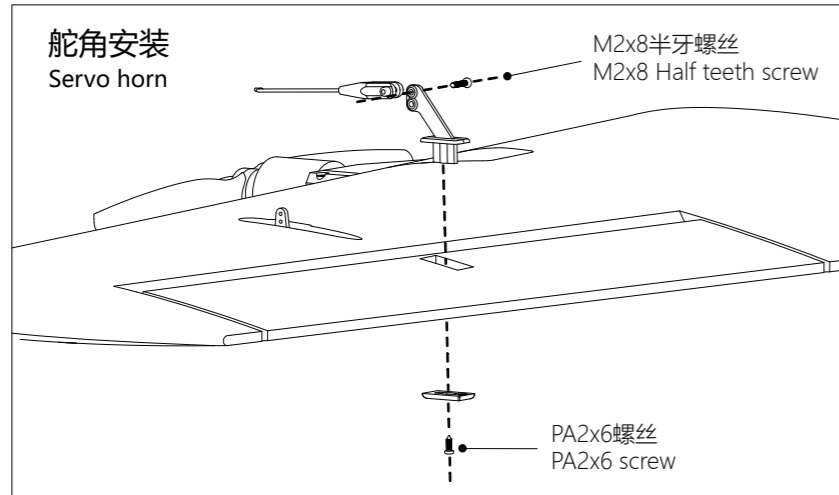
产品参数

Specification and configuration

机身长 Length :	1090mm
翼展 Wing Span:	1200 mm
电机 Motor :	2216
电调 ESC :	HEEWING 6S 25A BLS x 2
舵机 Servo :	HEEWING 041MG Metal digital x 4
襟翼舵机(不含) Flap servo(excl):	HEEWING 041MG Metal digital x 2
螺旋桨 Propeller :	8055
飞行重量 Takeoff Weight :	1500g~2500g
电池 Battery(excl):	6s Li-po 2000~20000mah



安装
Assembly



1 : 1 拉杆长度比例
1 : 1 linkage length scale

