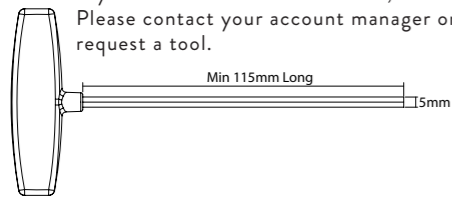


## OPTIONAL STEP DUAL SPRING CONFIGURATION

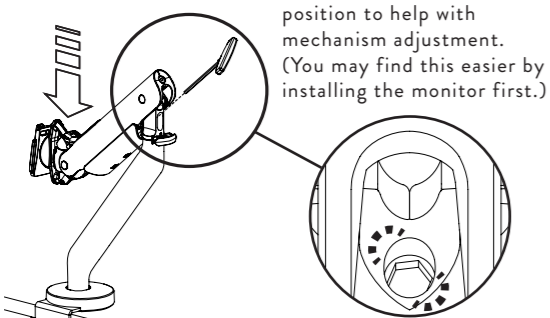
12

If the monitor to be mounted weighs less than 9kg (20lb) you may need to reconfigure the dual spring mechanism to the lower weight range.

An extra long T-Bar Allen Key is required to perform this adjustment - see guidance drawing below. This tool is not supplied with Flo X.  
If you do not have a suitable tool, we can supply one. Please contact your account manager or dealer to request a tool.



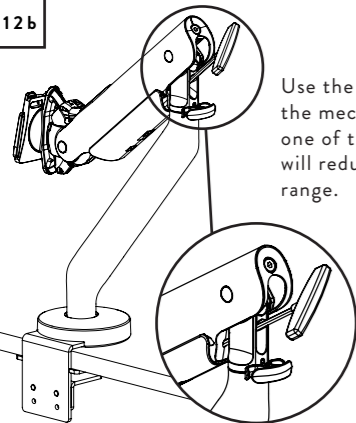
12a



Hold the arm in its lowest position to help with mechanism adjustment. (You may find this easier by installing the monitor first.)

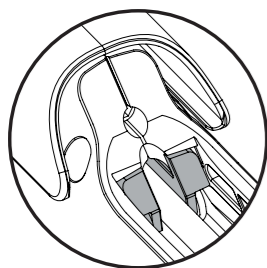
Be sure to insert the Allen Key in the hex detail of the lower hole.

12b



Use the 5mm Allen Key to adjust the mechanism. This will disengage one of the Flo X dual springs and will reduce the weight support range.

**IMPORTANT**  
Turn the screw anti-clockwise to the end of its travel and fully tighten to disengage one of the Flo X dual springs.



The spring is fully disengaged when the plastic wedge on the underside of the arm (shown in grey left) is drawn fully forwards and level with the arm body.

### TO RETURN TO FACTORY SET DUAL SPRING:

If Flo X Dual Spring mechanism has already been configured to low weight range, it can be returned to high load range by repeating the above process, except turning the adjuster screw clockwise until the mechanism reaches the end of its travel.

FLX-018-010-INST-A-SEPT 2022

Please consider leaving these instructions with the product if further installation may be required by others

### WARNING

- Ensure desk/work surface/wall/partition is suitable to take the weight of the arm/s and monitors.
- Do not use this product for any purpose other than that for which it was designed.
- Supported weight must not exceed 18kg (40lb) per arm.
- Hold the monitor tightly when making adjustments.
- Care should be taken to avoid trapping fingers.
- Do not dismantle or remodel the arms.
- Do not attach the monitor before assembling arm.
- Some monitors have recesses and may require spacers or a 75mm VESA plate.
- The screws supplied for the installation of the arm are supplied in good faith and with the intention that they will be used with the correct monitor, namely a monitor with VESA mounting holes. Please therefore check before attempting installation that you have the appropriate equipment on which to carry out the installation. CBS cannot be held liable for any damage caused to your equipment resulting from a failure to make this check. Please also carefully read the installation instructions to ensure correct fixing.

### MAINTENANCE AND INSPECTION

- Ensure all screws are tightened and occasionally adjust if needed.
- Clean with a damp cloth, NO solvent.

### DISCLAIMER

As part of Colebrook Bosson Saunders ongoing product improvement programme, the design of products may change without prior notice and details may vary from those illustrated.

### WARNUNG

- Sicherstellen, dass Schreibtisch / Arbeitsfläche / Wand / Trennwand das Gewicht von Arm(en) und Monitore/n tragen kann
- Dieses Produkt nur für den Zweck verwenden, für den es konstruiert wurde
- Maximale Belastung darf 18kg pro Arm nicht überschreiten
- Den Monitor beim Einstellen gut festhalten
- Vorsicht: Nicht die Finger einklemmen
- Die Arm nicht auseinander nehmen oder umbauen
- Den Monitor erst dann befestigen, wenn die Arm montiert ist
- Einige Monitore haben Aussparungen und erfordern möglicherweise Abstandshalter oder eine 75mm-VESA-Platte
- Die für die Montage des Armes gelieferte Schrauben sollen nur mit dem richtigen Bildschirm (das heißt mit der richtigen VESA Befestigungslöchern) verwendet werden. Bevor Sie die Montage beginnen, überprüfen Sie, bitte, dass Sie über die richtige Mittel verfügen. CBS haftet für keine Schäden, die dadurch entstehen könnten, wenn Mann nicht die richtige Mittel benutzt oder wenn Mann sie nicht überprüft hat. Lesen Sie, bitte, sorgfältig diese Anweisungen um die korrekte Durchführung der Montage zu versichern.

### WARTUNG UND INSPEKTION

- Sicherstellen, dass alle Schrauben festgezogen sind und, falls erforderlich, gelegentlich nachstellen. Mit einem feuchten Tuch säubern. KEINE Lösemittel.

### AVERTISSEMENT ET MISE EN GARDE

- Le bureau, le plan de travail, le mur ou la cloison doit pouvoir supporter le poids du ou des bras en plus de l'écran.
- Ce produit ne doit pas servir à d'autres fins que celle prévue.
- Le poids de l'écran ne doit pas dépasser 18kg par bras.
- Tenir fermement l'écran pendant les réglages.
- Faire attention à ne pas se coincer les doigts.
- Ne pas démonter ou modifier les bras.
- Ne pas fixer l'écran avant d'avoir assemblé le bras.
- Pour certains écrans qui ont des renforcements, il faut parfois utiliser des cales d'espacement ou une plaque VESA de 75mm.
- Les vis fournies pour l'installation du bras sont fournies de bonne foi et avec l'intention qu'elles seront utilisées avec le moniteur adéquat, à savoir un écran avec des trous de montage de type VESA. Merci donc de vérifier que vous avez le matériel compatible avant de tenter l'installation. CBS ne pourra être tenu responsable de tous dommages causés à votre matériel résultant de l'incompatibilité des vis avec votre modèle d'écran. Merci également de lire attentivement les instructions d'installation pour assurer une fixation correcte de l'écran sur le bras.

### ENTRETIEN ET INSPECTION

- S'assurer que toutes les vis sont bien serrées et les resserrer au besoin. Nettoyer à l'aide d'un chiffon humide. PAS DE solvants.

### ADVERTENCIA

- Asegurarse de que el escritorio/la superficie de trabajo/la pared/el tabique sea adecuado para soportar el peso del brazo o brazos y de los monitores.
- No usar este producto para otro propósito que no sea aquel para el cual fue diseñado.
- El peso soportado no debe exceder 18kg por brazo.
- Sujetar el monitor firmemente cuando se realicen ajustes.
- Tomar precauciones para evitar pillarse los dedos.
- No desarmar o remodelar los brazos.
- No instalar el monitor antes de fijar el brazo.
- Algunos monitores tienen espacios y pueden requerir espaciadores o una placa VESA de 75 mm.
- CBS Products informa que la tornillería suministrada, para la adecuada y correcta instalación de nuestros soportes para monitores, viene incluida gratis y completa para cada uno de los sets que CBS Products comercializa. Esta intención de parte de CBS Products busca que los soportes sean instalados de una manera óptima y precisa para monitores que cuenten con la disposición VESA para tornillos de fijación. CBS Products solicita a clientes, instaladores y distribuidores que todos los monitores sean revisados con anticipación para asegurar que cuentan con la distribución VESA de fijación. CBS Products no se hace responsable de ningún daño provocado o relacionado por haber evitado esta revisión. Adicionalmente, CBS Products enfatiza en la importancia de conocer y revisar con detalle el manual de instalación para conseguir una óptima fijación.

### MANTENIMIENTO E INSPECCION

- Asegurarse de que todos los tornillos estén apretados y ajustarlos de nuevo si fuera necesario.
- Limpiar con un paño húmedo, no utilizar solventes.

### 注意

- デスク / 作業台 / 壁 / 仕切りなどが、アームとモニターの重さに耐えられる事を確認して下さい。
  - 本来の目的以外の目的で本製品を扱わないで下さい。
  - 各アームが支える重さは18kgを超えないようにして下さい。
  - モニター角度調整中はモニターをしっかりと持って下さい。
  - 指を挟まないように注意して下さい。
  - 本製品を分解したり、組み立て直ししたりしないで下さい。
  - アームを組み立てる前にモニターを設置しないで下さい。
  - 壁に取り付けるためのねじは付属していません。
  - 本製品取付部に凹みのあるモニターには、スペーサー、又は75mmのVESAプレートが必要な場合があります。
- メンテナンスと点検
- すべてのネジが締まっていることを確認し、必要に応じて調整して下さい。固く絞った布で水拭きして下さい。

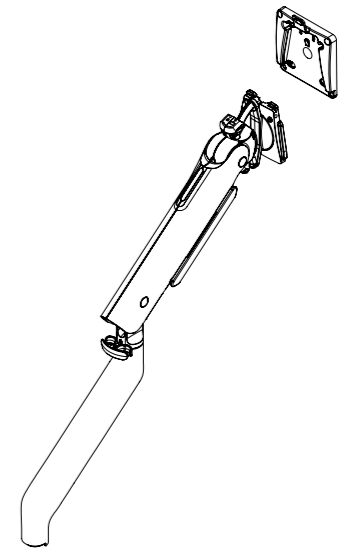
### 注意

- 請確保所有桌面/工作表面/隔墙适合承受手臂和荧光屏的重量
  - 切勿利用本产品在设计功能范围之外
  - 每手臂承受重量不得大于18公斤(40磅)
  - 调整时, 请紧握荧光屏
  - 为了避免手指被夹, 请注意
  - 切勿拆散或更改手臂
  - 手臂还没完成组合之前, 切勿安装荧光屏
  - 安装请置托架的槽位提供
  - 因某些荧光屏有凹面, 需要垫片或者75毫米VESA片
- 維修和檢查
- 請確保所有螺絲必須緊固, 如需要, 請隨時調整, 請使用濕布清潔, 切勿使用溶劑

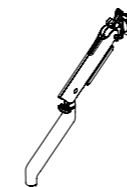
### PATENTS

Colebrook Bosson Saunders hold a number of patents and other intellectual property rights covering our products and processes. You can find patent information on our website at: [www.colebrookbossonsaunders.com/patents](http://www.colebrookbossonsaunders.com/patents)

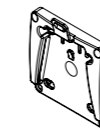
FLO X



## COMPONENT LIST



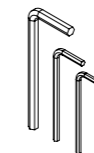
FLO X Arm



VESA Plate x 1



M4x12mm VESA Screws x 4  
M4x10mm VESA Screws x 4  
Optional Security Screw x 1

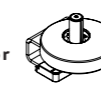


2.5mm Allen Key x 1  
3mm Allen Key x 1  
5mm Allen Key x 1

## OTHER KITS REQUIRED



Flo X Split Clamp  
FLX/018/AS01



Flo X Top Mount  
Clamp  
FLX/018/C07

Preferred Clamping Method



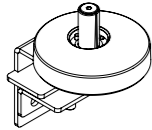
[www.colebrookbossonsaunders.com](http://www.colebrookbossonsaunders.com)

colebrook bosson saunders

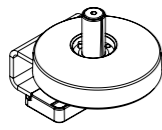
## FIT DESK FIXING TO WORKSURFACE

1

Follow instructions provided with chosen desk fixing



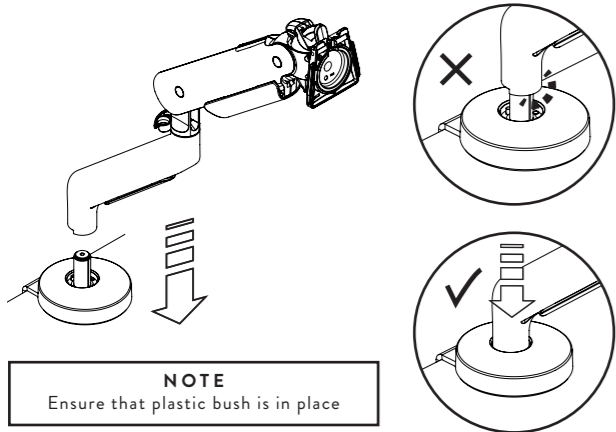
FLO X SPLIT CLAMP  
FLX/018/AS01



FLO X TOP MOUNT CLAMP  
FLX/018/C07

## FIT MONITOR ARM TO CLAMP

2



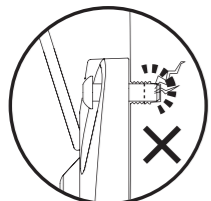
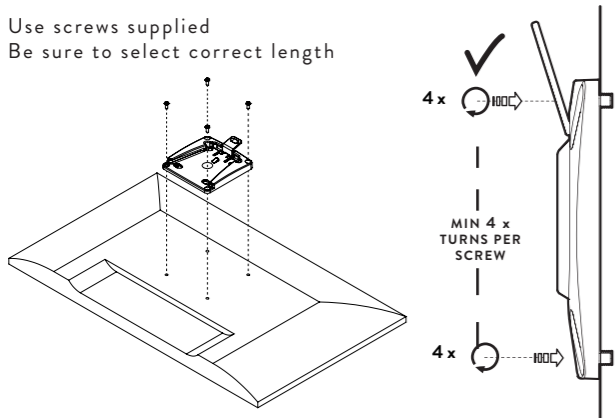
**NOTE**  
Ensure that plastic bush is in place

**IMPORTANT**  
Ensure that arm is pushed fully down onto clamp

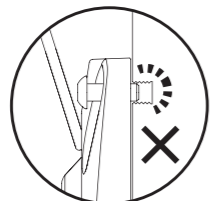
## ATTACH VESA PLATE TO MONITOR

3

Use screws supplied  
Be sure to select correct length



Screws over-inserted



Screws under-inserted

**IMPORTANT**  
It is the responsibility of the installer to ensure all mounting screws are properly engaged with a minimum of 4 x 360° turns into the display. Under or over insertion may cause damage to the equipment or injury to personnel.



## OPTIONAL STEP DUAL SPRING CONFIGURATION

4

If the monitor to be mounted weighs less than 9kg (20lb), you may need to configure the Flo X Dual Spring mechanism to suit the lower weight range.



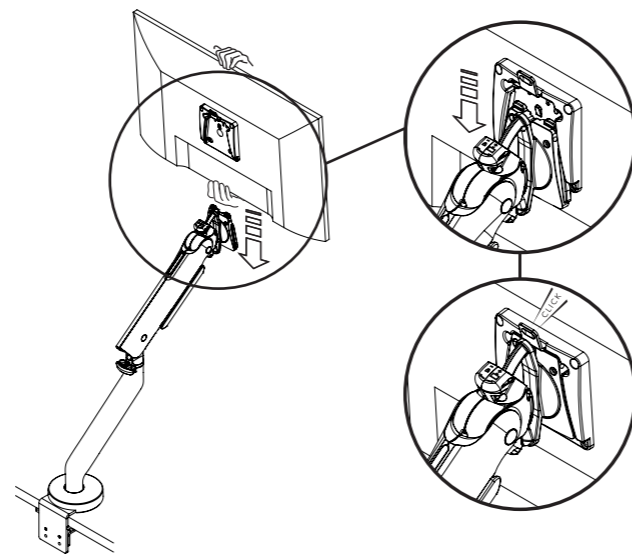
Factory set dual spring configuration is suitable. Go to step 5



Dual spring mechanism will need to be reconfigured to lower weight range. See step 12

## MOUNT MONITOR TO ARM

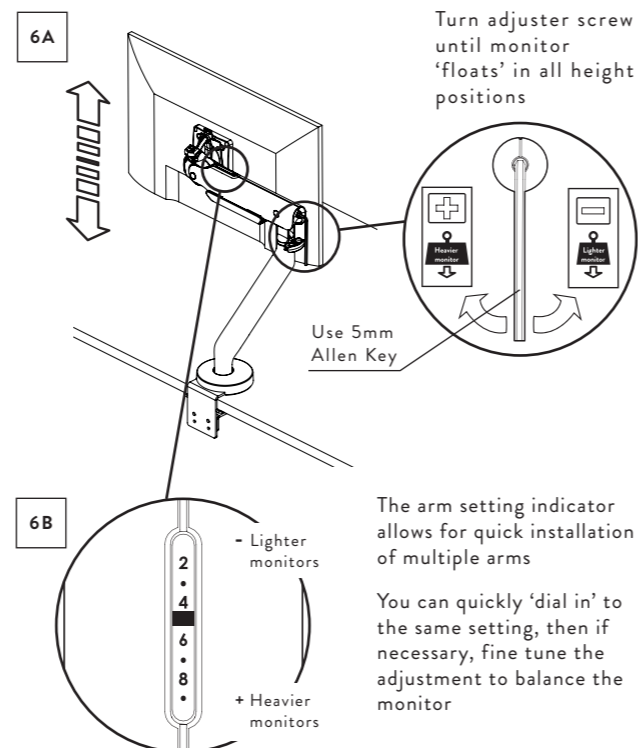
5



**NOTE**  
See Optional Step 10 for Security Screw installation

## ADJUST ARM TO SUIT WEIGHT OF MONITOR

6



Turn adjuster screw until monitor 'floats' in all height positions

Use 5mm Allen Key

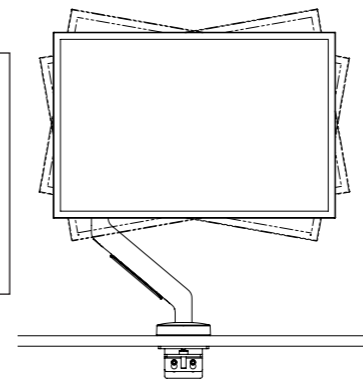
The arm setting indicator allows for quick installation of multiple arms

You can quickly 'dial in' to the same setting, then if necessary, fine tune the adjustment to balance the monitor

## OPTIONAL STEP VESA FRICTION ADJUSTMENT (if required)

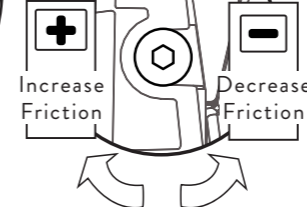
7

**IMPORTANT**  
Portrait-to-landscape monitor rotation is factory-set for optimum performance, however if the monitor droops sideways, rotation friction can be adjusted as described below.



Use 2.5mm Allen Key

Adjust the friction just enough to avoid unwanted rotation



Increase Friction

Decrease Friction

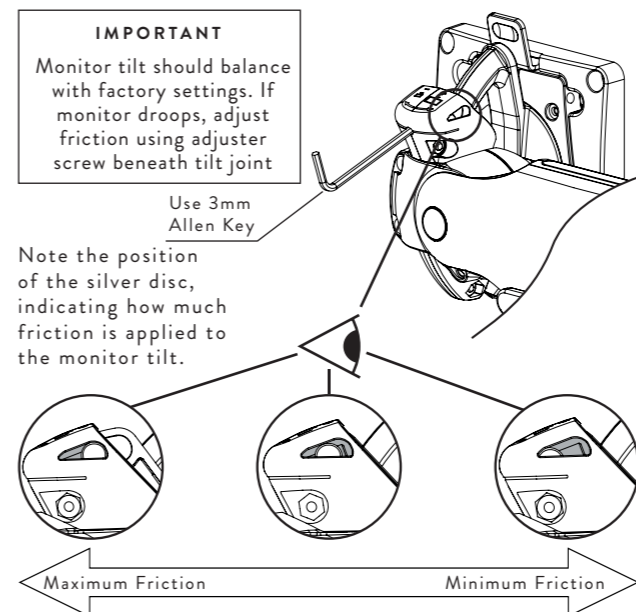
## OPTIONAL STEP TILT HEAD FRICTION ADJUSTMENT (if required)

8

**IMPORTANT**  
Monitor tilt should balance with factory settings. If monitor droops, adjust friction using adjuster screw beneath tilt joint

Use 3mm Allen Key

Note the position of the silver disc, indicating how much friction is applied to the monitor tilt.



Adjust the tilt friction just enough to avoid unwanted monitor droop.

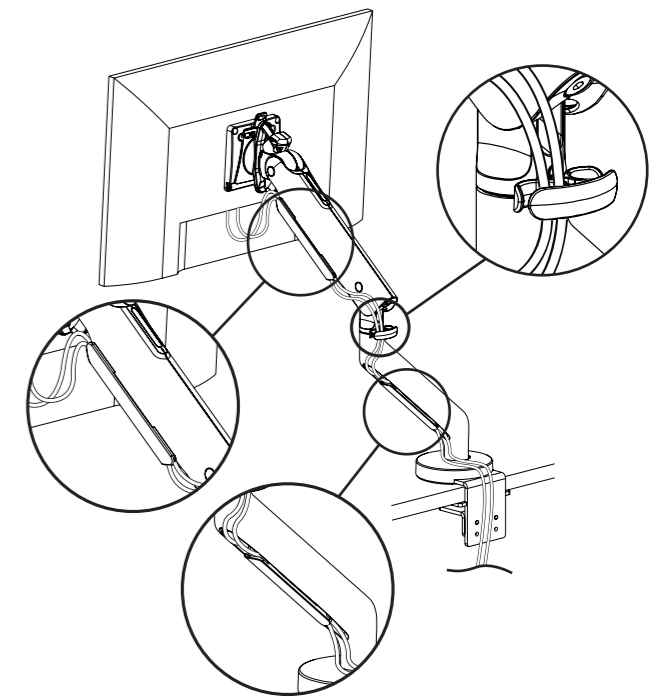
For heavy monitors turn the allen key to the left (in direction of the arrow).

For lighter monitors turn the allen key to the right (in direction of the arrow).

Note that drawing shows the top of the tilt head as viewed over the top of the monitor from the front of the desk.

## INSTALL CABLES

9

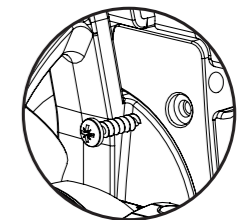


**IMPORTANT**  
Ensure that you allow enough free cable for easy monitor movement in all directions

## OPTIONAL STEP SECURITY SCREW

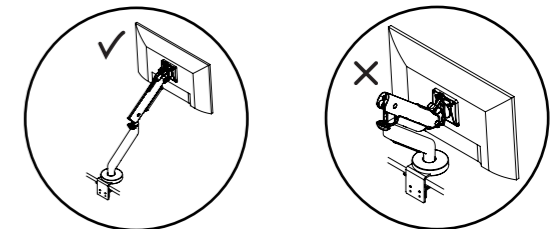
10

Security screw locks monitor to arm

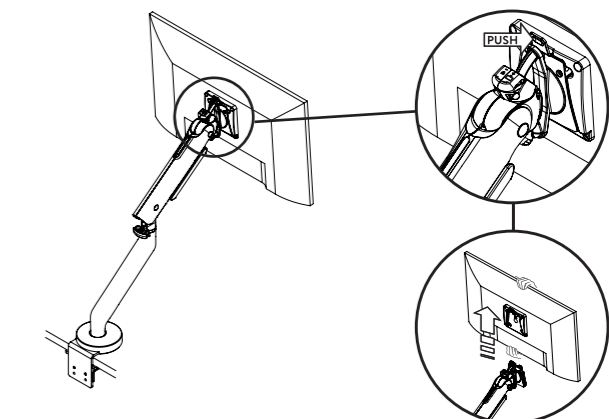


## TO REMOVE MONITOR

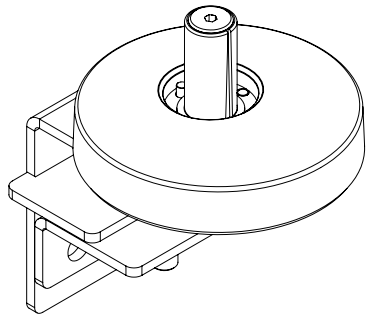
11



**IMPORTANT**  
Raise arm to uppermost position before removing monitor otherwise it may spring up when unloaded.



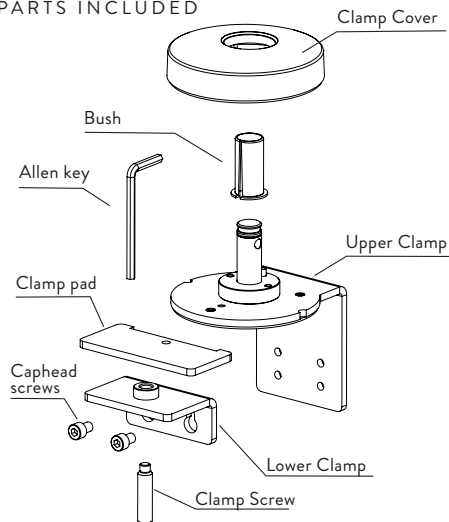
flo<sup>x</sup>



FLO X SPLIT CLAMP

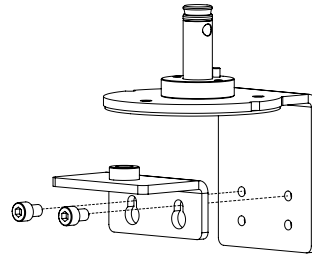
FLX/018/AS01

PARTS INCLUDED



CONFIGURE CLAMP BRACKET

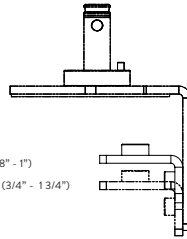
1



If required change the clamp plate setting by removing the screws and adjusting to correct setting

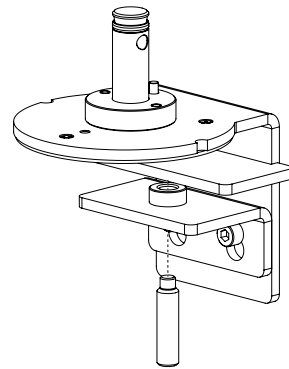
Desk Thickness Range

Setting 1: 9mm - 25mm (3/8" - 1")  
Setting 2: 20mm - 45mm (3/4" - 1 3/4")



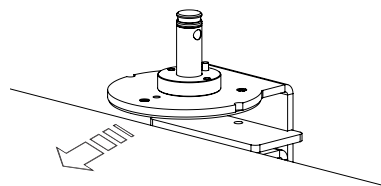
INSTALL CLAMP SCREW AND CLAMP PAD

2



FIT CLAMP TO DESK

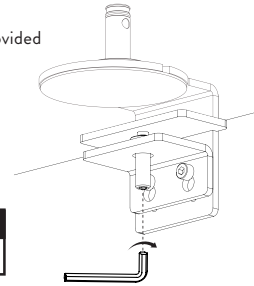
3



TIGHTEN CLAMP SCREW

4

Use Allen Key provided with clamp

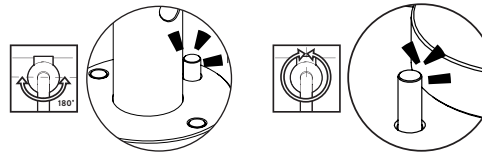


**IMPORTANT NOTE**  
Ensure screw is tightened

CONFIGURE 180° STOP (if required)

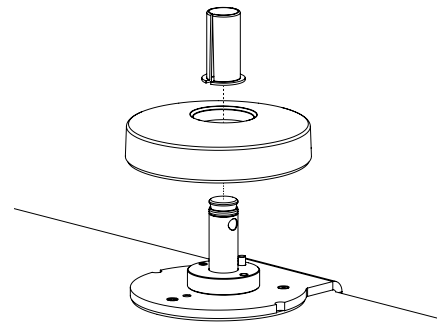
5

A 180° STOP ENGAGED B 360° ROTATION

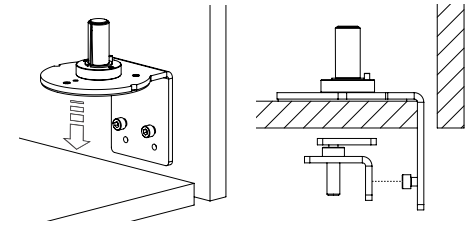


FIT CLAMP COVER AND BUSH

6



ALTERNATIVE INSTALLATION METHODS FOR RESTRICTED GAP AT REAR OF WORK SURFACE



**WARNING**

- Do not use this product for any purpose other than that for which it was designed
- Ensure desk/worksurface is suitable to take the weight of the arm/s and monitors
- Supported weight must not exceed the maximum load per arm
- Take care when installing as fingers could become trapped

**MAINTENANCE AND INSPECTION**

- Ensure all screws are tightened and occasionally adjust if needed
- Ensure arm is pushed fully down onto the clamp before installing the monitor(s)
- Clean with a damp cloth, NO solvents

**DISCLAIMERS**

- The use of power tools, lever bars or excessive force during the installation, or re-configuration of the product will invalidate your guarantee
- Failure to observe the recommendations in the use, and configuration of these products may affect your guarantee
- As a part of Colebrook Bosson Saunders ongoing product improvement programme the design of products may change without prior notice and details may vary from those illustrated

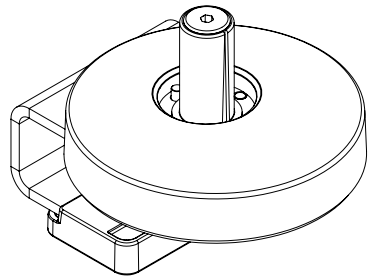
**PATENTS**

Colebrook Bosson Saunders hold a number of patents and other intellectual property rights covering our products and processes. You can find patent information on our website at: [www.colebrookbossonsaunders.com/patents](http://www.colebrookbossonsaunders.com/patents)

Please consider leaving these instructions with the product if further installation may be required by others

FLX-018-AS01-INST-A-SEPT-2022

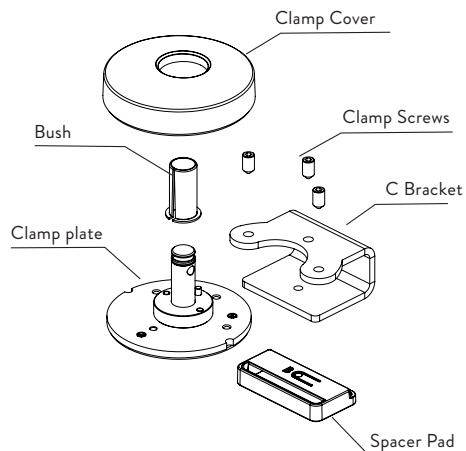
flox



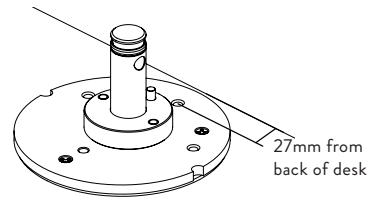
FLO X TOP MOUNT CLAMP

FLX/018/C07

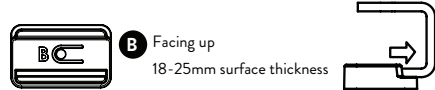
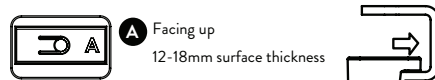
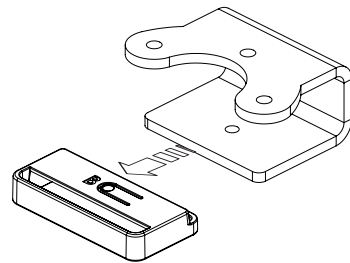
PARTS INCLUDED



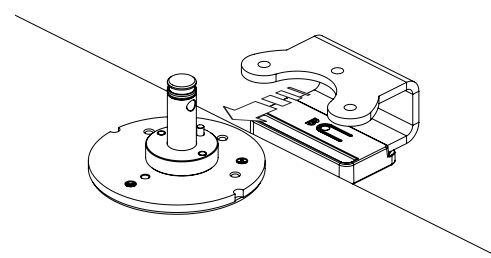
1 POSITION CLAMP PLATE ONTO WORK SURFACE



2 CONFIGURE FOR WORKSURFACE THICKNESS

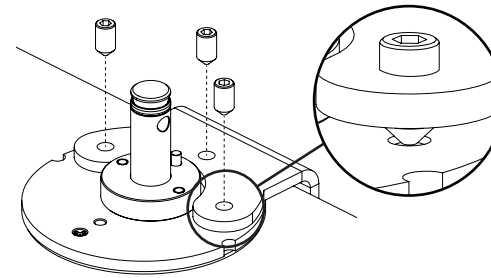


3 FIT C-BRACKET

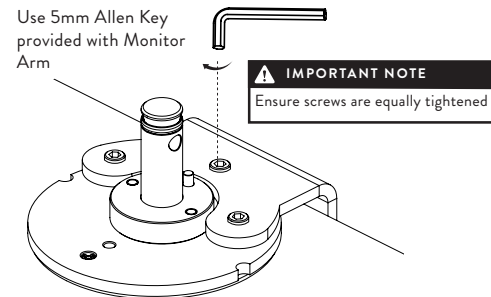


**IMPORTANT NOTE**  
Ensure inside of bracket is flush against back of work surface

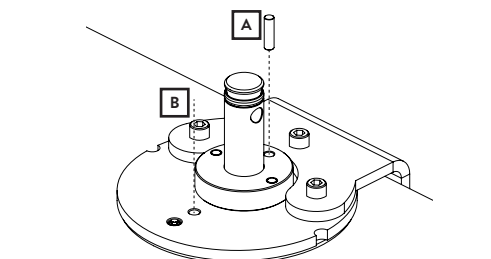
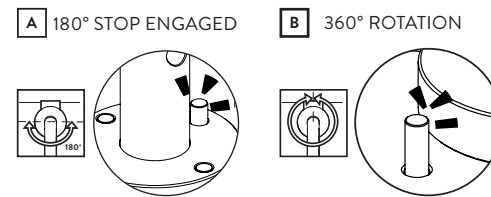
4 FIT CLAMP SCREWS



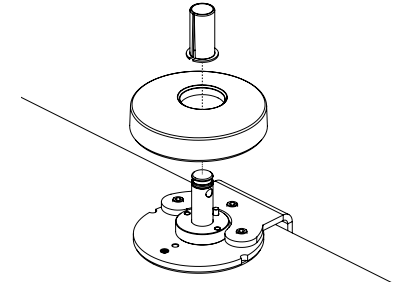
5 FULLY TIGHTEN SCREWS



6 CONFIGURE 180° STOP (if required)



7 FIT CLAMP COVER AND BUSH



**WARNING**

- Do not use this product for any purpose other than that for which it was designed
- Ensure desk/worksurface is suitable to take the weight of the arm/s and monitors
- Supported weight must not exceed the maximum load per arm
- Take care when installing as fingers could become trapped

**MAINTENANCE AND INSPECTION**

- Ensure all screws are tightened and occasionally adjust if needed
- Ensure arm is pushed fully down onto the clamp before installing the monitor(s)
- Clean with a damp cloth, NO solvents

**DISCLAIMERS**

- The use of power tools, lever bars or excessive force during the installation, or re-configuration of the product will invalidate your guarantee
- Failure to observe the recommendations in the use, and configuration of these products may affect your guarantee
- As a part of Colebrook Bosson Saunders ongoing product improvement programme the design of products may change without prior notice and details may vary from those illustrated

**PATENTS**

Colebrook Bosson Saunders hold a number of patents and other intellectual property rights covering our products and processes. You can find patent information on our website at: [www.colebrookbossonsaunders.com/patents](http://www.colebrookbossonsaunders.com/patents)

Please consider leaving these instructions with the product if further installation may be required by others

FLX-018-C07-INST-A-SEPT-2022