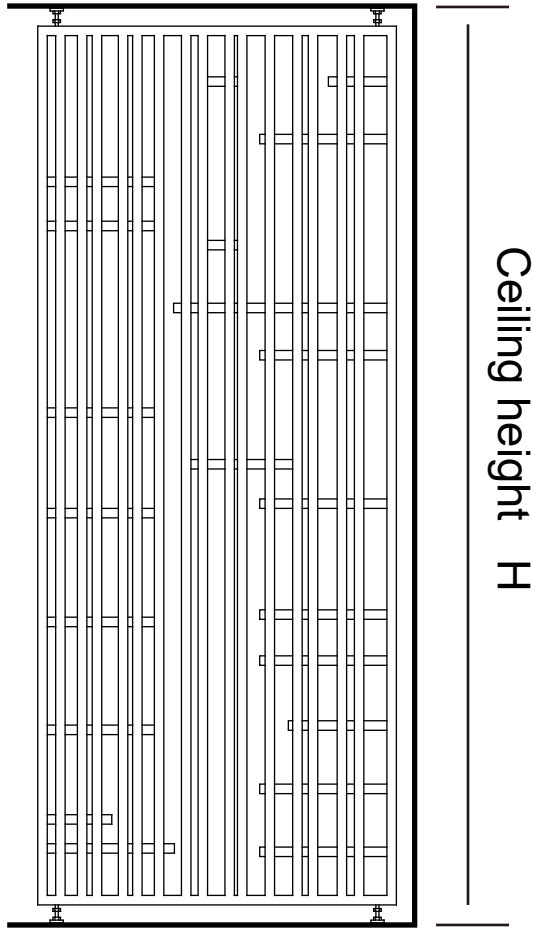
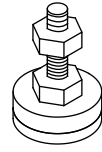


ASSEMBLE INSTRUCTION



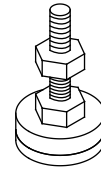
M8x30mm



x4

Total Height:
50mm
Height adjustment interval:
24~40mm

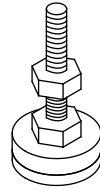
M8x40mm



x4

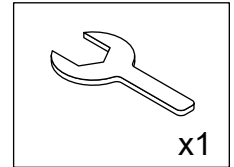
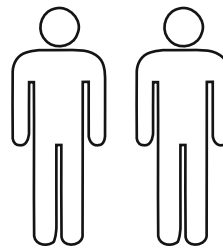
Total Height:
58mm
Height adjustment interval:
28~48mm

M8x60mm



x4

Total Height:
80mm
Height adjustment interval:
50~70mm



x1

Two people required!

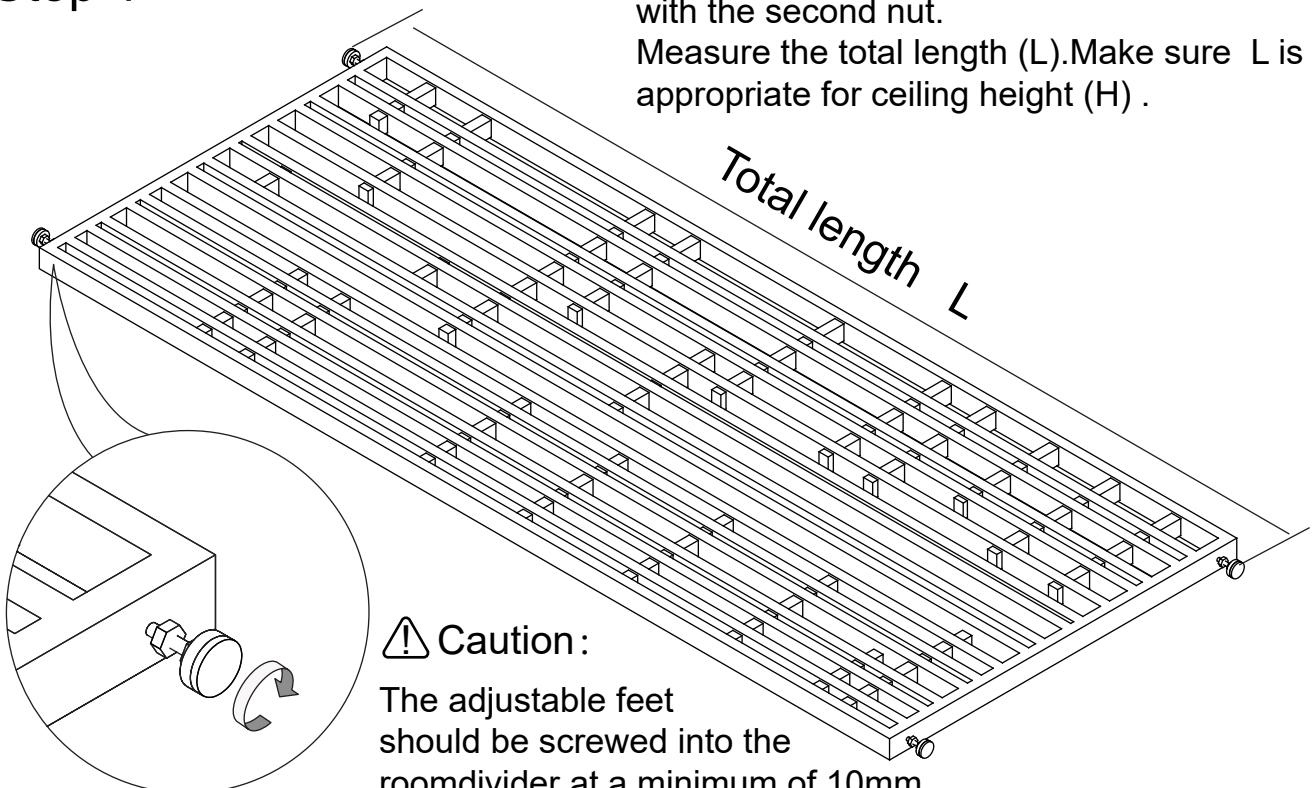


Measure the ceiling height (H) first. Based on the roomdivider height choose the right adjustable feet, to cover the gaps between the ceiling and floor.

Step 1

Screw in the adjustable feet and fix them with the second nut.

Measure the total length (L). Make sure L is appropriate for ceiling height (H).

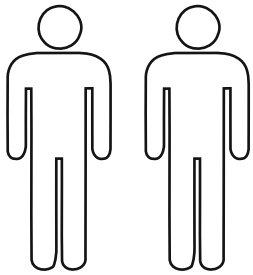


⚠ Caution :

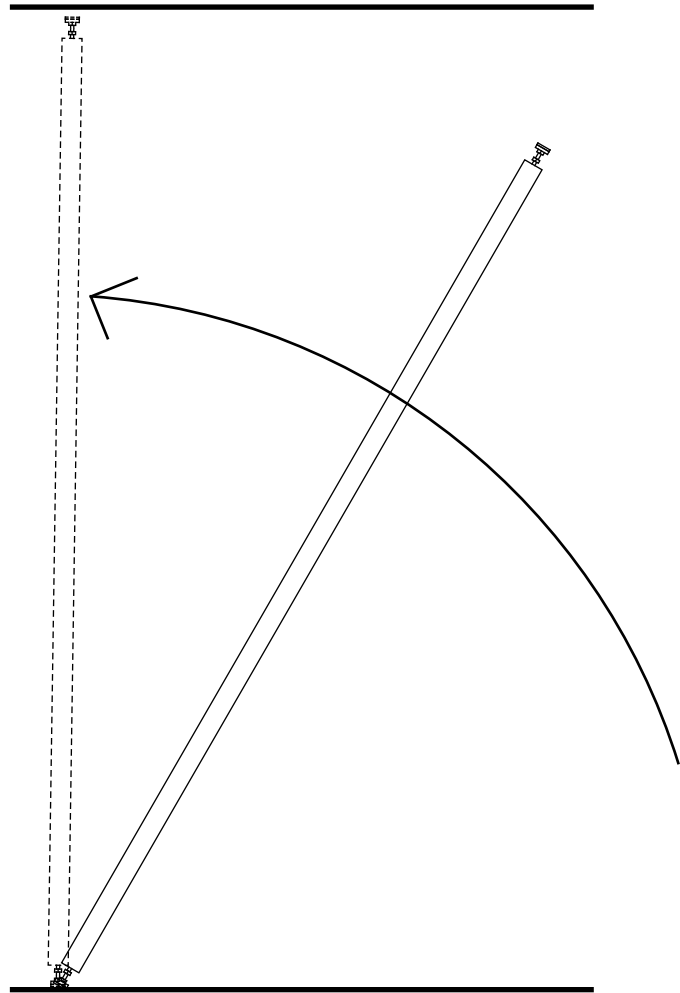
The adjustable feet should be screwed into the roomdivider at a minimum of 10mm

ASSEMBLE INSTRUCTION

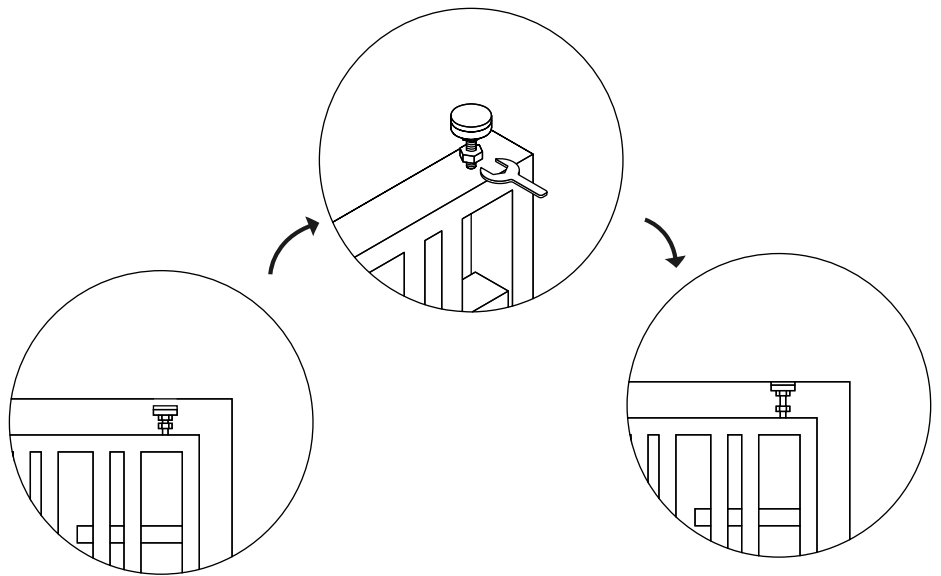
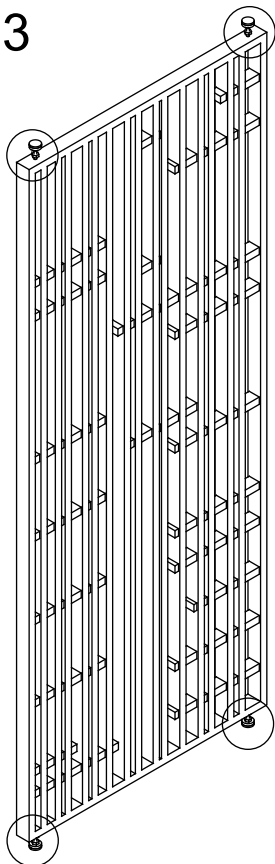
Step 2



Two people required to install the room divider into upright position.



Step 3



Adjust the feet to secure the roomdivider, then fix them all with the second nut