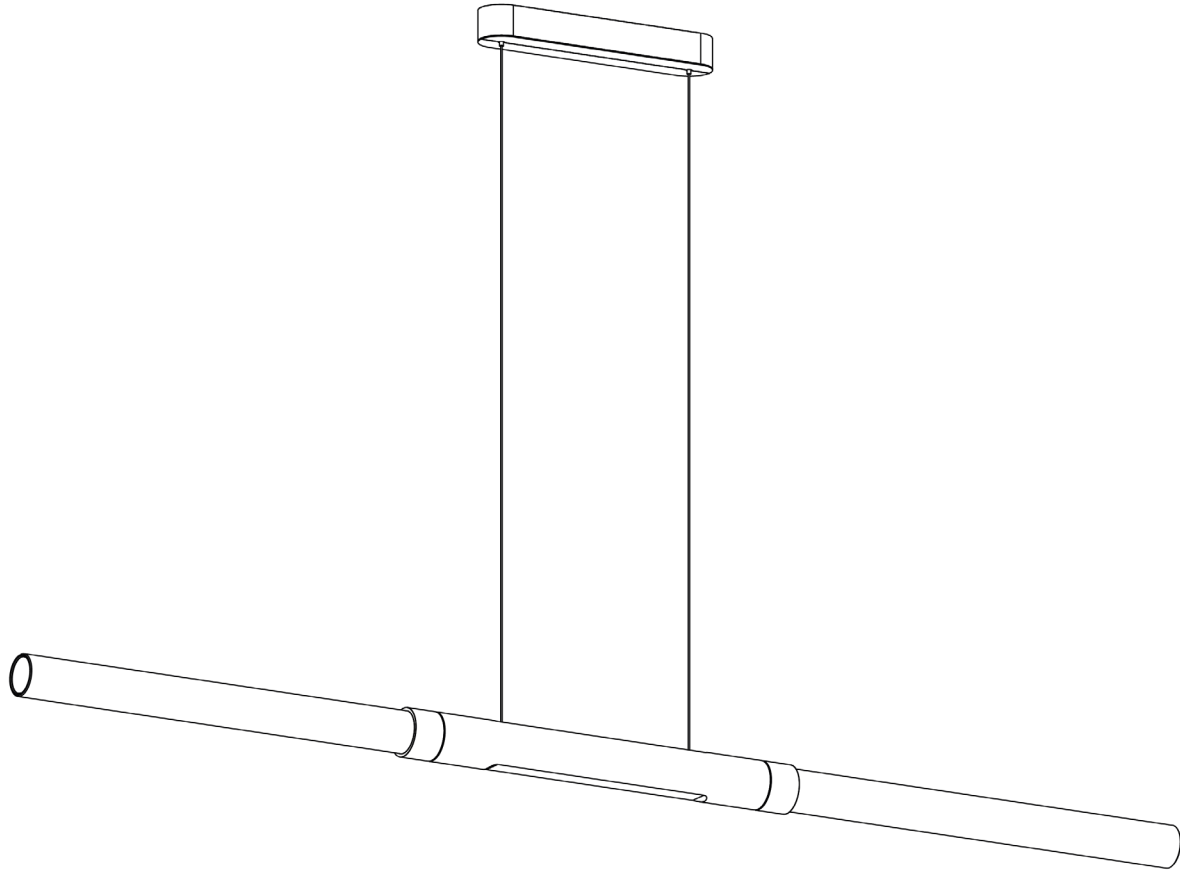


Empty State

Installation Guide



Empty State

Installation Guide

- SCR

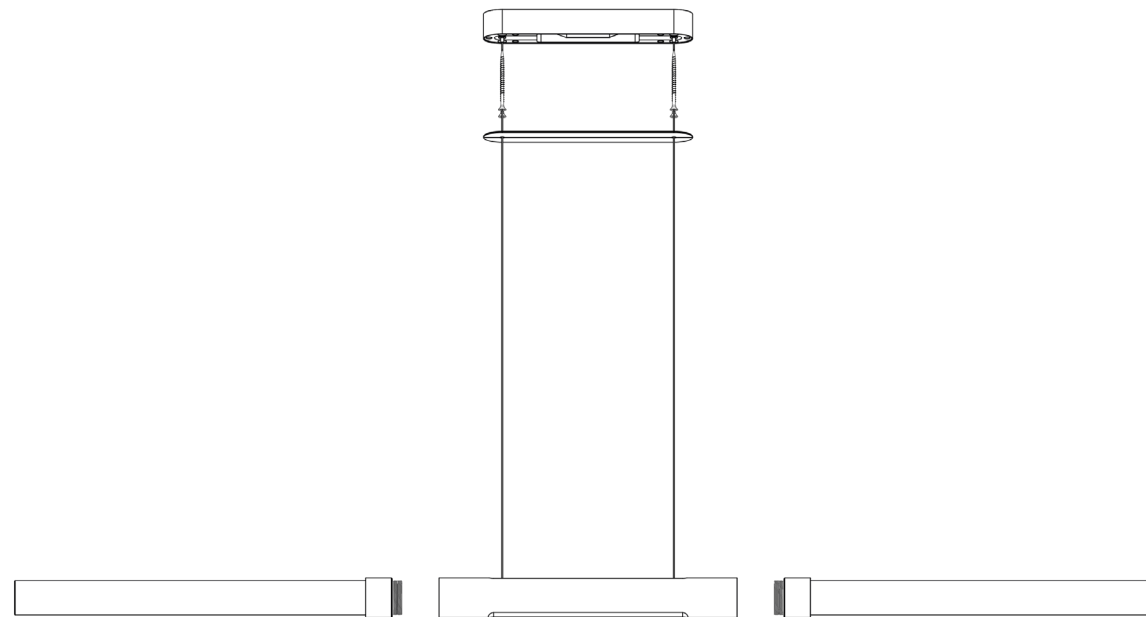
NOTES

Make sure the ceiling is capable of supporting the weight of the light. We recommend you seek the advice of a structural engineer or construction professional.

Fixings not supplied. The appropriate fixing will vary depending on the ceiling substrate, therefore fixings will not be supplied. Please use an appropriate fixing to suit your solution.

Installation should be carried out by a suitably qualified electrician. Access to ceiling void required.

Installation only requires one person, however we would recommend two for best results.



ES-SCR
Ceiling Rose Canopy

5mm Wood Screws
(Fixings Not Included)

Ceiling Rose Plate

Suspension Cables

Sabre & Glass Diffuser Tubes
S06-02 Shown
Your Pendant may differ

Empty State

Installation Guide

Sabre

- SCR

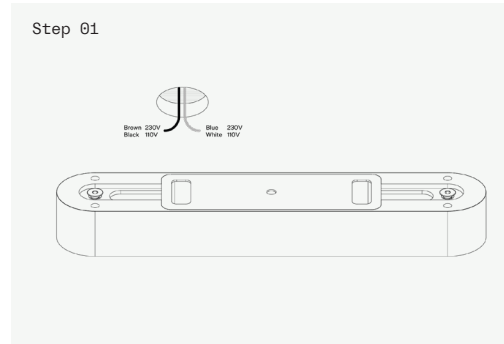
NOTES

Make sure the ceiling is capable of supporting the weight of the light. We recommend you seek the advice of a structural engineer or construction professional.

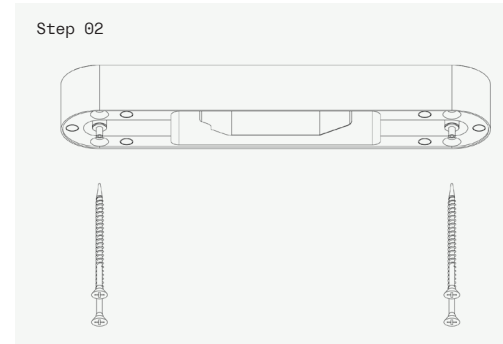
Fixings not supplied. The appropriate fixing will vary depending on the ceiling substrate, therefore fixings will not be supplied. Please use an appropriate fixing to suit your solution.

Installation should be carried out by a suitably qualified electrician. Access to ceiling void required.

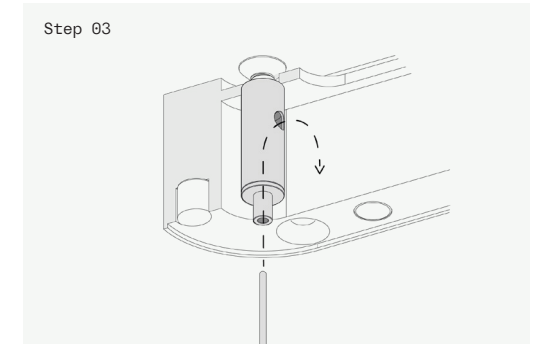
Installation only requires one person, however we would recommend two for best results.



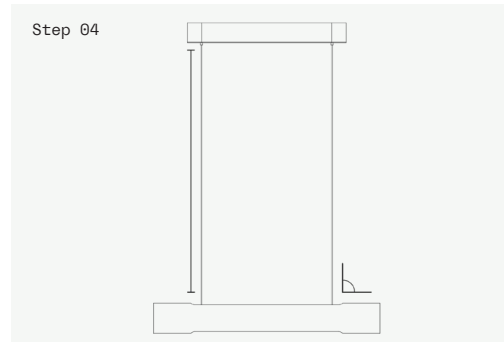
Wire the driver to the mains via the terminal blocks in the driver, making sure they connect to power in.
Note: Align ceiling void hole to driver access point.



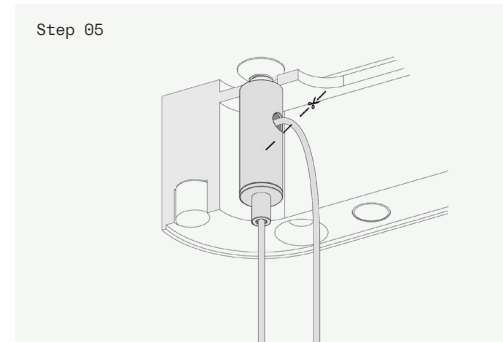
Fix the ceiling rose canopy to the ceiling using 5mm wood screws. Fixings are not provide.
Note: Be sure the screws sit within the counter sink



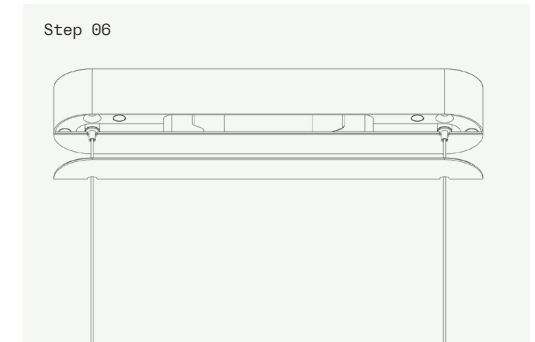
Feed the suspension cables through the cable grips. Do this by pushing the nipple on the cable grip in, then feed the cable though and out the side of the grip. Realising the nipple of the cable grip holds the cable fixing in place.



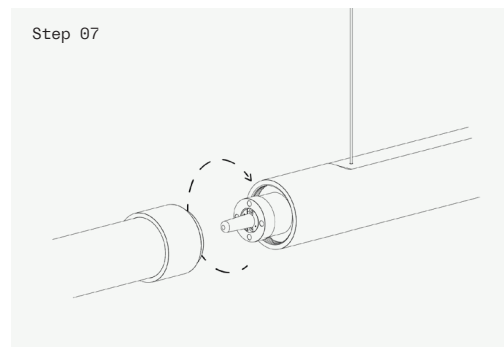
Set the light to you desired height making sure the light is level. You can do this by pulling through and realising the suspension cable through the cable grips.



Once the desired position has been met neatly trim the excess cable with a pair of knipex.



Cover the ceiling rose canopy with the two half's of the cover plates. Be careful not to let the cover-plates touch any part of the wires or cable grips, this could cause the light to short.



Screw the glass diffuser to the main body of the light to finish installation.

Empty State

Installation Guide

- CCR

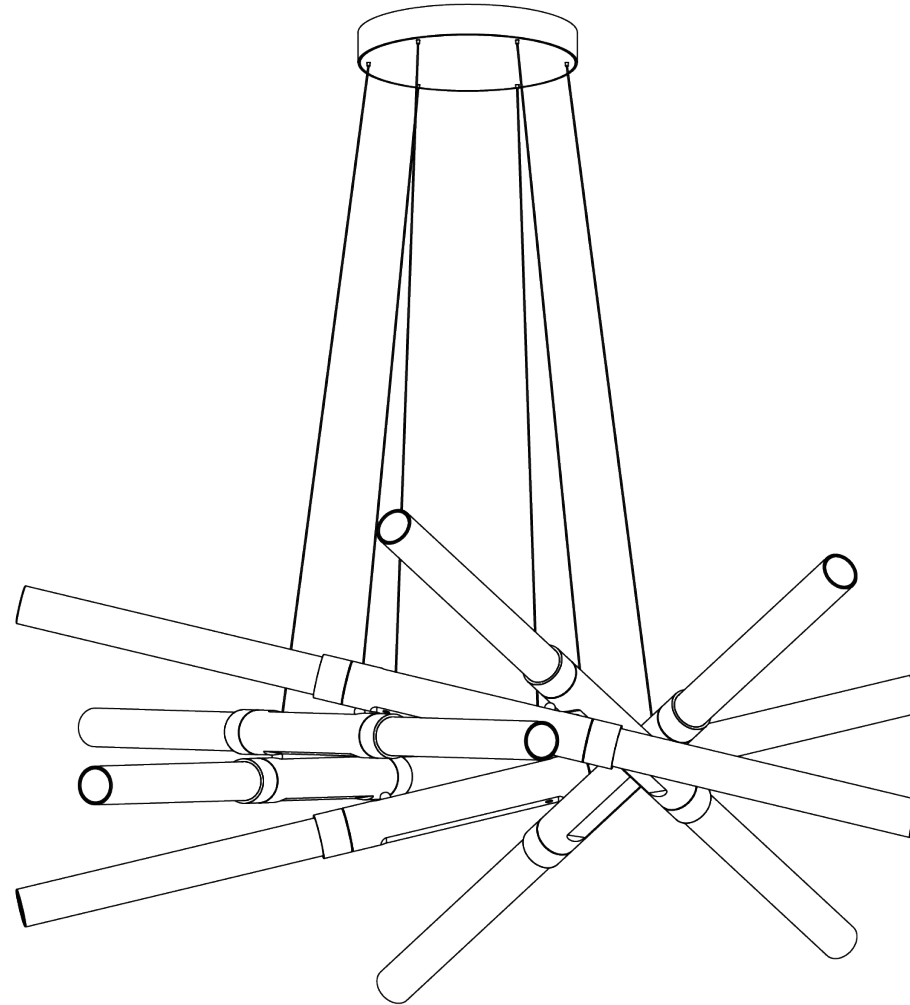
NOTES

Make sure the ceiling is capable of supporting the weight of the light. We recommend you seek the advice of a structural engineer or construction professional.

Fixings not supplied. The appropriate fixing will vary depending on the ceiling substrate, therefore fixings will not be supplied. Please use an appropriate fixing to suit your solution.

Installation should be carried out by a suitably qualified electrician. Access to ceiling void required.

Installation requires two people.



Empty State

Installation Guide

- CCR

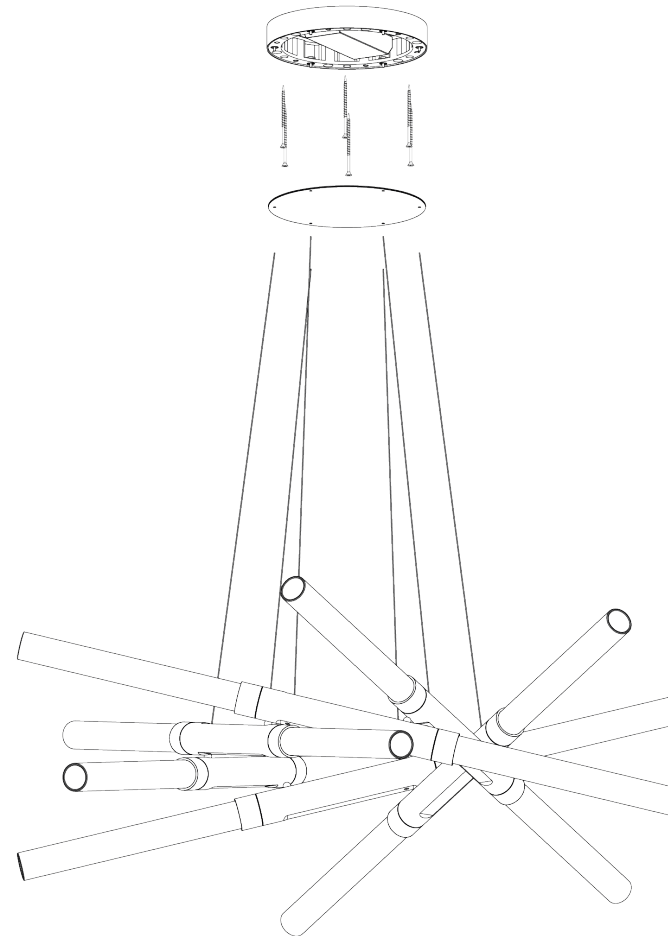
NOTES

Make sure the ceiling is capable of supporting the weight of the light. We recommend you seek the advice of a structural engineer or construction professional.

Fixings not supplied. The appropriate fixing will vary depending on the ceiling substrate, therefore fixings will not be supplied. Please use an appropriate fixing to suit your solution.

Installation should be carried out by a suitably qualified electrician. Access to ceiling void required.

Installation requires two people.



ES-CCR
Ceiling Rose Canopy

5mm Wood Screws
(Fixings Not Included)

Ceiling Rose Plate

Suspension Cables

Sabre Cluster & Glass Diffuser
Tubes
S06-06 Shown
Your Pendant may differ

Empty State

Installation Guide

Sabre Cluster

- CCR

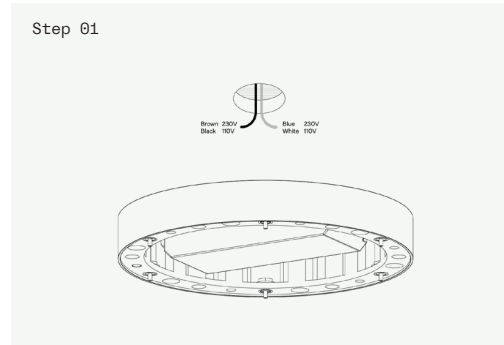
NOTES

Make sure the ceiling is capable of supporting the weight of the light. We recommend you seek the advice of a structural engineer or construction professional.

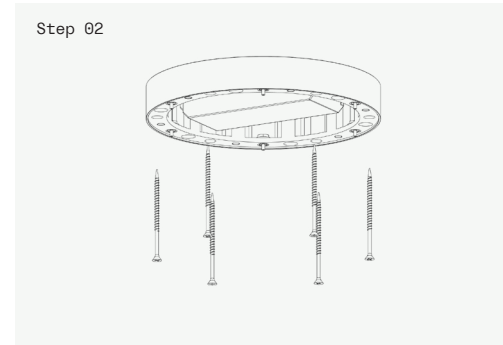
Fixings not supplied. The appropriate fixing will vary depending on the ceiling substrate, therefore fixings will not be supplied. Please use an appropriate fixing to suit your solution.

Installation should be carried out by a suitably qualified electrician. Access to ceiling void required.

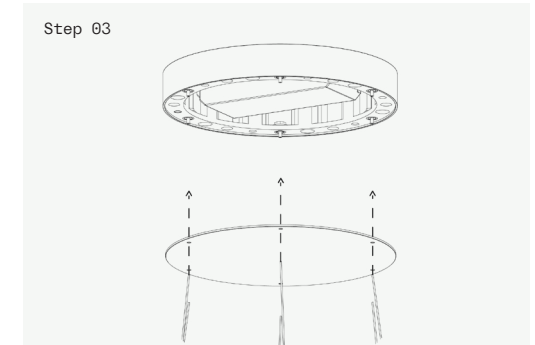
Installation requires two people.



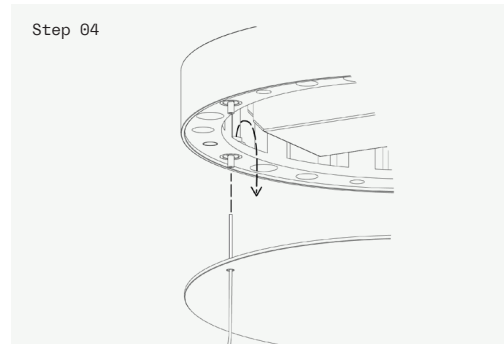
Wire the driver to the mains via the terminal blocks in the driver, making sure they connect to power in.
Note: Align ceiling void hole to driver access point.



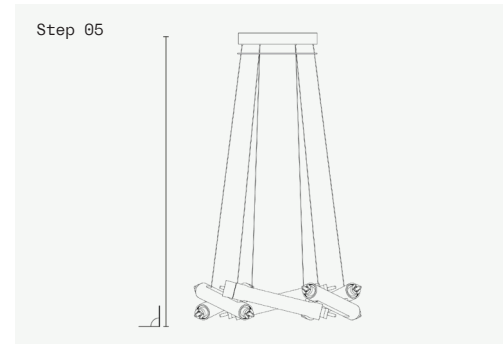
Fix the ceiling rose canopy to the ceiling using 5mm wood screws. Fixings are not provide.
Note: Be sure the screws sit within the counter sink



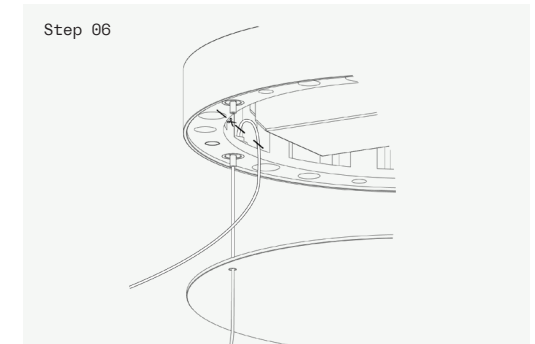
Feed the suspension cables through the cover plate. Start with the first cable and work your way clockwise. Be careful not to tangle the cables.



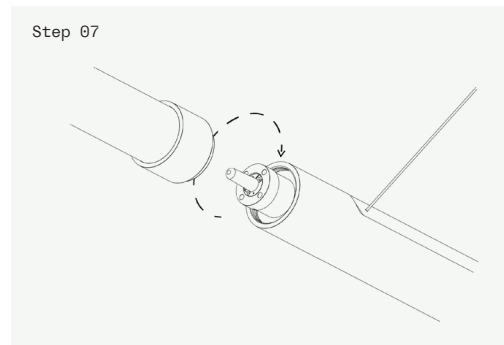
Feed the suspension cables through the cable grips. Do this by pushing the nipple on the cable grip in, then feed the cable through and out the side of the grip. Realising the nipple of the cable grip holds the cable fixing in place.



Set the light to you desired height making sure the light is level. You can do this by pulling through and realising the suspension cable through the cable grips.



Once the desired position has been met neatly trim the excess cable with a pair of knipex. When all cables have been cut carefully slide the cover plate over the cables and fix to canopy. Do not let the cover plate touch any part of the cable grips, this could cause the light to short.



Screw the glass diffuser to the main body of the light to finish installation.