

# Empty State

## Installation Guide

### Pill

#### NOTES

Make sure the ceiling is capable of supporting the weight of the light. We recommend you seek the advice of a structural engineer or construction professional.

Fixings not supplied. The appropriate fixing will vary depending on the ceiling substrate, therefore fixings will not be supplied. Please use an appropriate fixing to suit your solution.

Installation should be carried out by a suitably qualified electrician. Access to ceiling void required.

Installation only requires one person, however we would recommend two for best results.



# Empty State

## Installation Guide

### Pill

- ES-CR

### NOTES

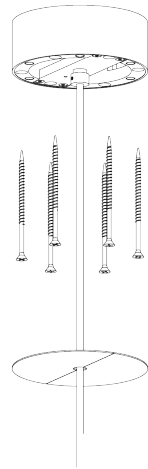
Make sure the ceiling is capable of supporting the weight of the light. We recommend you seek the advice of a structural engineer or construction professional.

Fixings not supplied. The appropriate fixing will vary depending on the ceiling substrate, therefore fixings will not be supplied. Please use an appropriate fixing to suit your solution.

Installation should be carried out by a suitably qualified electrician. Access to ceiling void required.

Installation only requires one person, however we would recommend two for best results.

## Ceiling Rose

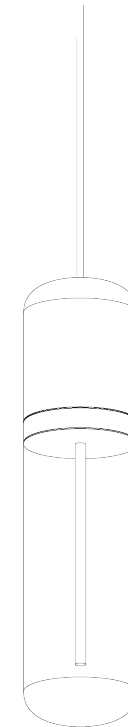


ES-CR  
Ceiling Plate

5mm Wood Screws  
(Fixings Not Included)

Ceiling Rose Cover Plate

## Tier



Chord

Pendant  
S36-01 Shown  
Your Tier may differ

# Empty State

## Installation Guide

### Pill

- ES-CR

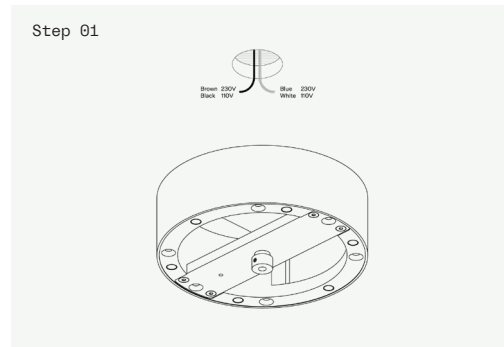
### NOTES

Make sure the ceiling is capable of supporting the weight of the light. We recommend you seek the advice of a structural engineer or construction professional.

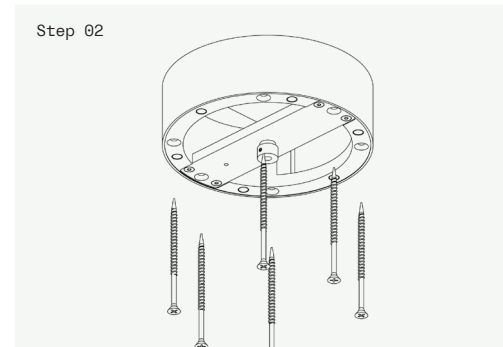
Fixings not supplied. The appropriate fixing will vary depending on the ceiling substrate, therefore fixings will not be supplied. Please use an appropriate fixing to suit your solution.

Installation should be carried out by a suitably qualified electrician. Access to ceiling void required.

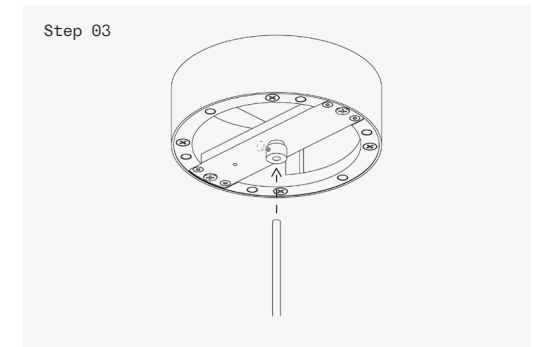
Installation only requires one person, however we would recommend two for best results.



Wire the driver to the mains via the terminal blocks in the driver, making sure they connect to power in.  
Note: Align ceiling void hole to driver access point.



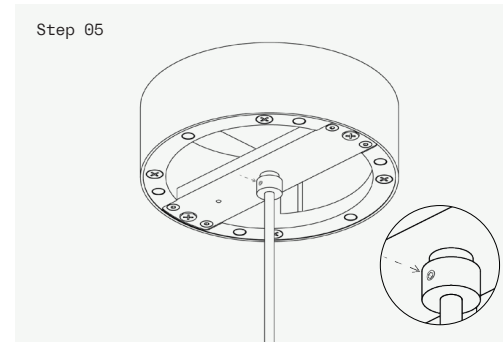
Fix the ceiling rose canopy to the ceiling using 5mm wood screws. Fixings are not provided.  
Note: Be sure the screws sit within the counter sink



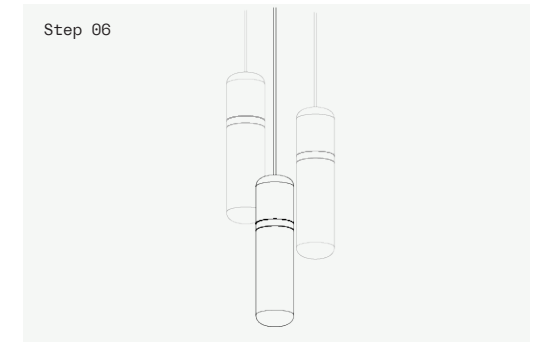
Loosen the grub screw in the side of the chord grip. Be careful not to fully unscrew. Then slide the chord through the grip and back out of the ceiling rose canopy.



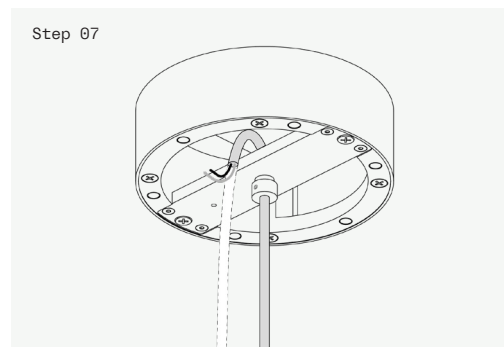
Set the Pill To your desired height.



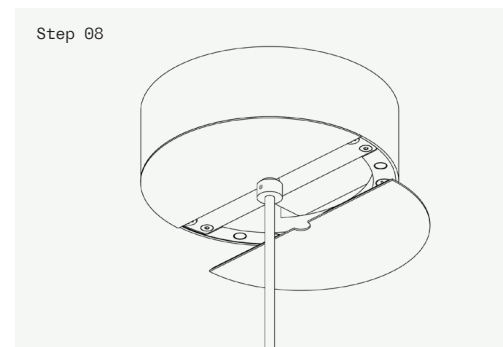
Once the light is at your desired height tighten the grub screw to fix the cable in place. Be careful not to over tighten the grub.



If you are installing multiple Pills we advise you install all ceiling attachments and set the heights before wiring the pendant to the driver.



Cut off the excess cable and strip the cables. Wire these into the driver output via the terminal blocks provided.



Cover the ceiling rose canopy with the two half's of the cover plates.

# Empty State

## Installation Guide

### Pill

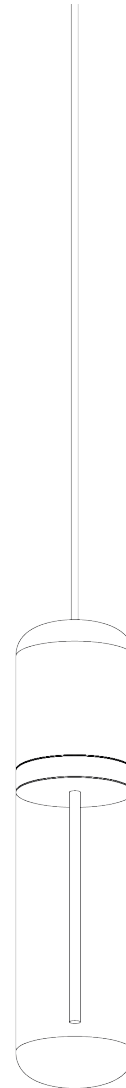
#### NOTES

Make sure the ceiling is capable of supporting the weight of the light. We recommend you seek the advice of a structural engineer or construction professional.

Fixings not supplied. The appropriate fixing will vary depending on the ceiling substrate, therefore fixings will not be supplied. Please use an appropriate fixing to suit your solution.

Installation should be carried out by a suitably qualified electrician. Access to ceiling void required.

Installation only requires one person, however we would recommend two for best results.



# Empty State

## Installation Guide

### Pill

- ES-CRM

### NOTES

Make sure the ceiling is capable of supporting the weight of the light. We recommend you seek the advice of a structural engineer or construction professional.

Fixings not supplied. The appropriate fixing will vary depending on the ceiling substrate, therefore fixings will not be supplied. Please use an appropriate fixing to suit your solution.

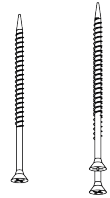
Installation should be carried out by a suitably qualified electrician. Access to ceiling void required.

Installation only requires one person, however we would recommend two for best results.

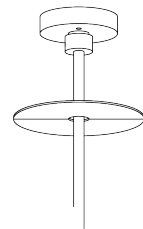
## Ceiling Rose



ES-CRM  
Ceiling Plate



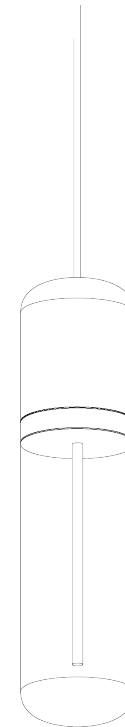
5mm Wood Screws  
(Fixings Not Included)



Drop Rod Collet  
Chord Grip

Ceiling Rose Cover Plate

## Tier



Chord

Pendent  
S36-01 Shown  
Your Tier may differ

# Empty State

## Installation Guide

### Pill

- ES-CRM

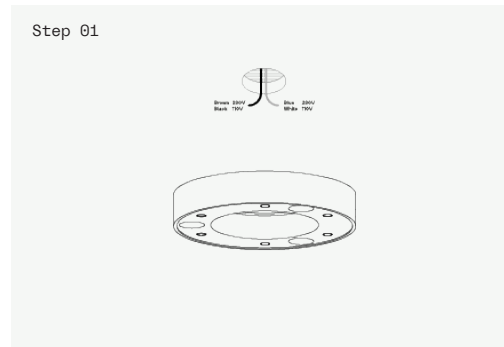
### NOTES

Make sure the ceiling is capable of supporting the weight of the light. We recommend you seek the advice of a structural engineer or construction professional.

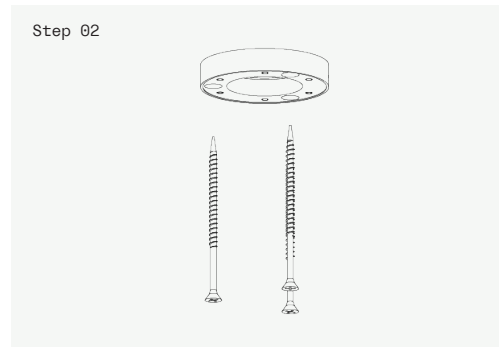
Fixings not supplied. The appropriate fixing will vary depending on the ceiling substrate, therefore fixings will not be supplied. Please use an appropriate fixing to suit your solution.

Installation should be carried out by a suitably qualified electrician. Access to ceiling void required.

Installation only requires one person, however we would recommend two for best results.



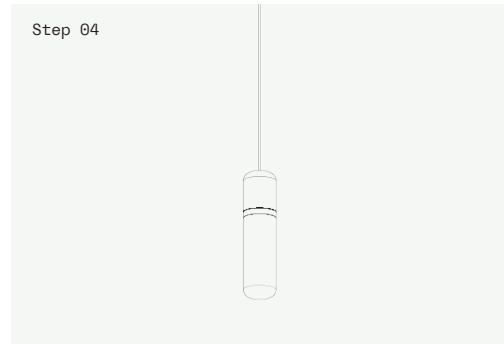
Align the ceiling plate to the access point to the ceiling void and feed the wires through the central hole.



Fix the ceiling plate canopy to the ceiling using three 5mm wood screws. Fixings are not provided.  
Note: Be sure the screws sit within the counter sink



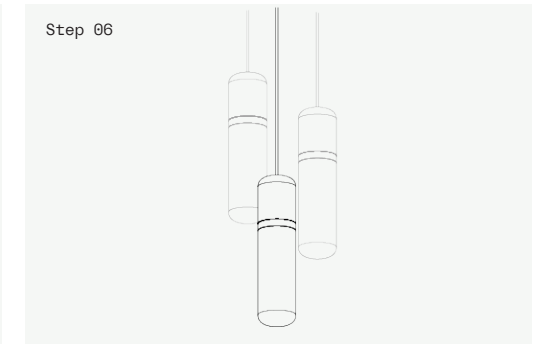
Loosen the grub screw in the side of the cable grip, feed the cable through and set the light to your desired height.  
Note: you will still need to fix the mount collet to the ceiling mount.



Set the Pill To your desired height.



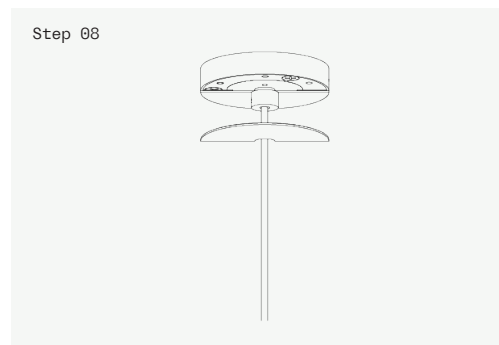
Once the light is at the desired height, fix in place by tightening the grub screw in the side of the cable grip. Then cut the excess cable off and wire the chord to the driver. Driver need to be stored within ceiling void or within 8m of the light.



If you are installing multiple Pills we advise you install all ceiling attachments and set the heights before wiring the pendant to the driver.



Attach the collet to the mount by screwing in the mount collet.  
Note: Use the tool provided to tighten the mount collet in to place.



Cover the ceiling rose canopy with the two halves of the cover plates.