

# Empty State

## Installation Guide

### Light Pipe

#### NOTES

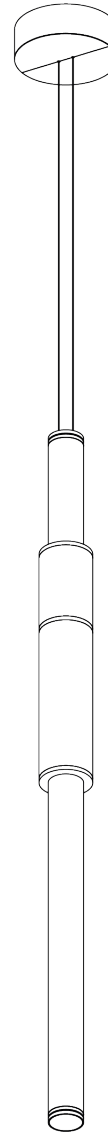
Make sure the ceiling is capable of supporting the weight of the light. We recommend you seek the advice of a structural engineer or construction professional.

Fixings not supplied. The appropriate fixing will vary depending on the ceiling substrate, therefore fixings will not be supplied. Please use an appropriate fixing to suit your solution.

Installation should be carried out by a suitably qualified electrician. Access to ceiling void required.

Installation only requires one person, however we would recommend two for best results.

Always wear protective gloves to prevent and damage / tarnishing to the light.



# Empty State

## Installation Guide

### Light Pipe

- Vertical
- ES-CR

### NOTES

Make sure the ceiling is capable of supporting the weight of the light. We recommend you seek the advice of a structural engineer or construction professional.

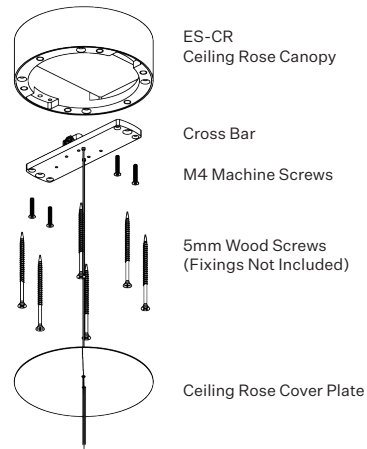
Fixings not supplied. The appropriate fixing will vary depending on the ceiling substrate, therefore fixings will not be supplied. Please use an appropriate fixing to suit your solution.

Installation should be carried out by a suitably qualified electrician. Access to ceiling void required.

Installation only requires one person, however we would recommend two for best results.

Always wear protective gloves to prevent and damage / tarnishing to the light.

## Ceiling Rose



## Pendent



Suspension Cable

Pendent  
S58-02 Shown  
Your Pendent may differ

# Empty State

## Installation Guide

### Light Pipe

- Vertical
- ES-CR

### NOTES

Make sure the ceiling is capable of supporting the weight of the light. We recommend you seek the advice of a structural engineer or construction professional.

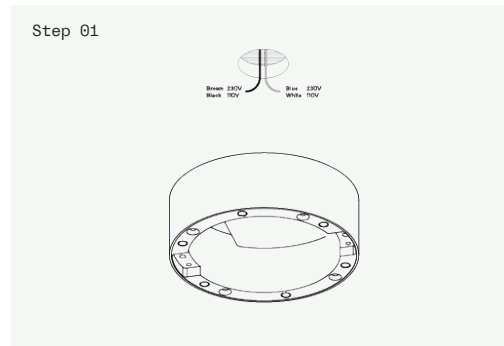
Fixings not supplied. The appropriate fixing will vary depending on the ceiling substrate, therefore fixings will not be supplied. Please use an appropriate fixing to suit your solution.

Installation should be carried out by a suitably qualified electrician. Access to ceiling void required.

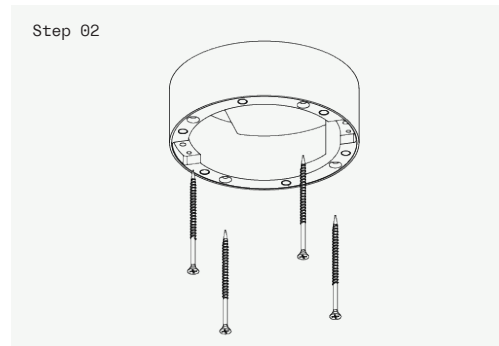
Installation only requires one person, however we would recommend two for best results.

Always wear protective gloves to prevent and damage / tarnishing to the light.

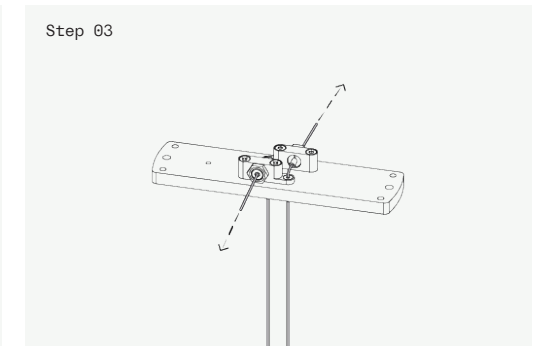
emptystate.com  
technical@emptystate.com



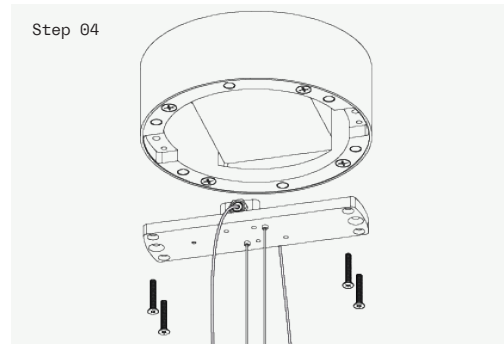
Wire the driver to the mains via the terminal blocks in the driver, making sure they connect to power in.  
Note: Align ceiling void hole to driver access point.



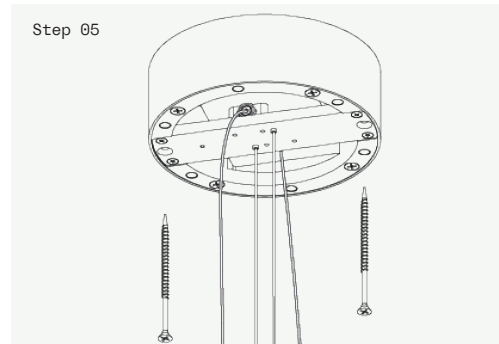
Fix the ceiling rose canopy to the ceiling using the first four 5mm wood screws. Fixings are not provide.  
Note: Be sure the screws sit within the counter sink



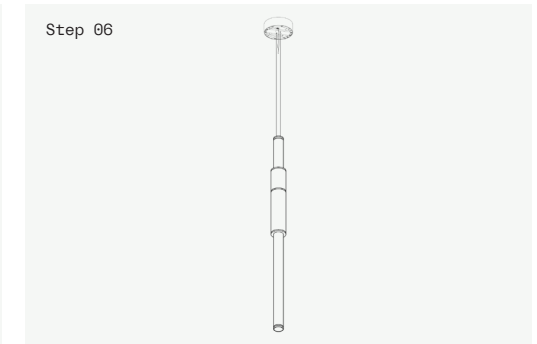
With the cross bar disconnect from the ceiling rose canopy feed the suspension wires up through the nylon holes and into the adjacent cable grip. To open the cable grip press the nipple in to allow the cable through.



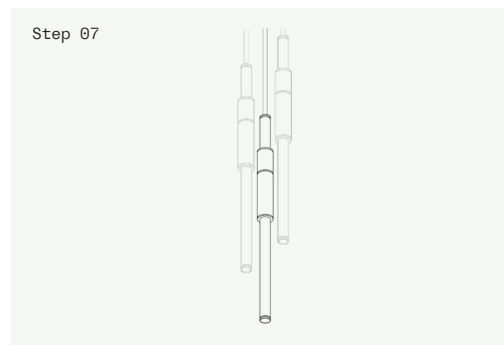
With both suspension cable fed though fix the cross bar to the ceiling rose with the M4 screws provided.



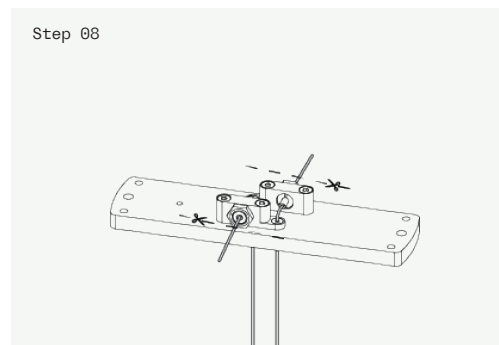
With the two remaining 5mm wood screws finish fixing the ceiling rose to the ceiling



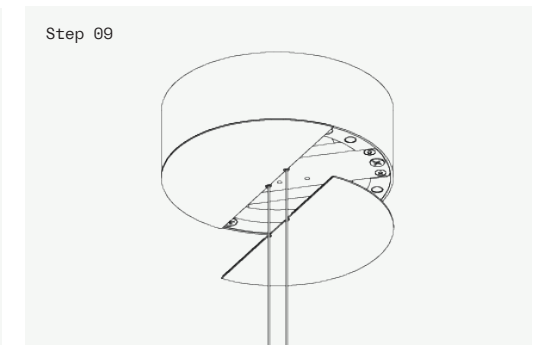
Set the light to the desired height, making sure the light is sitting level. You can set the light buy toggling the suspension cables, pressing the cable grip nipple in to move the cable, and realising to hold it in place.



If you are installing multiple Light Pipes we advise you install all ceiling attachments and set the heights before wiring the pendant to the driver.



Once the light is at your desired height neatly cut the suspension cables down to length using a pair of kinpex.



Cover the ceiling rose canopy with the two half's of the cover plates. Be careful not to let any part of the cover plates touch the cable grips, this may cause the light to short.

# Empty State

## Installation Guide

### Light Pipe

#### NOTES

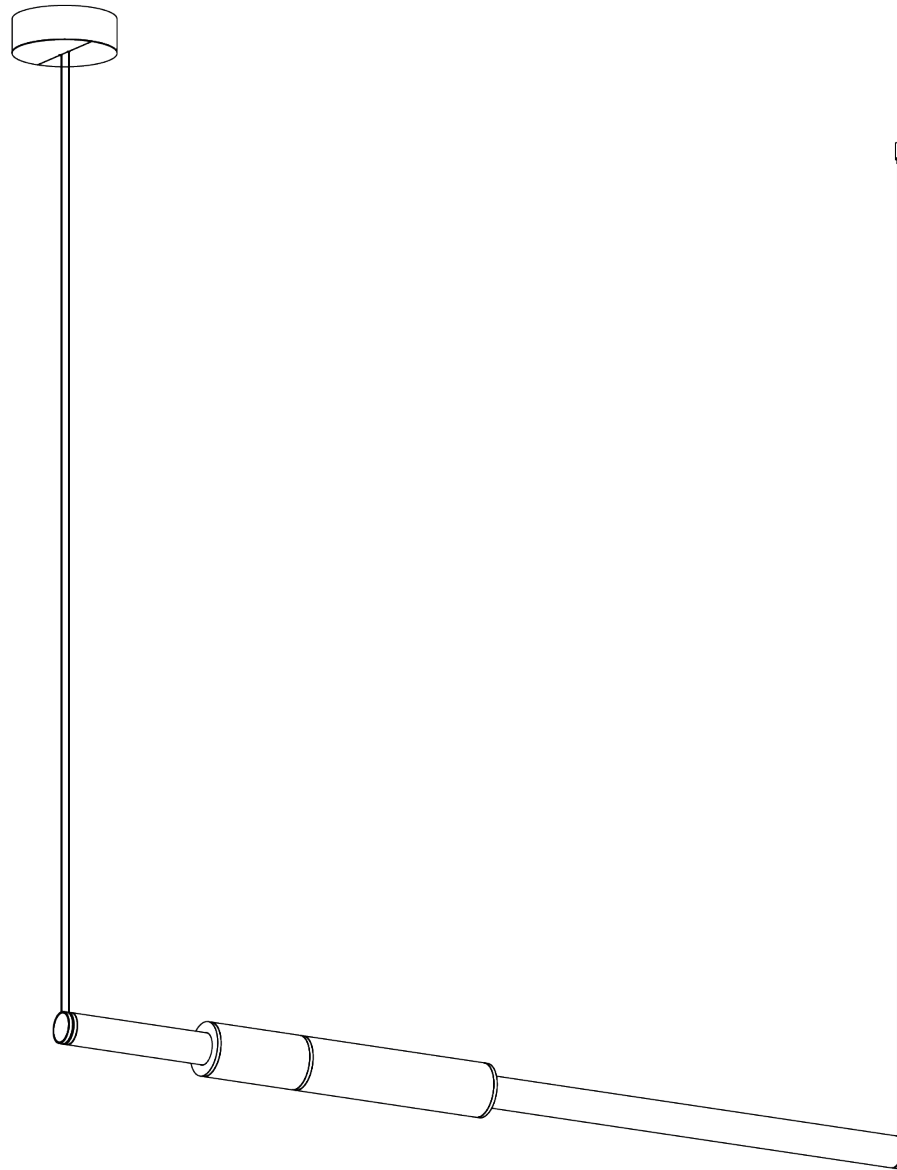
Make sure the ceiling is capable of supporting the weight of the light. We recommend you seek the advice of a structural engineer or construction professional.

Fixings not supplied. The appropriate fixing will vary depending on the ceiling substrate, therefore fixings will not be supplied. Please use an appropriate fixing to suit your solution.

Installation should be carried out by a suitably qualified electrician. Access to ceiling void required.

Installation only requires one person, however we would recommend two for best results.

Always wear protective gloves to prevent and damage / tarnishing to the light.



# Empty State

## Installation Guide

### Light Pipe

- Horizontal
- ES-CR

### NOTES

Make sure the ceiling is capable of supporting the weight of the light. We recommend you seek the advice of a structural engineer or construction professional.

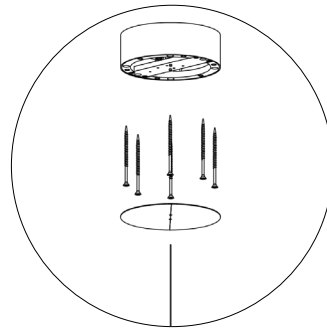
Fixings not supplied. The appropriate fixing will vary depending on the ceiling substrate, therefore fixings will not be supplied. Please use an appropriate fixing to suit your solution.

Installation should be carried out by a suitably qualified electrician. Access to ceiling void required.

Installation only requires one person, however we would recommend two for best results.

Always wear protective gloves to prevent and damage / tarnishing to the light.

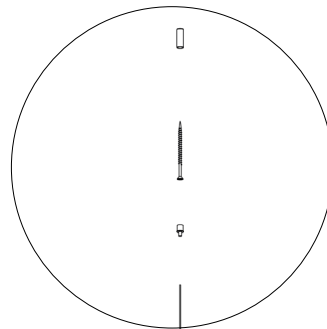
### Ceiling Rose



ES-CR  
Ceiling Rose Canopy

5mm Wood Screws  
(Fixings not included)

Ceiling Rose Cover  
Plates



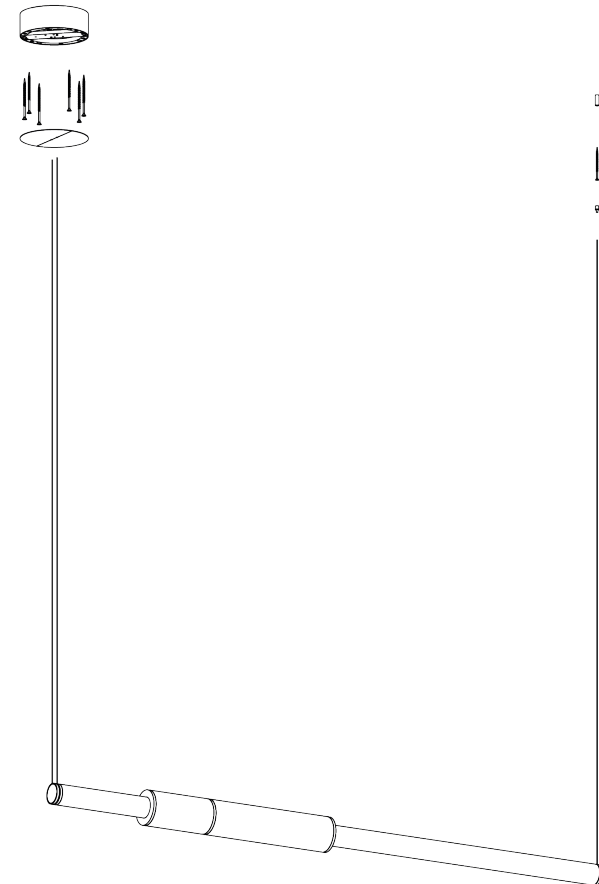
Cable Grip Mount

5mm Wood Screws  
(Fixings not included)

Cable Grip

Suspension Cable

### Pendent



Suspension Cable

Pendent  
S58-04 Shown  
Your Pendent may differ

# Empty State

## Installation Guide

### Light Pipe

- Horizontal
- ES-CR

### NOTES

Make sure the ceiling is capable of supporting the weight of the light. We recommend you seek the advice of a structural engineer or construction professional.

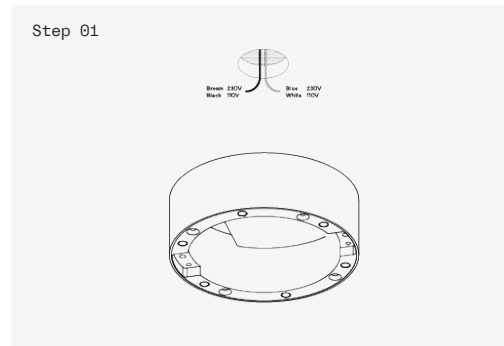
Fixings not supplied. The appropriate fixing will vary depending on the ceiling substrate, therefore fixings will not be supplied. Please use an appropriate fixing to suit your solution.

Installation should be carried out by a suitably qualified electrician. Access to ceiling void required.

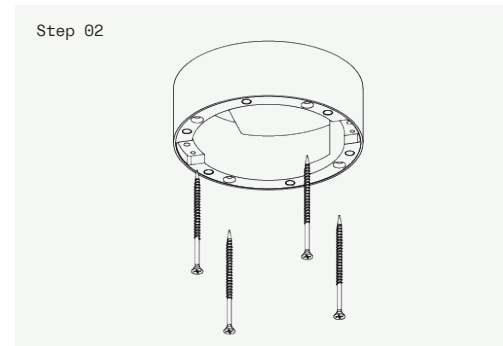
Installation only requires one person, however we would recommend two for best results.

Always wear protective gloves to prevent and damage / tarnishing to the light.

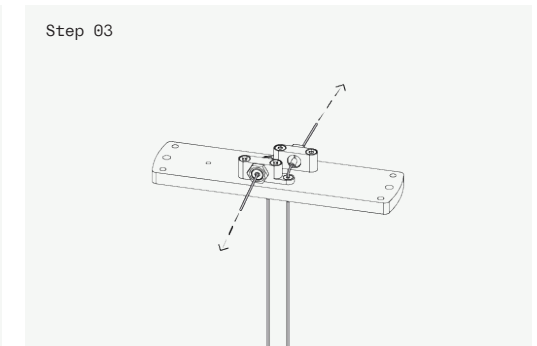
emptystate.com  
technical@emptystate.com



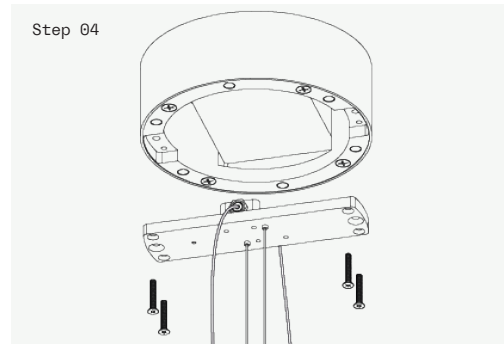
Wire the driver to the mains via the terminal blocks in the driver, making sure they connect to power in.  
Note: Align ceiling void hole to driver access point.



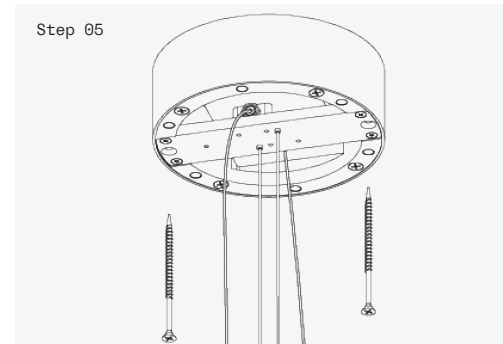
Fix the ceiling rose canopy to the ceiling using the first four 5mm wood screws. Fixings are not provide.  
Note: Be sure the screws sit within the counter sink



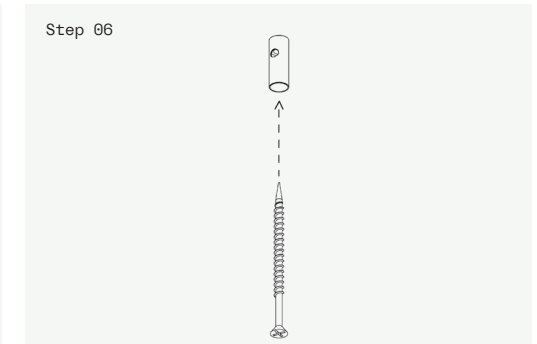
With the cross bar disconnect from the ceiling rose canopy feed the suspension wires up through the nylon holes and into the adjacent cable grip. To open the cable grip press the nipple in to allow the cable through.



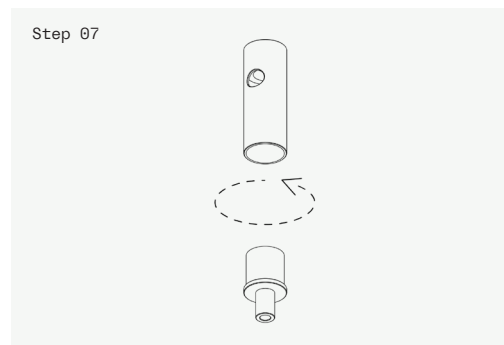
With both suspension cable fed through fix the cross bar to the ceiling rose with the M4 screws provided.  
Note: Leave enough slack on the cables to help install the second ceiling fixing.



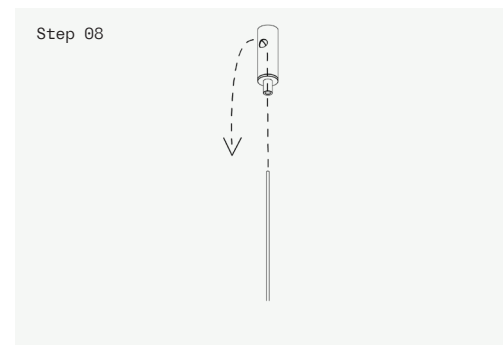
With the two remaining 5mm wood screws finish fixing the ceiling rose to the ceiling



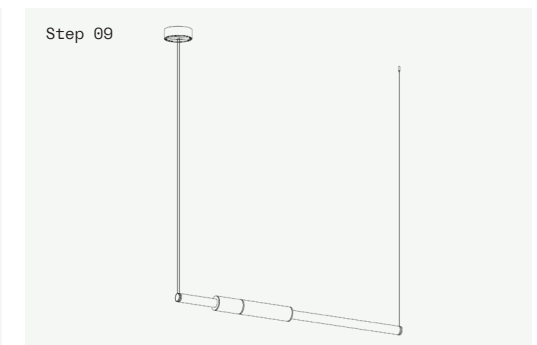
Fix the single grip ceiling mount to the ceiling using a 4mm wood screw following the layout guide. Fixings are not provide.



Screw in the cable grip provided into the cable grip ceiling mount.



Feed The suspension cable through the cable grip and out through the access hole on the side of the grip ceiling mount. To open the cable grip press the nipple in to allow the cable through.



With both suspension cables fed through raise the pendant up into place and set at your desired height. Make sure the light is sitting level.

# Empty State

## Installation Guide

### Light Pipe

- Horizontal
- ES-CR

### NOTES

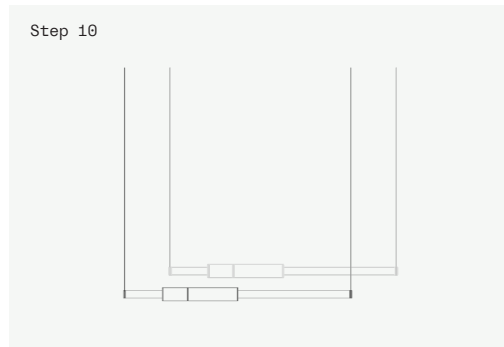
Make sure the ceiling is capable of supporting the weight of the light. We recommend you seek the advice of a structural engineer or construction professional.

Fixings not supplied. The appropriate fixing will vary depending on the ceiling substrate, therefore fixings will not be supplied. Please use an appropriate fixing to suit your solution.

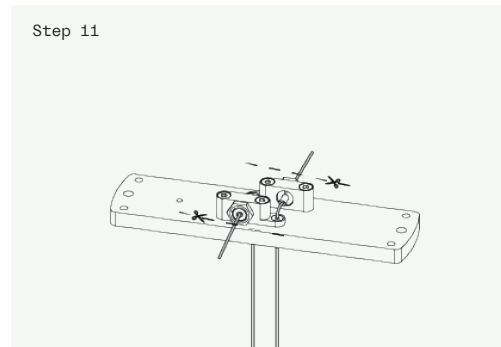
Installation should be carried out by a suitably qualified electrician. Access to ceiling void required.

Installation only requires one person, however we would recommend two for best results.

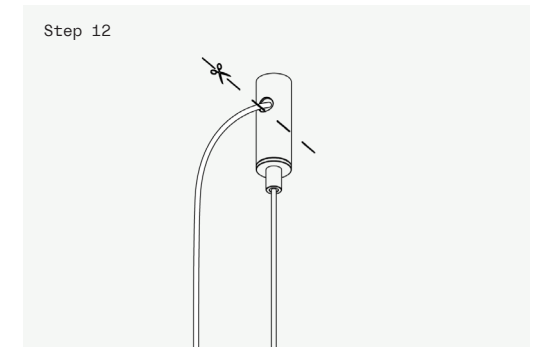
Always wear protective gloves to prevent and damage / tarnishing to the light.



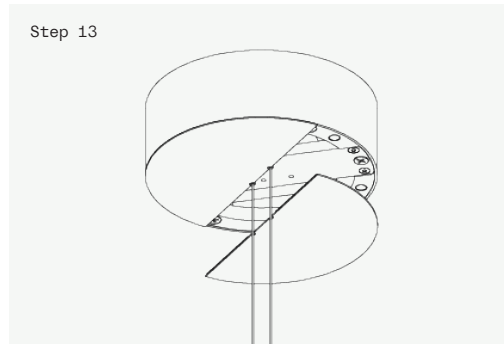
If you are installing multiple Light Pipes we advise you install all ceiling attachments and set the heights before wiring the pendant to the driver and cutting the excess cables down.



Once the light is at your desired height neatly cut the suspension cables down to length using a pair of kinpex.



Remember to cut both suspension cables.



Cover the ceiling rose canopy with the two half's of the cover plates. Be careful not to let any part of the cover plates touch the cable grips, this may cause the light to short.

# Empty State

## Installation Guide

### Light Pipe

#### NOTES

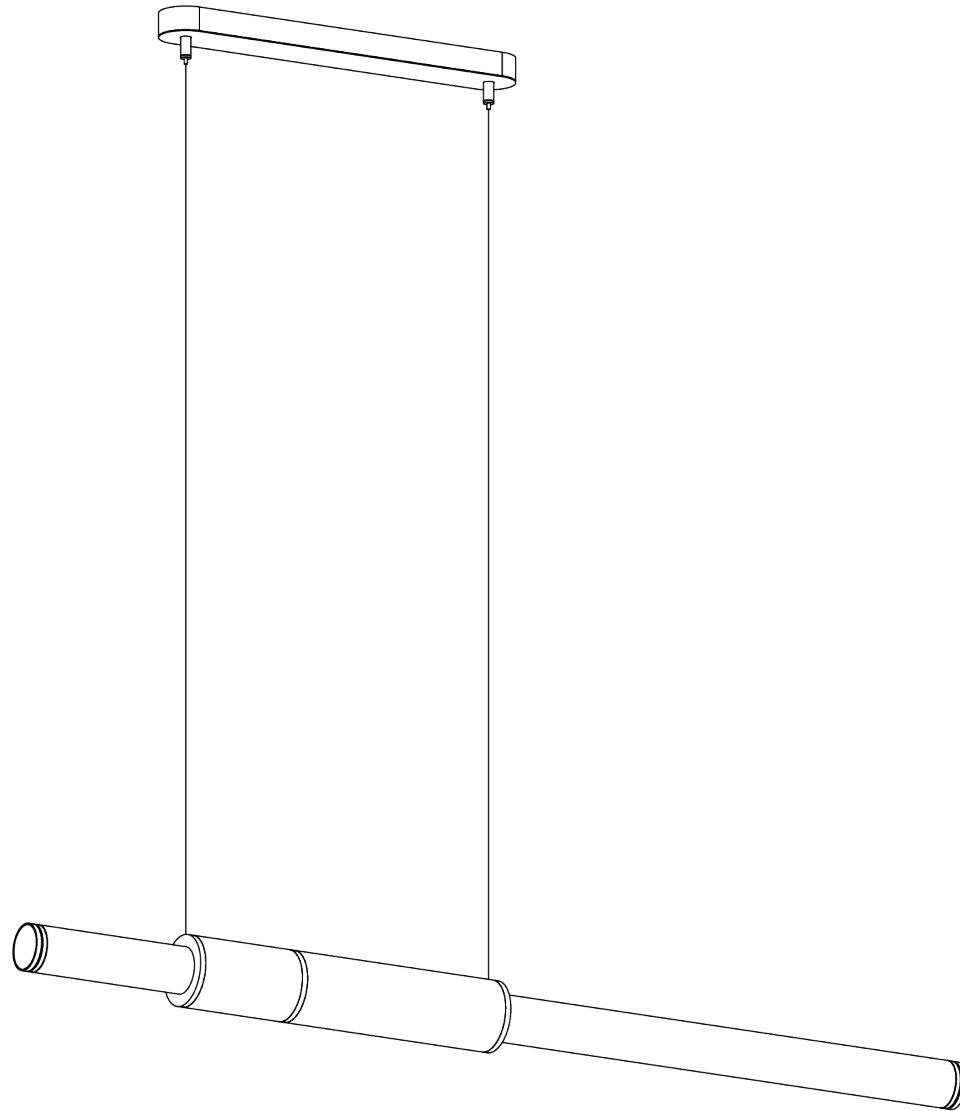
Make sure the ceiling is capable of supporting the weight of the light. We recommend you seek the advice of a structural engineer or construction professional.

Fixings not supplied. The appropriate fixing will vary depending on the ceiling substrate, therefore fixings will not be supplied. Please use an appropriate fixing to suit your solution.

Installation should be carried out by a suitably qualified electrician. Access to ceiling void required.

Installation only requires one person, however we would recommend two for best results.

Always wear protective gloves to prevent and damage / tarnishing to the light.





# Empty State

## Installation Guide

### Light Pipe

- Horizontal
- ES-CR

### NOTES

Make sure the ceiling is capable of supporting the weight of the light. We recommend you seek the advice of a structural engineer or construction professional.

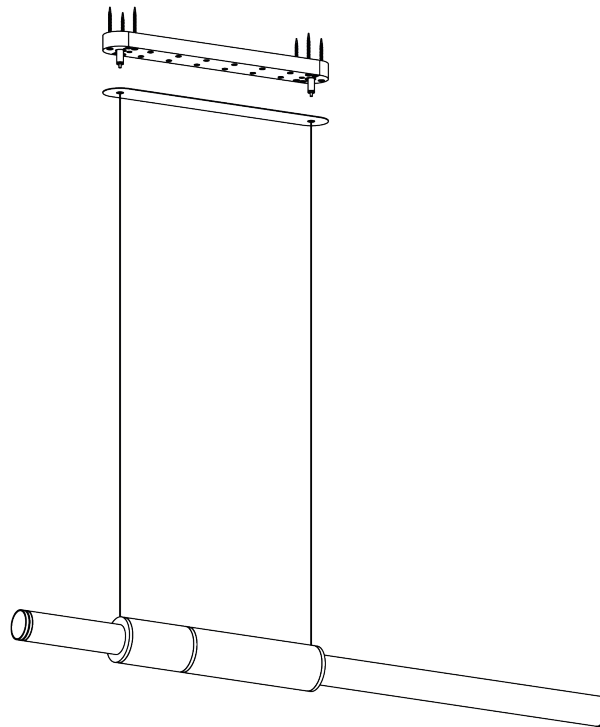
Fixings not supplied. The appropriate fixing will vary depending on the ceiling substrate, therefore fixings will not be supplied. Please use an appropriate fixing to suit your solution.

Installation should be carried out by a suitably qualified electrician. Access to ceiling void required.

Installation only requires one person, however we would recommend two for best results.

Always wear protective gloves to prevent and damage / tarnishing to the light.

## Pendent



5mm Wood Screws  
Fixings not included  
Ceiling Rose Canopy

Ceiling Rose Cover Plate

Suspension Cable

Pendent  
S58-04 Shown  
Your Pendent may differ

# Empty State

## Installation Guide

### Light Pipe

- Horizontal
- ES-CR

### NOTES

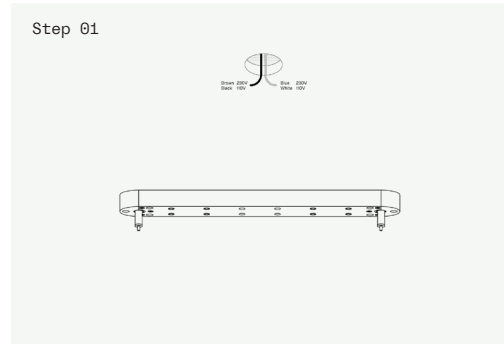
Make sure the ceiling is capable of supporting the weight of the light. We recommend you seek the advice of a structural engineer or construction professional.

Fixings not supplied. The appropriate fixing will vary depending on the ceiling substrate, therefore fixings will not be supplied. Please use an appropriate fixing to suit your solution.

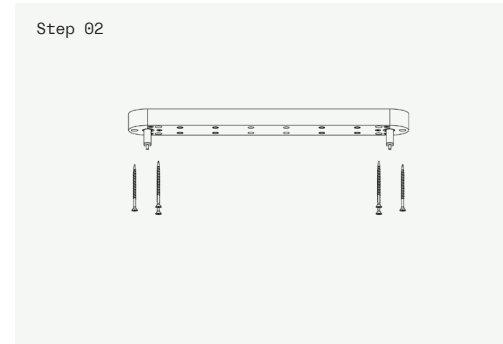
Installation should be carried out by a suitably qualified electrician. Access to ceiling void required.

Installation only requires one person, however we would recommend two for best results.

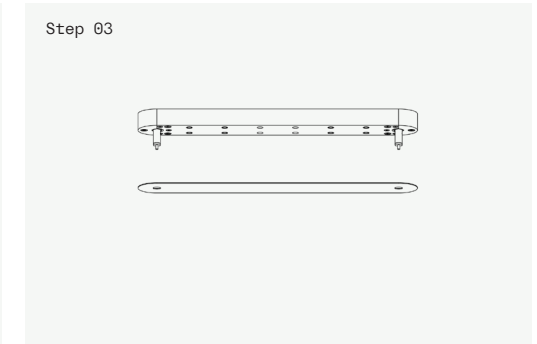
Always wear protective gloves to prevent and damage / tarnishing to the light.



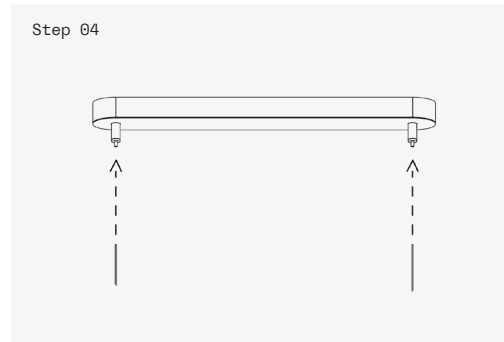
Wire the driver to the mains via the terminal blocks in the driver, making sure they connect to power in.  
Note: Align ceiling void hole to driver access point.



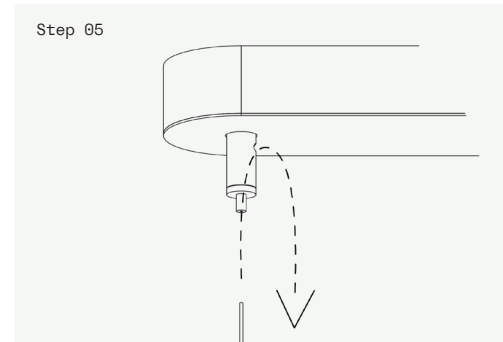
Fix the ceiling rose canopy to the ceiling using six 5mm wood screws. Fixings are not provide.  
Note: Be sure the screws sit within the counter sink



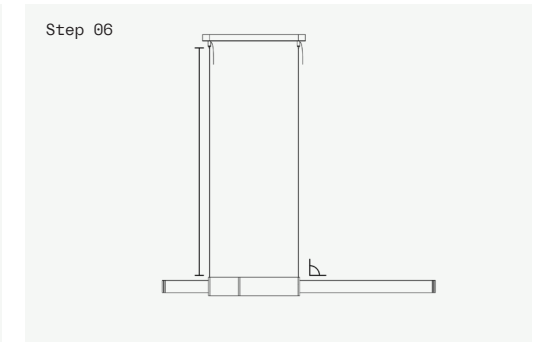
To finish installing the ceiling rose canopy add the Cover Plate. Be careful not to let the cover plate touch any part of the cable grips. This may cause the light to short.



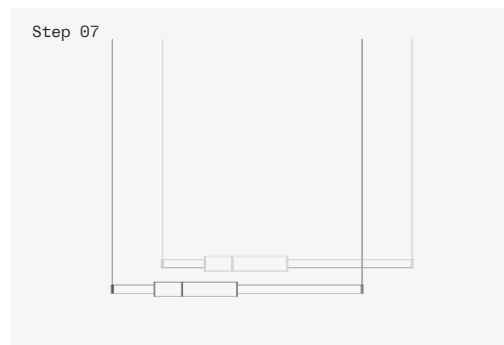
Feed the suspension cables through the cable grips. Be careful not to let the suspension cables touch any part of the cover plate. This may cause the light to short.



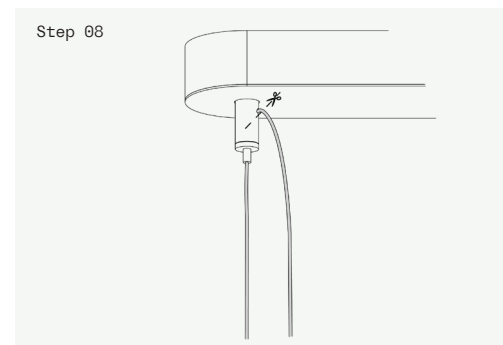
Feed The suspension cable though the cable grip and out through the access hole on the side of the grip ceiling mount. To open the cable grip press the nipple in to allow the cable though.



Set the light to your desired height, making sure the light is hanging level.



If you are installing multiple Light Pipes we advise you install all ceiling attachments and set the heights before wiring the pendant to the driver.



Once the light is at the desired height neatly cut the suspension cables down to length, pushing the excess back in to the void inside the cable grip.

# Empty State

## Installation Guide

### Light Pipe

#### NOTES

Make sure the ceiling is capable of supporting the weight of the light. We recommend you seek the advice of a structural engineer or construction professional.

Fixings not supplied. The appropriate fixing will vary depending on the ceiling substrate, therefore fixings will not be supplied. Please use an appropriate fixing to suit your solution.

Installation should be carried out by a suitably qualified electrician. Access to ceiling void required.

Installation only requires one person, however we would recommend two for best results.

Always wear protective gloves to prevent and damage / tarnishing to the light.



# Empty State

## Installation Guide

### Light Pipe

- Vertical
- ES-CRL

### NOTES

Make sure the ceiling is capable of supporting the weight of the light. We recommend you seek the advice of a structural engineer or construction professional.

Fixings not supplied. The appropriate fixing will vary depending on the ceiling substrate, therefore fixings will not be supplied. Please use an appropriate fixing to suit your solution.

Installation should be carried out by a suitably qualified electrician. Access to ceiling void required.

Installation only requires one person, however we would recommend two for best results.

Always wear protective gloves to prevent and damage / tarnishing to the light.

## Ceiling Rose



ES-CRL  
Ceiling Plate

5mm Wood Screws  
(Fixings not included)

Driver

Ceiling Rose Tube

Cable Grips

Grip Cover Tube

Ceiling Rose Cover Plates

## Pendent



Suspension Cable

Pendant  
S58-02 Shown  
Your Pendant may differ

# Empty State

## Installation Guide

### Light Pipe

- Vertical
- ES-CRL

### NOTES

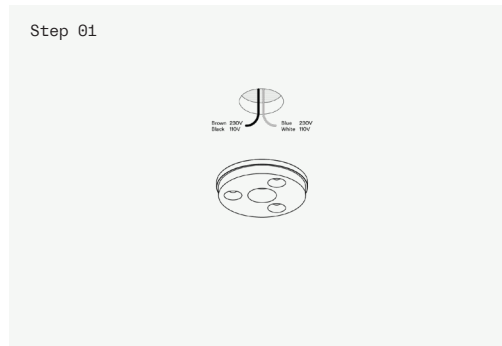
Make sure the ceiling is capable of supporting the weight of the light. We recommend you seek the advice of a structural engineer or construction professional.

Fixings not supplied. The appropriate fixing will vary depending on the ceiling substrate, therefore fixings will not be supplied. Please use an appropriate fixing to suit your solution.

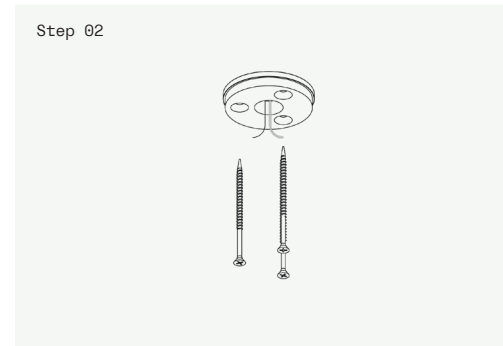
Installation should be carried out by a suitably qualified electrician. Access to ceiling void required.

Installation only requires one person, however we would recommend two for best results.

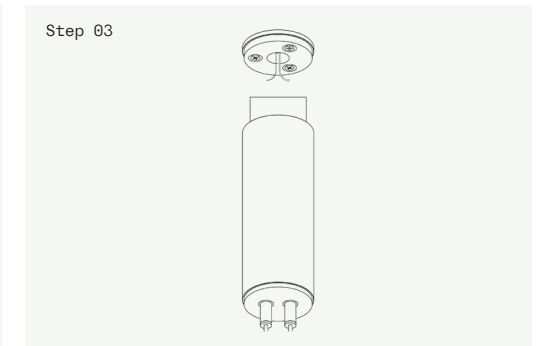
Always wear protective gloves to prevent and damage / tarnishing to the light.



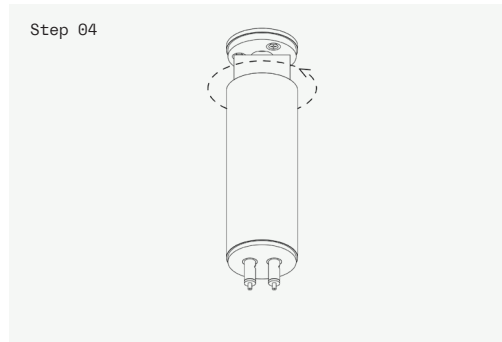
Align the ceiling plate to the access point to the ceiling void and feed the wires through the central hole.



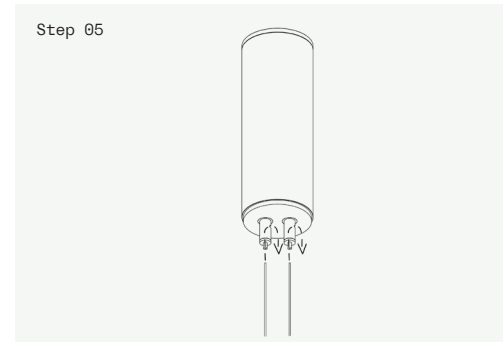
Fix the ceiling plate canopy to the ceiling using three 5mm wood screws. Fixings are not provided. Note: Be sure the screws sit within the counter sink.



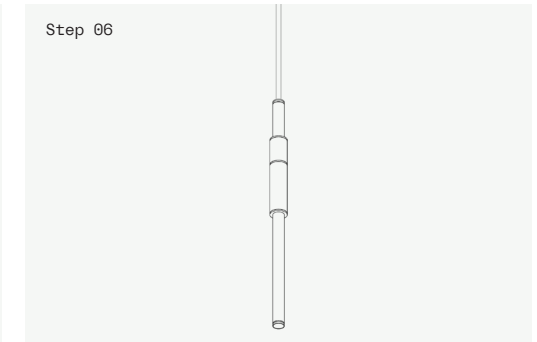
Wire the driver to the mains via the terminal blocks in the driver, making sure they connect to power in. Feed any excess cables back into the ceiling void.



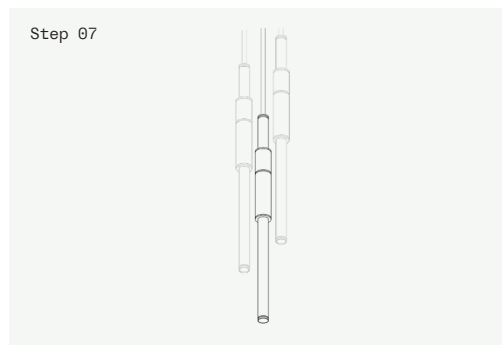
Screw the Ceiling Rose Tube to the ceiling plate.



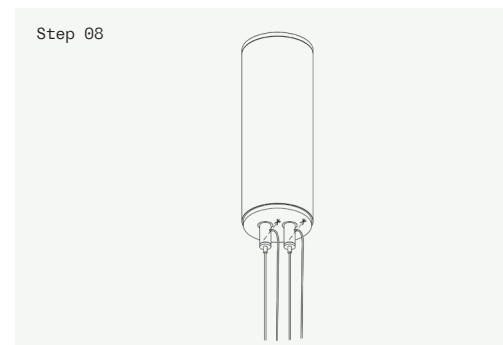
Feed the suspension cables through the cable grips, pulling the cables out of the relief hole. To open the cable grip, press the nipple in to allow the cable through. Note: Make sure to feed the cables through the cable grip cover tube first, see step 8 for details.



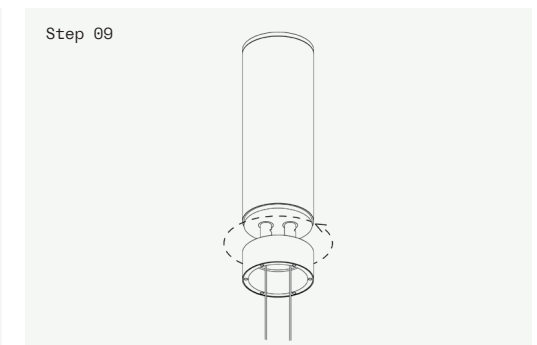
Set the light to the desired height, making sure the light is sitting level. You can set the light by toggling the suspension cables, pressing the cable grip nipple in to move the cable, and realising to hold it in place.



If you are installing multiple Light Pipes we advise you install all ceiling attachments and set the heights before wiring the pendant to the driver.



Once the light is at your desired height, neatly cut the suspension cables down to length using a pair of knipex.



Screw the cable grip cover tube on to the ceiling rose, covering the cable grips.

# Empty State

## Installation Guide

### Light Pipe

- Vertical
- ES-CRL

## NOTES

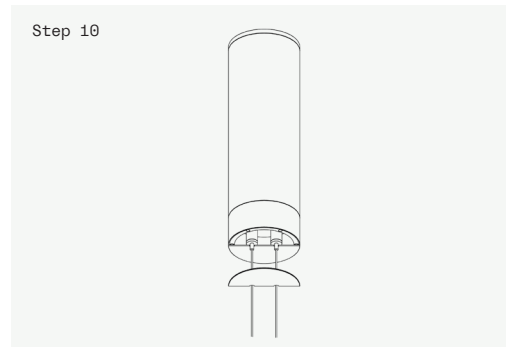
Make sure the ceiling is capable of supporting the weight of the light. We recommend you seek the advice of a structural engineer or construction professional.

Fixings not supplied. The appropriate fixing will vary depending on the ceiling substrate, therefore fixings will not be supplied. Please use an appropriate fixing to suit your solution.

Installation should be carried out by a suitably qualified electrician. Access to ceiling void required.

Installation only requires one person, however we would recommend two for best results.

Always wear protective gloves to prevent and damage / tarnishing to the light.



Cover the ceiling rose canopy with the two half's of the cover plates. Be careful not to let any part of the cover plates touch the cable grips, this may cause the light to short.

# Empty State

## Installation Guide

### Light Pipe

#### NOTES

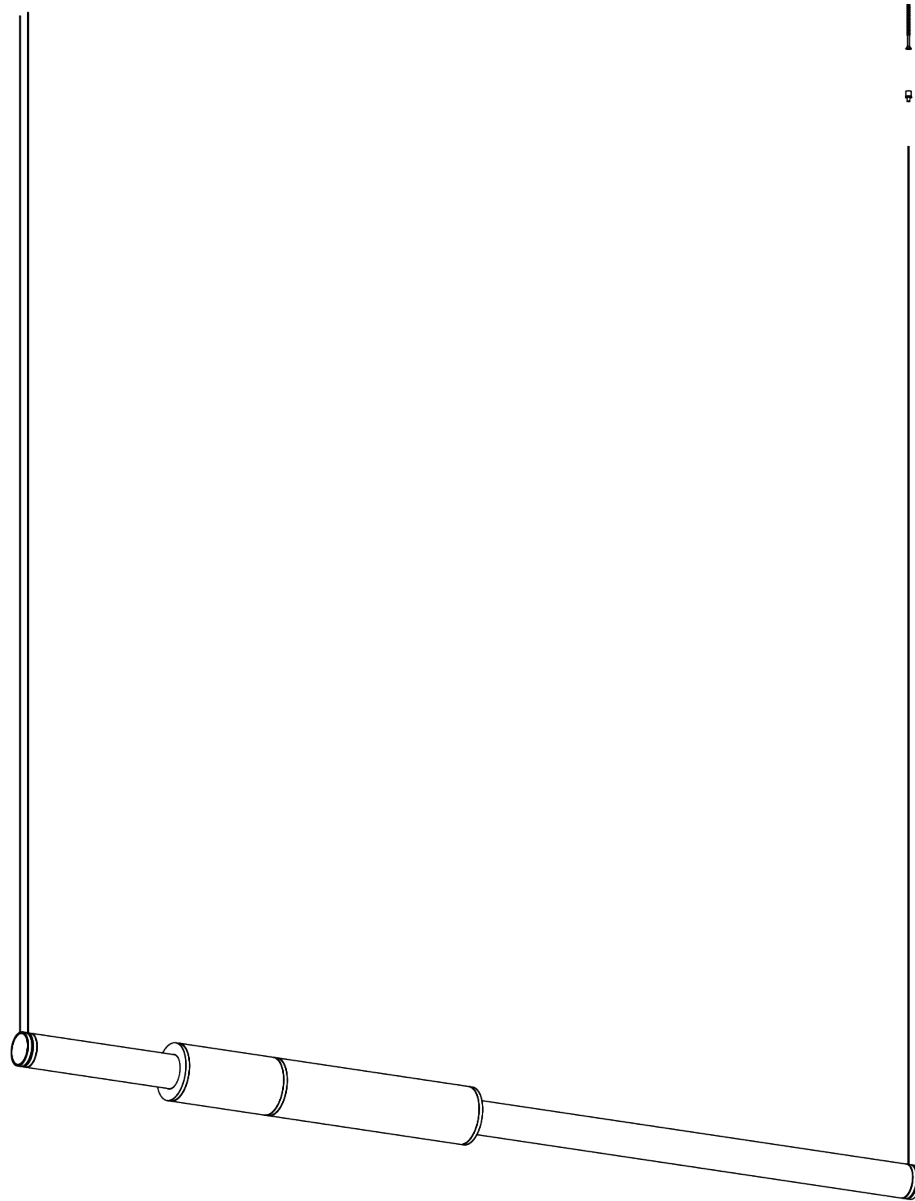
Make sure the ceiling is capable of supporting the weight of the light. We recommend you seek the advice of a structural engineer or construction professional.

Fixings not supplied. The appropriate fixing will vary depending on the ceiling substrate, therefore fixings will not be supplied. Please use an appropriate fixing to suit your solution.

Installation should be carried out by a suitably qualified electrician. Access to ceiling void required.

Installation only requires one person, however we would recommend two for best results.

Always wear protective gloves to prevent and damage / tarnishing to the light.



# Empty State

## Installation Guide

### Light Pipe

- Horizontal
- ES-CRL

### NOTES

Make sure the ceiling is capable of supporting the weight of the light. We recommend you seek the advice of a structural engineer or construction professional.

Fixings not supplied. The appropriate fixing will vary depending on the ceiling substrate, therefore fixings will not be supplied. Please use an appropriate fixing to suit your solution.

Installation should be carried out by a suitably qualified electrician. Access to ceiling void required.

Installation only requires one person, however we would recommend two for best results.

Always wear protective gloves to prevent and damage / tarnishing to the light.

### Ceiling Rose



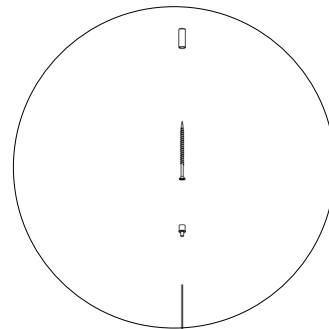
ES-CRL  
Ceiling Plate  
5mm Wood Screws  
(Fixings not included)

Driver

Cable Grips

Grip Cover Tube

Ceiling Rose Cover Plates



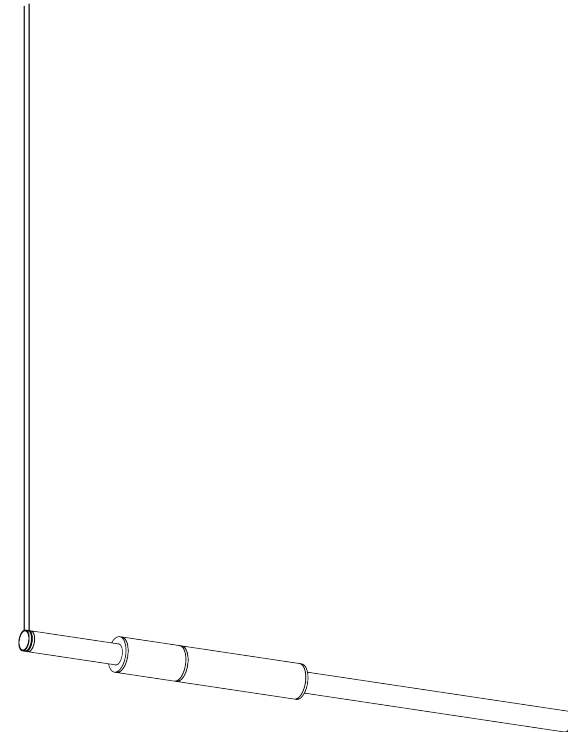
Cable Grip Mount

5mm Wood Screws  
(Fixings not included)

Cable Grip

Suspension Cable

### Pendent



Suspension Cable

Pendent  
S58-04 Shown  
Your Pendent may differ



# Empty State

## Installation Guide

### Light Pipe

- Horizontal
- ES-CRL

### NOTES

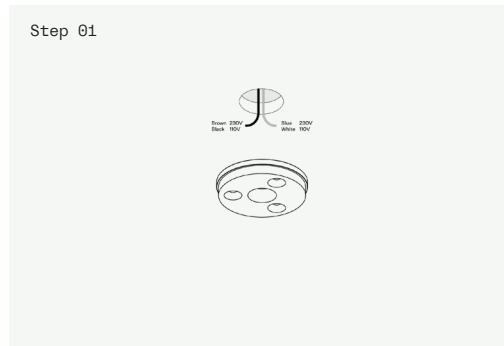
Make sure the ceiling is capable of supporting the weight of the light. We recommend you seek the advice of a structural engineer or construction professional.

Fixings not supplied. The appropriate fixing will vary depending on the ceiling substrate, therefore fixings will not be supplied. Please use an appropriate fixing to suit your solution.

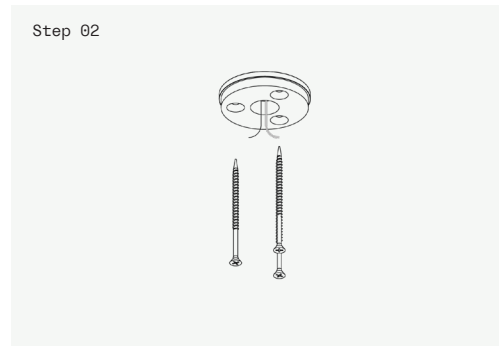
Installation should be carried out by a suitably qualified electrician. Access to ceiling void required.

Installation only requires one person, however we would recommend two for best results.

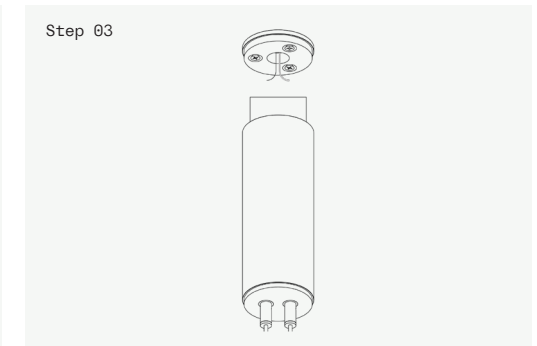
Always wear protective gloves to prevent and damage / tarnishing to the light.



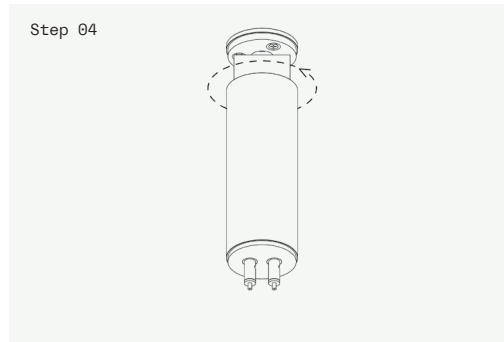
Align the ceiling plate to the access point to the ceiling void and feed the wires through the central hole.



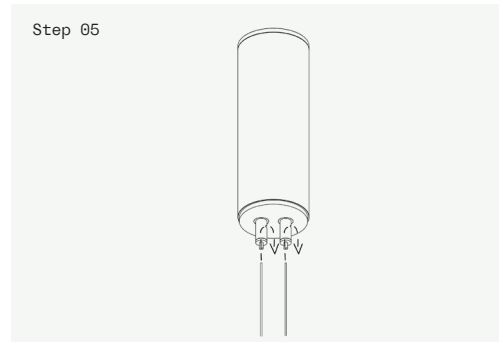
Fix the ceiling plate canopy to the ceiling using three 5mm wood screws. Fixings are not provided.  
Note: Be sure the screws sit within the counter sink



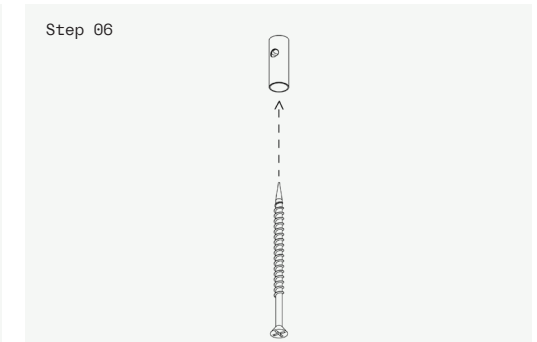
Wire the driver to the mains via the terminal blocks in the driver, making sure they connect to power in. Feed any excess cables back into the ceiling void.



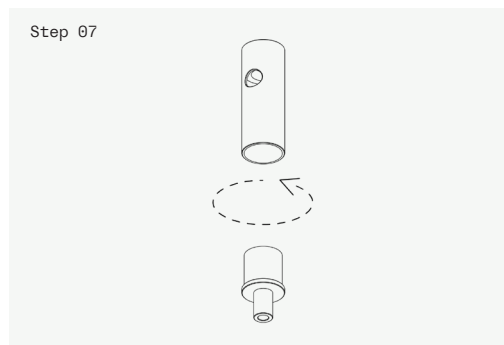
Screw the Ceiling Rose Tube to the ceiling plate.



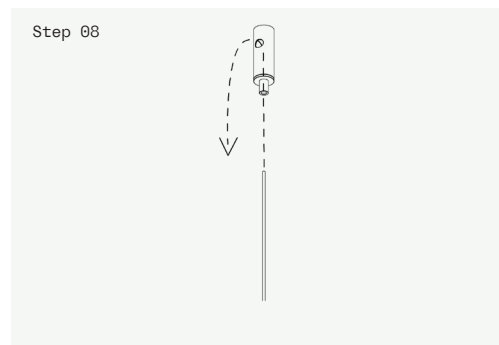
Feed the suspension cables through the cable grips, pulling the cables out of the relief hole. To open the cable grip press the nipple in to allow the cable through.  
Note: Make sure to feed the cables through the cable grip cover tube first, see step 8 for details.



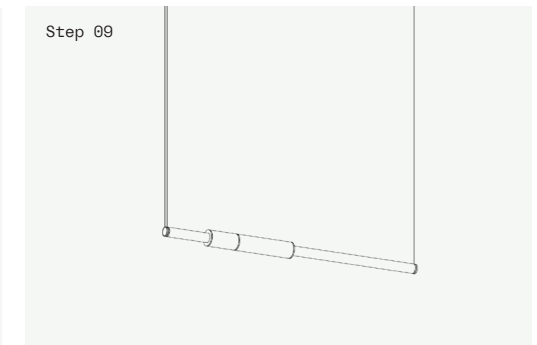
Fix the single grip ceiling mount to the ceiling using a 4mm wood screw following the layout guide. Fixings are not provided.



Screw in the cable grip provided into the cable grip ceiling mount.



Feed the suspension cable through the cable grip and out through the access hole on the side of the grip ceiling mount. To open the cable grip press the nipple in to allow the cable through.



With both suspension cables fed through raise the pendant up into place and set at your desired height. Make sure the light is sitting level.

# Empty State

## Installation Guide

### Light Pipe

- Horizontal
- ES-CRL

### NOTES

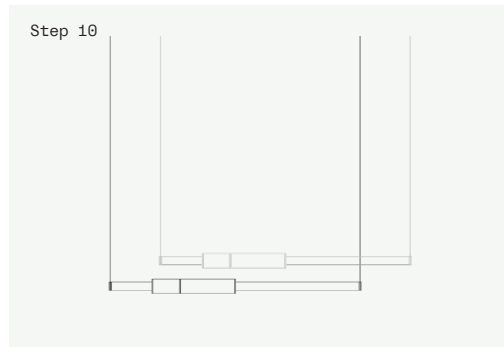
Make sure the ceiling is capable of supporting the weight of the light. We recommend you seek the advice of a structural engineer or construction professional.

Fixings not supplied. The appropriate fixing will vary depending on the ceiling substrate, therefore fixings will not be supplied. Please use an appropriate fixing to suit your solution.

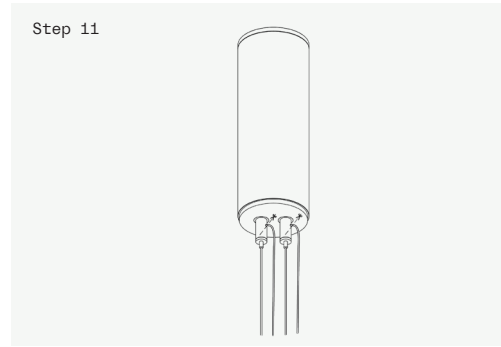
Installation should be carried out by a suitably qualified electrician. Access to ceiling void required.

Installation only requires one person, however we would recommend two for best results.

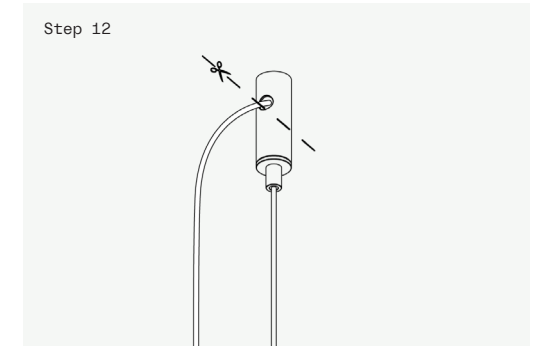
Always wear protective gloves to prevent and damage / tarnishing to the light.



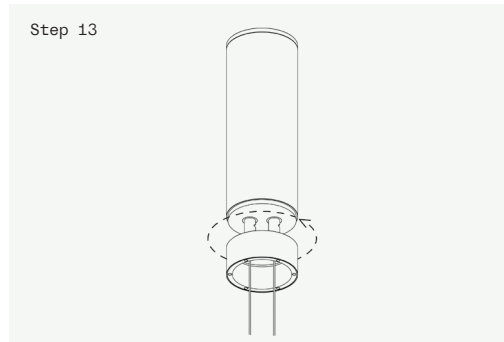
If you are installing multiple Light Pipes we advise you install all ceiling attachments and set the heights before wiring the pendant to the driver.



Once the light is at your desired height neatly cut the suspension cables down to length using a pair of kinpex.



Remember to cut both suspension cables.



Screw the cable grip cover tube on to the ceiling rose, covering the cable grips.

# Empty State

## Installation Guide

### Light Pipe

#### NOTES

Make sure the ceiling is capable of supporting the weight of the light. We recommend you seek the advice of a structural engineer or construction professional.

Fixings not supplied. The appropriate fixing will vary depending on the ceiling substrate, therefore fixings will not be supplied. Please use an appropriate fixing to suit your solution.

Installation should be carried out by a suitably qualified electrician. Access to ceiling void required.

Installation only requires one person, however we would recommend two for best results.

Always wear protective gloves to prevent and damage / tarnishing to the light.



# Empty State

## Installation Guide

### Light Pipe

- Vertical
- ES-CRM

### NOTES

Make sure the ceiling is capable of supporting the weight of the light. We recommend you seek the advice of a structural engineer or construction professional.

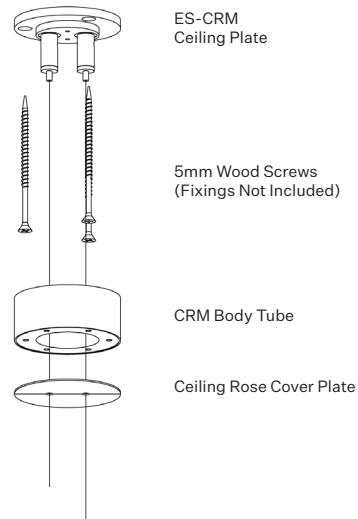
Fixings not supplied. The appropriate fixing will vary depending on the ceiling substrate, therefore fixings will not be supplied. Please use an appropriate fixing to suit your solution.

Installation should be carried out by a suitably qualified electrician. Access to ceiling void required.

Installation only requires one person, however we would recommend two for best results.

Always wear protective gloves to prevent and damage / tarnishing to the light.

### Ceiling Rose



### Pendent



Suspension Cable

Pendent  
S58-02 Shown  
Your Pendent may differ

# Empty State

## Installation Guide

### Light Pipe

- Vertical
- ES-CRM

### NOTES

Make sure the ceiling is capable of supporting the weight of the light. We recommend you seek the advice of a structural engineer or construction professional.

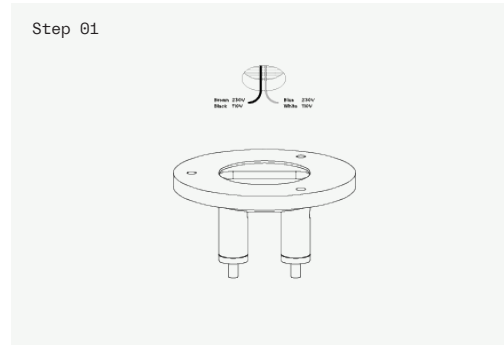
Fixings not supplied. The appropriate fixing will vary depending on the ceiling substrate, therefore fixings will not be supplied. Please use an appropriate fixing to suit your solution.

Installation should be carried out by a suitably qualified electrician. Access to ceiling void required.

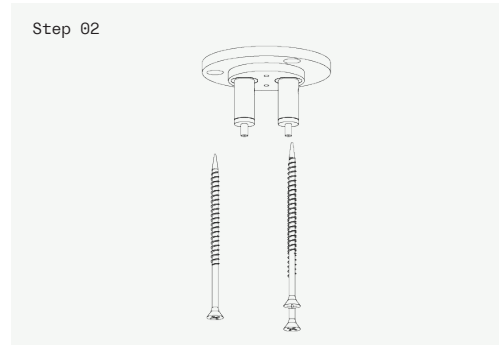
Installation only requires one person, however we would recommend two for best results.

Always wear protective gloves to prevent and damage / tarnishing to the light.

emptystate.com  
technical@emptystate.com



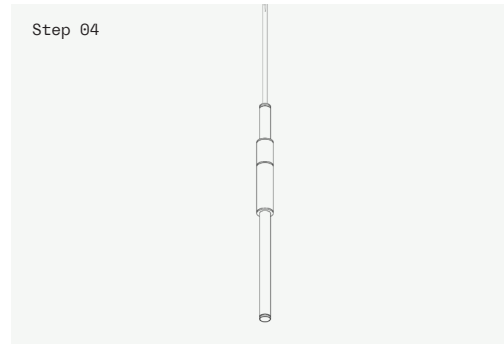
Align the ceiling plate to the access point to the ceiling void and wire the driver to the mount via the terminal blocks. Driver need to be stored within ceiling void or within 8m of the light.



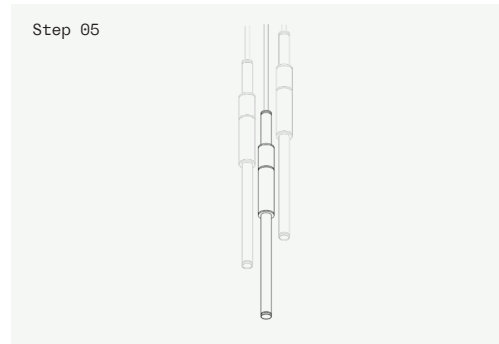
Fix the ceiling plate canopy to the ceiling using three 5mm wood screws. Fixings are not provided. Note: Be sure the screws sit within the counter sink



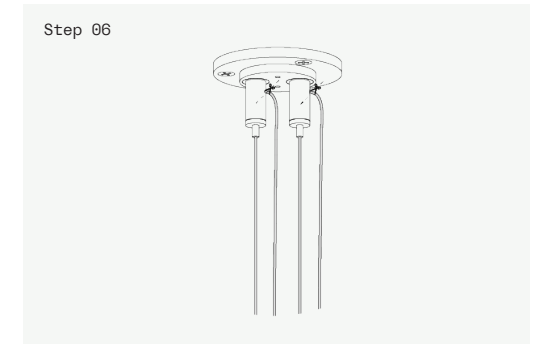
Feed the suspension cables through the cable grips, pulling the cables out of the relief hole. To open the cable grip press the nipple in to allow the cable through. Note: Make sure to feed the cables through the cable grip cover tube first, see step 8 for details.



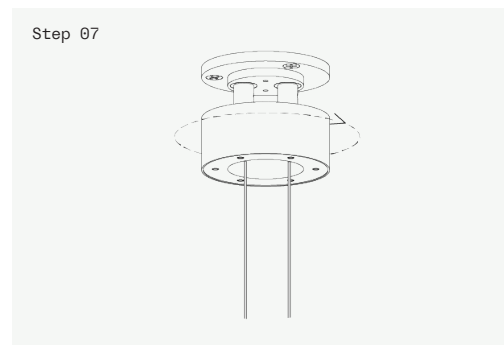
Set the light to the desired height, making sure the light is sitting level. You can set the light by toggling the suspension cables, pressing the cable grip nipple in to move the cable, and realising to hold it in place.



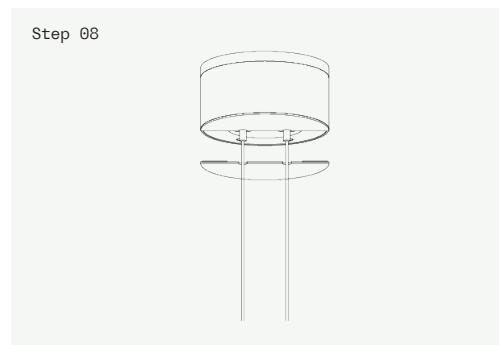
If you are installing multiple Light Pipes we advise you install all ceiling attachments and set the heights before wiring the pendant to the driver.



Once the light is at your desired height neatly cut the suspension cables down to length using a pair of kinkex.



Screw the CRM Body tube to the Ceiling Plate.



Cover the ceiling rose canopy with the two half's of the cover plates. Be careful not to let any part of the cover plates touch the cable grips, this may cause the light to short.

# Empty State

## Installation Guide

### Light Pipe

#### NOTES

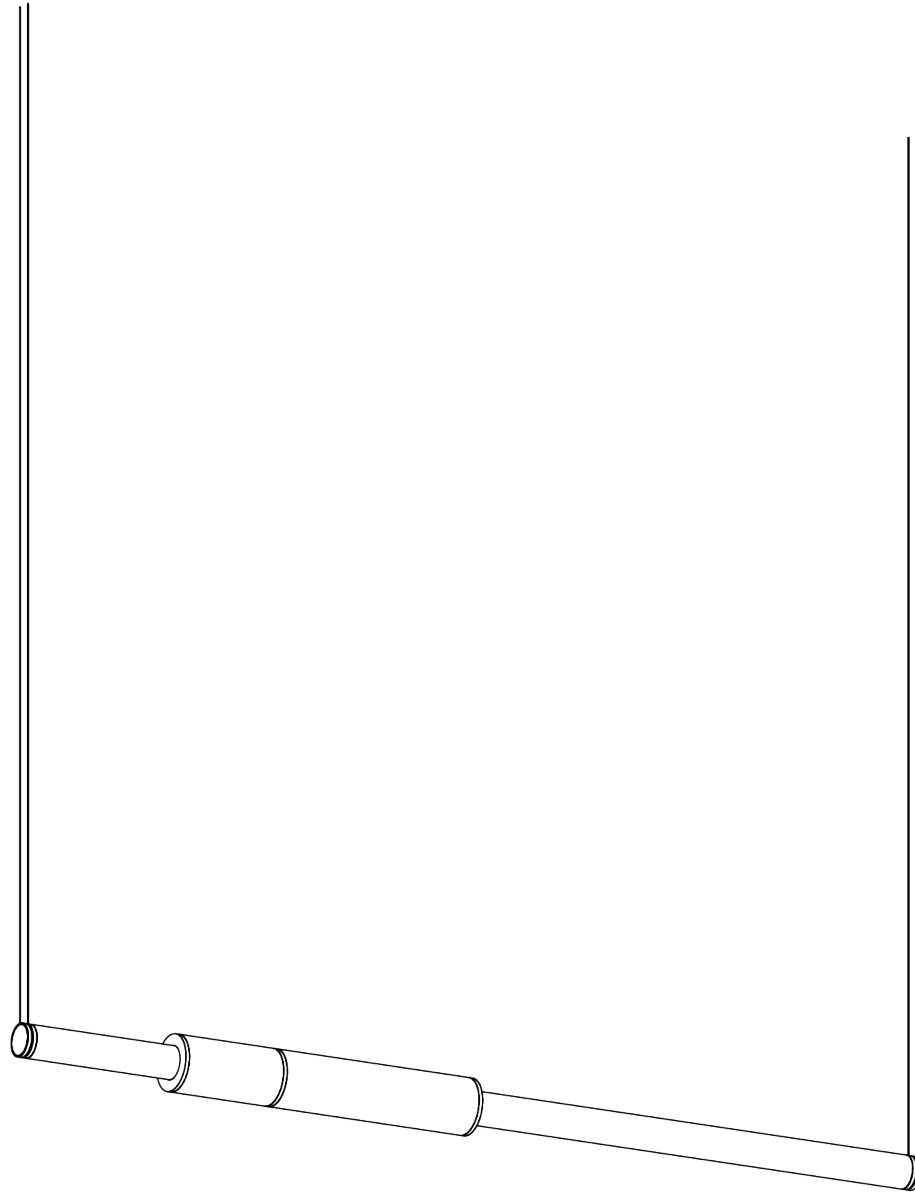
Make sure the ceiling is capable of supporting the weight of the light. We recommend you seek the advice of a structural engineer or construction professional.

Fixings not supplied. The appropriate fixing will vary depending on the ceiling substrate, therefore fixings will not be supplied. Please use an appropriate fixing to suit your solution.

Installation should be carried out by a suitably qualified electrician. Access to ceiling void required.

Installation only requires one person, however we would recommend two for best results.

Always wear protective gloves to prevent and damage / tarnishing to the light.



# Empty State

## Installation Guide

### Light Pipe

#### NOTES

Make sure the ceiling is capable of supporting the weight of the light. We recommend you seek the advice of a structural engineer or construction professional.

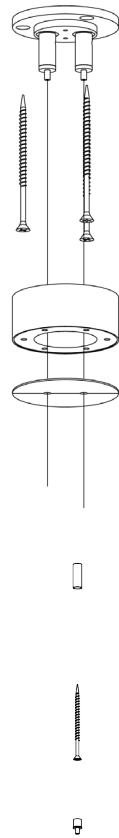
Fixings not supplied. The appropriate fixing will vary depending on the ceiling substrate, therefore fixings will not be supplied. Please use an appropriate fixing to suit your solution.

Installation should be carried out by a suitably qualified electrician. Access to ceiling void required.

Installation only requires one person, however we would recommend two for best results.

Always wear protective gloves to prevent and damage / tarnishing to the light.

### Ceiling Rose



ES-CRM  
Ceiling Plate

5mm Wood Screws  
(Fixings Not Included)

CRM Body Tube

Ceiling Rose Cover Plate

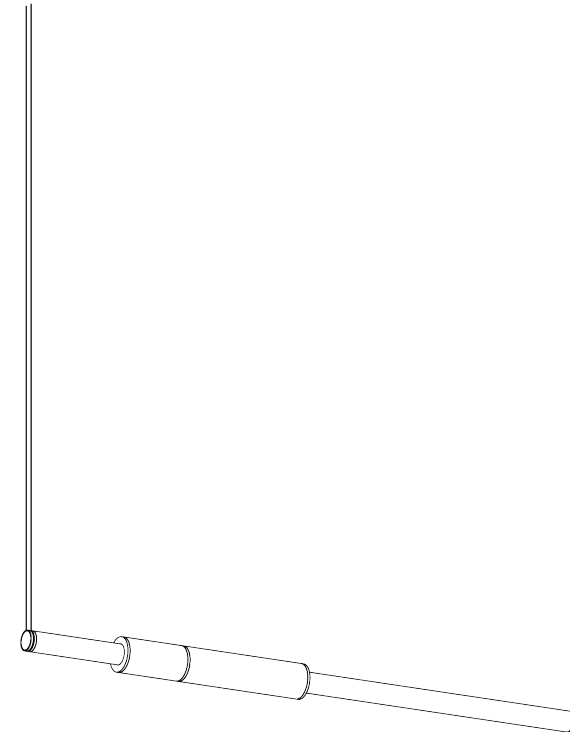
Cable Grip Mount

5mm Wood Screws  
(Fixings not included)

Cable Grip

Suspension Cable

### Pendent



Suspension Cable

Pendent  
S58-04 Shown  
Your Pendent may differ

# Empty State

## Installation Guide

### Light Pipe

- Horizontal
- ES-CRM

### NOTES

Make sure the ceiling is capable of supporting the weight of the light. We recommend you seek the advice of a structural engineer or construction professional.

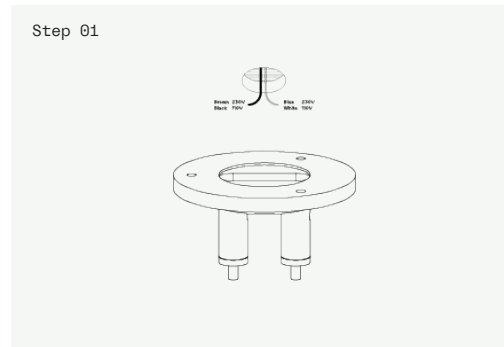
Fixings not supplied. The appropriate fixing will vary depending on the ceiling substrate, therefore fixings will not be supplied. Please use an appropriate fixing to suit your solution.

Installation should be carried out by a suitably qualified electrician. Access to ceiling void required.

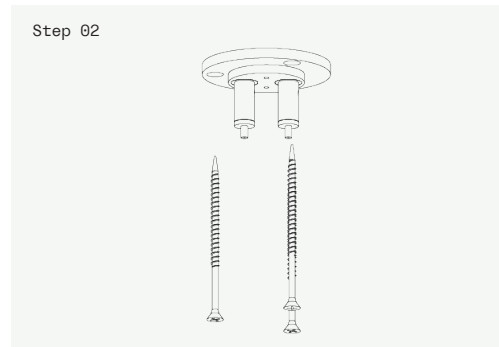
Installation only requires one person, however we would recommend two for best results.

Always wear protective gloves to prevent and damage / tarnishing to the light.

emptystate.com  
technical@emptystate.com



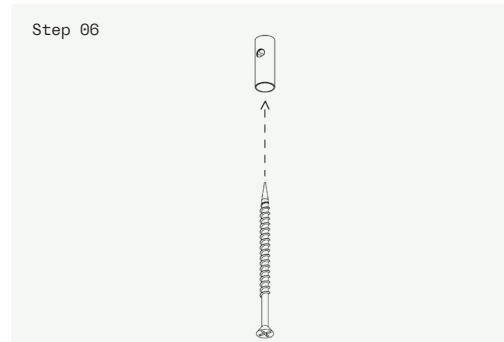
Align the ceiling plate to the access point to the ceiling void and wire the driver to the mount via the terminal blocks. Driver need to be stored within ceiling void or within 8m of the light.



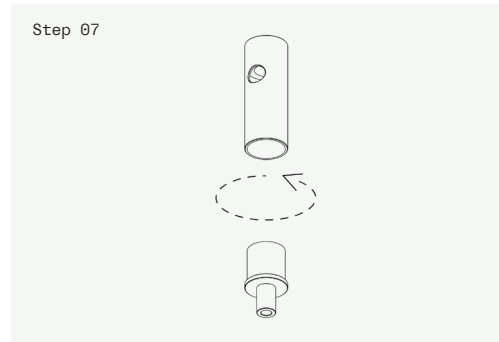
Fix the ceiling plate canopy to the ceiling using three 5mm wood screws. Fixings are not provide. Note: Be sure the screws sit within the counter sink



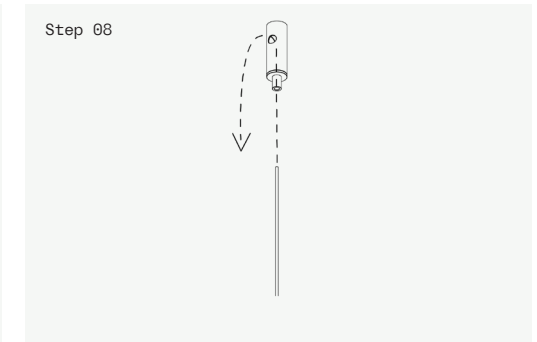
Feed the suspension cables through the cable grips, pulling the cables out of the relief hole. To open the cable grip press the nipple in to allow the cable through. Note: Make sure to feed the cables through the cable grip cover tube first, see step 8 for details.



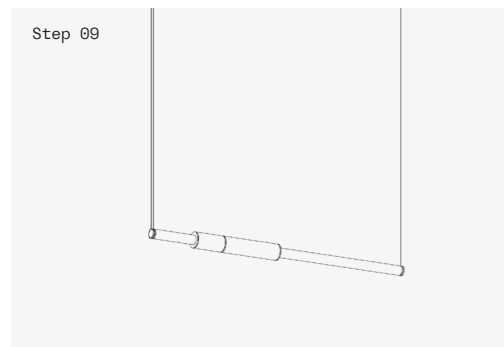
Fix the single grip ceiling mount to the ceiling using a 4mm wood screw following the layout guide. Fixings are not provide.



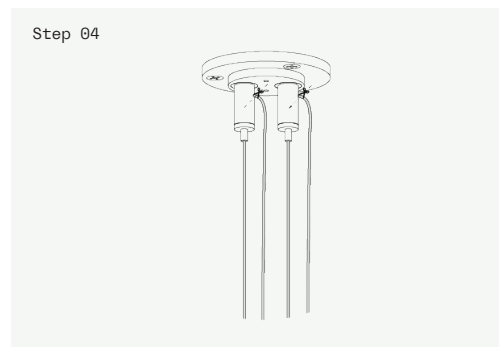
Screw in the cable grip provided into the cable grip ceiling mount.



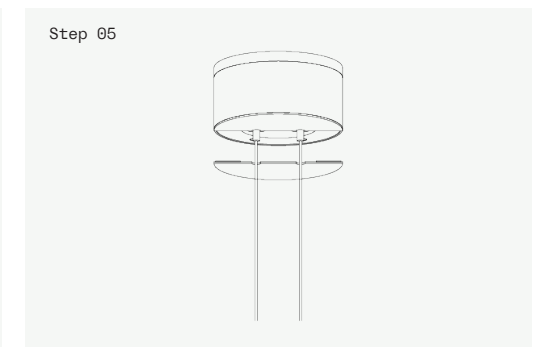
Feed The suspension cable through the cable grip and out through the access hole on the side of the grip ceiling mount. To open the cable grip press the nipple in to allow the cable through.



With both suspension cables fed through raise the pendant up into place and set at your desired height. Make sure the light is sitting level.



Once the light is at your desired height neatly cut the suspension cables down to length using a pair of kinpex.



Cover the ceiling rose canopy with the two half's of the cover plates. Be careful not to let any part of the cover plates touch the cable grips, this may cause the light to short.