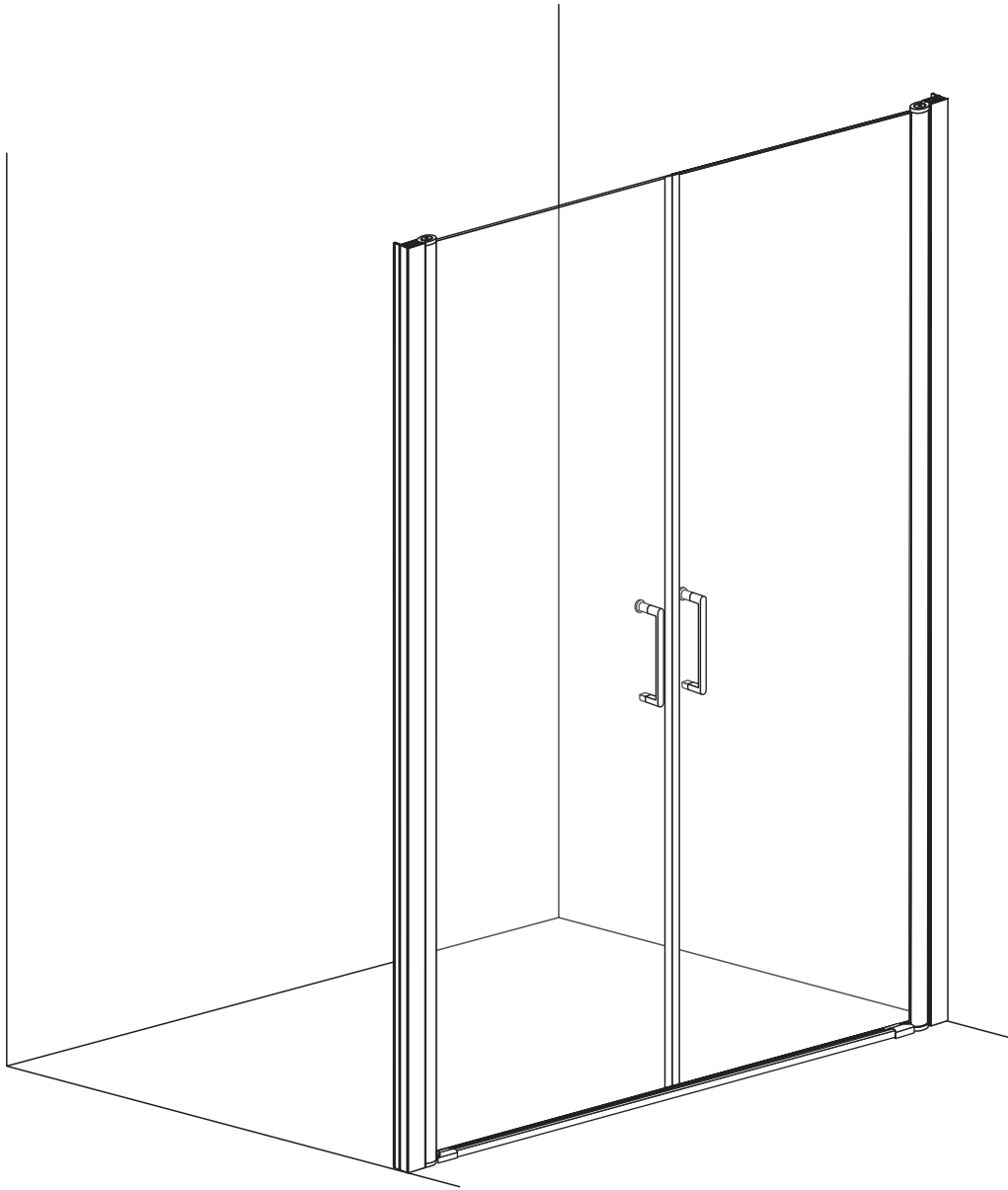


# Installation instructions

## S155

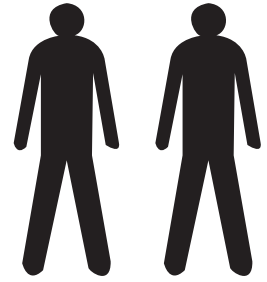


# Installation instructions

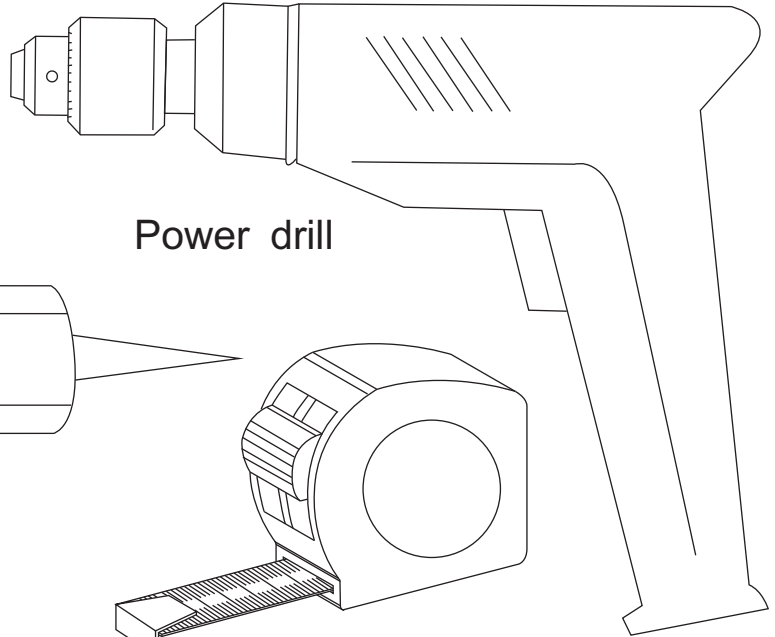
## TOOLS REQUIRED(NOT SUPPLIED)

when you're ready to start. make sure that you have the following tools to hand, plenty of space and a clean dry area for assembly.

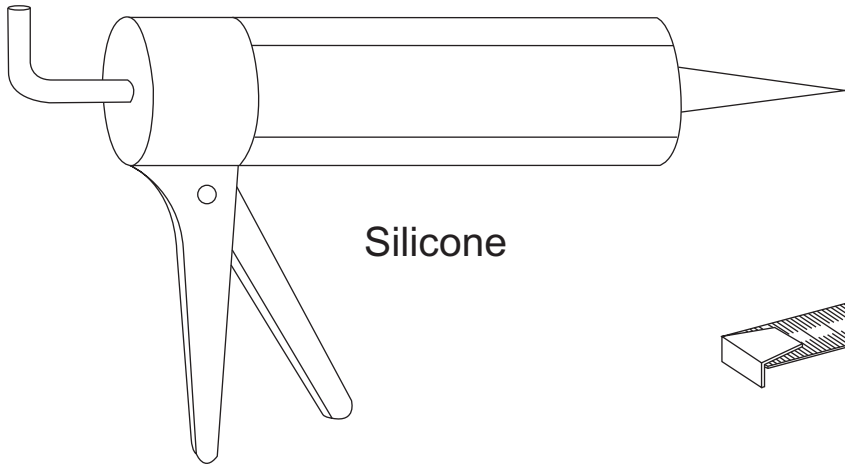
Two people are needed. Please note: although these instructions are comprehensive, We always recommend that a technically competent installer should undertake installation.



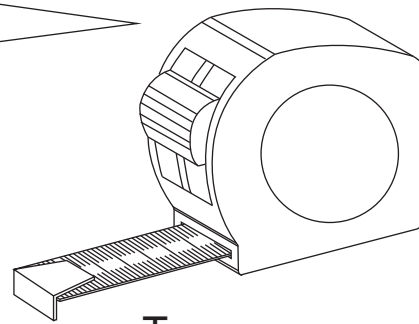
Drill bit to suit wall type  
6mm



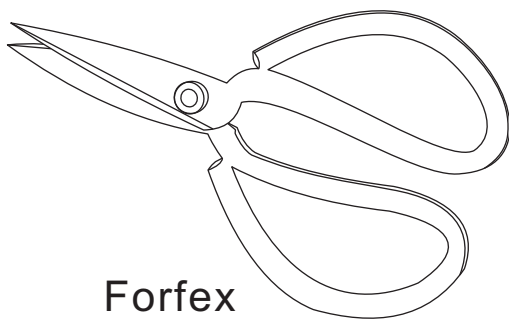
Power drill



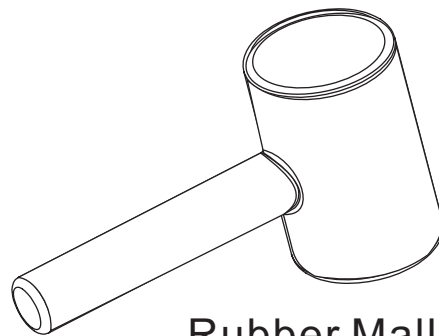
Silicone



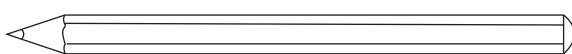
Tape measure



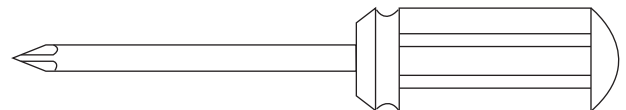
Forfex



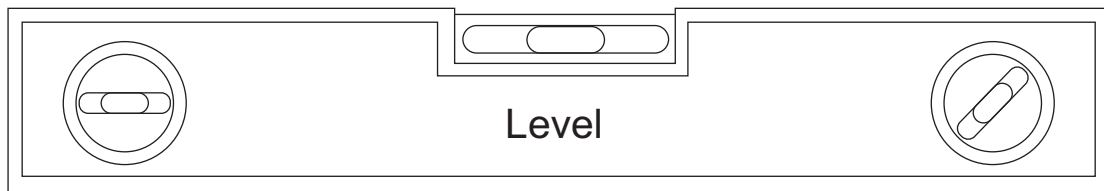
Rubber Mallet



Pencil

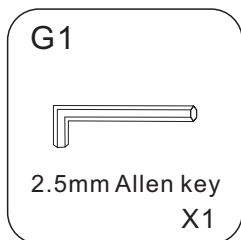
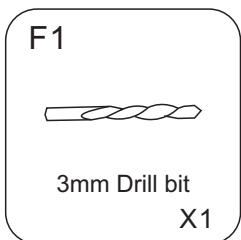
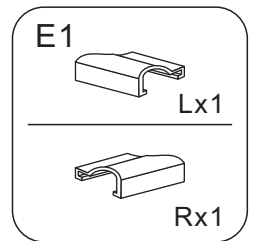
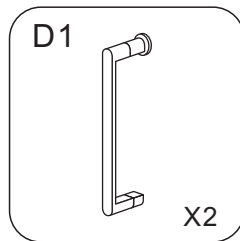
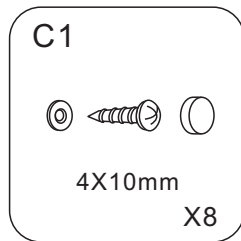
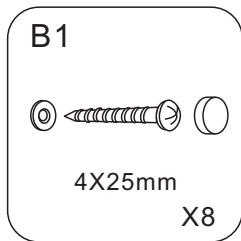
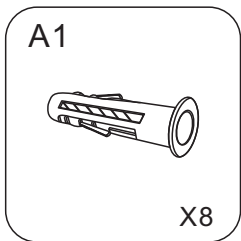
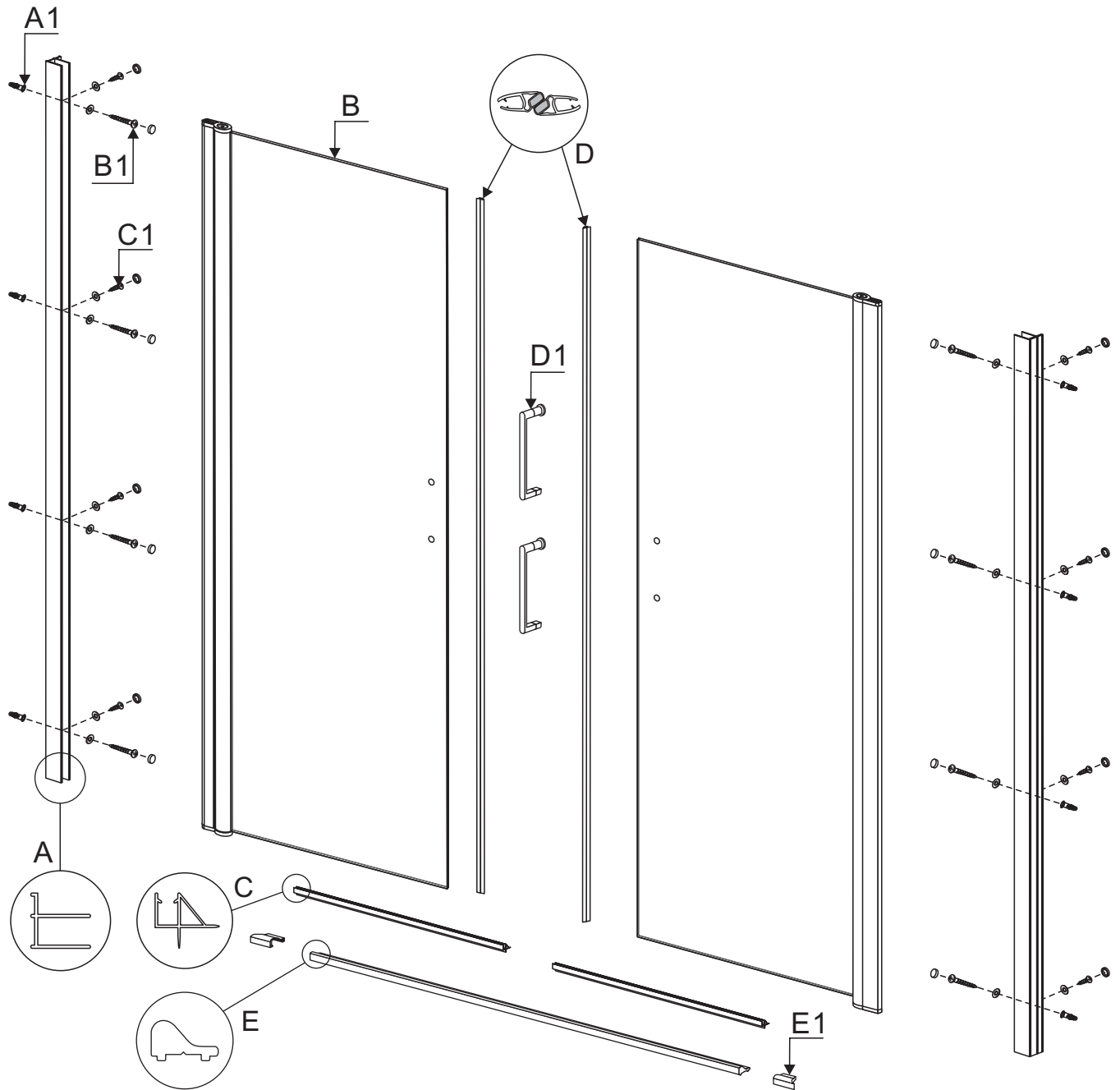


Magnetic cross head screw driver



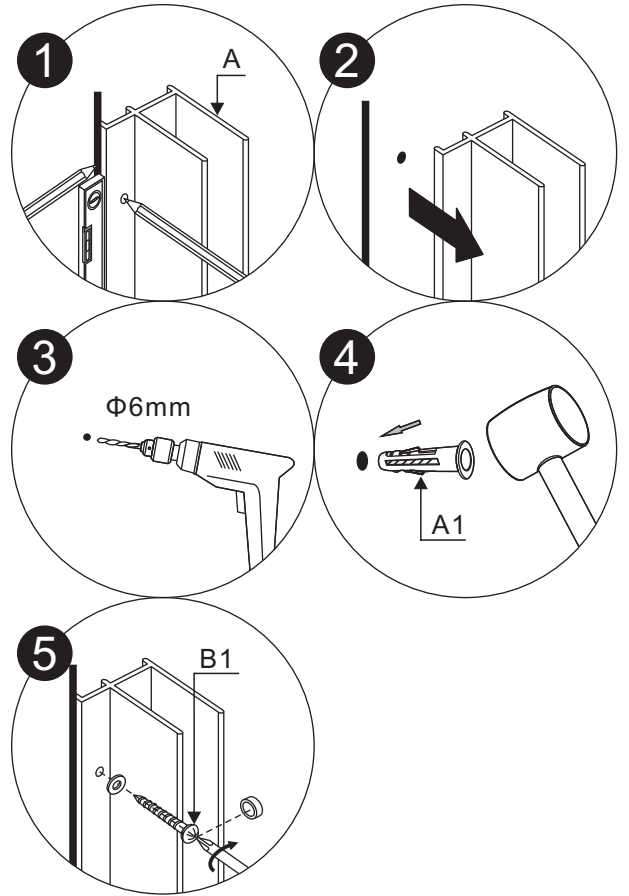
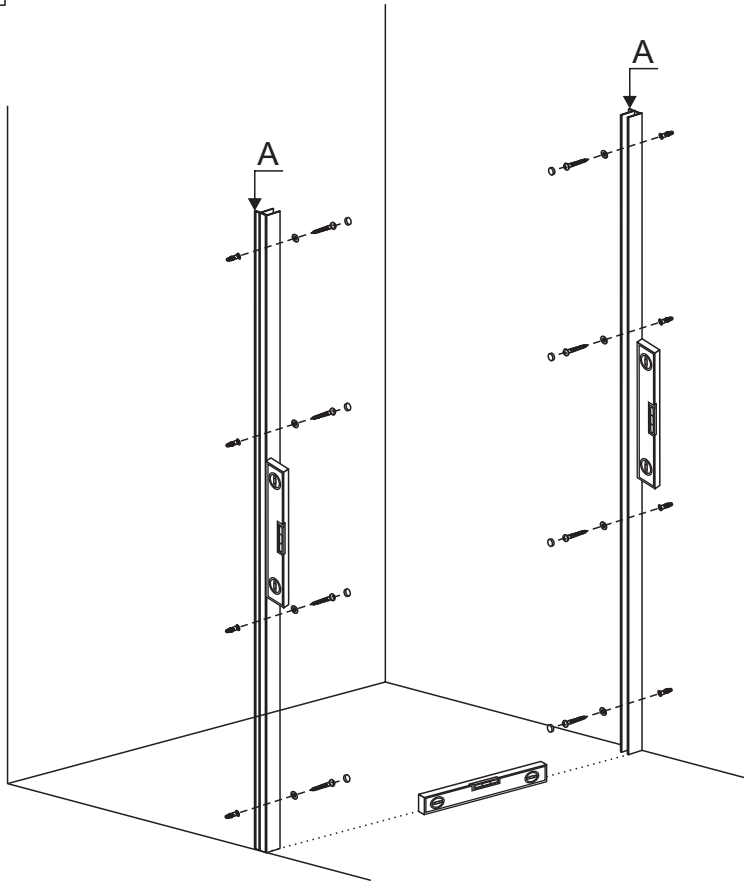
Level

# Installation instructions

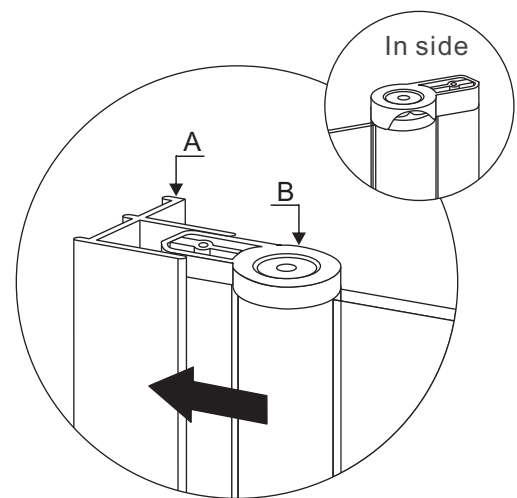
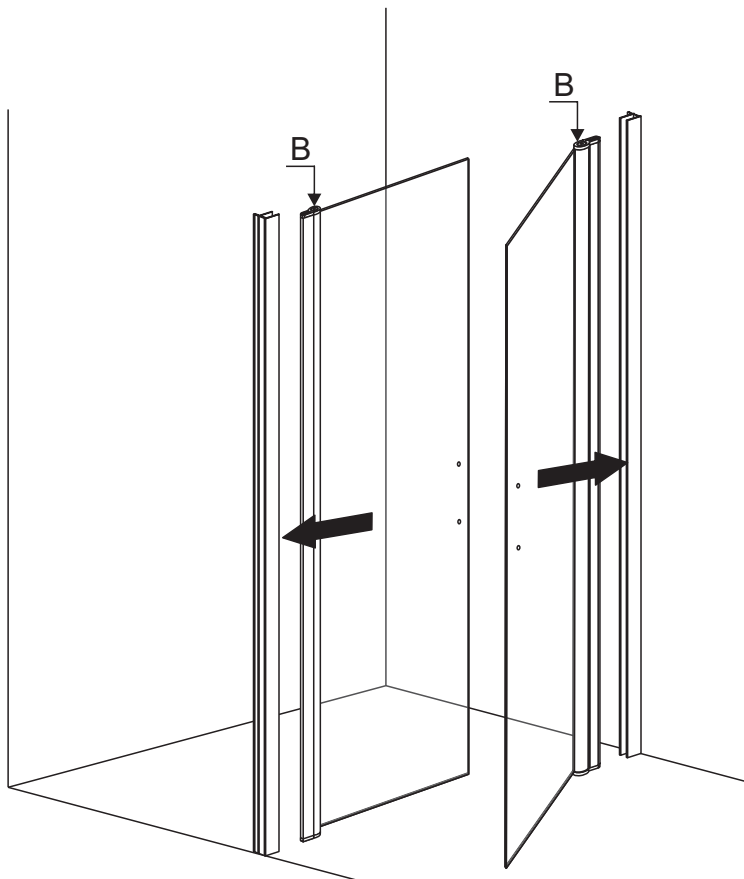


# Installation instructions

1

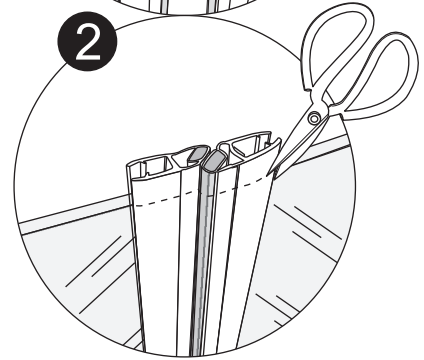
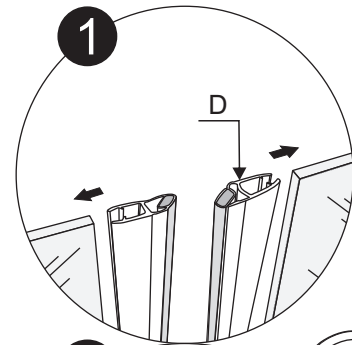
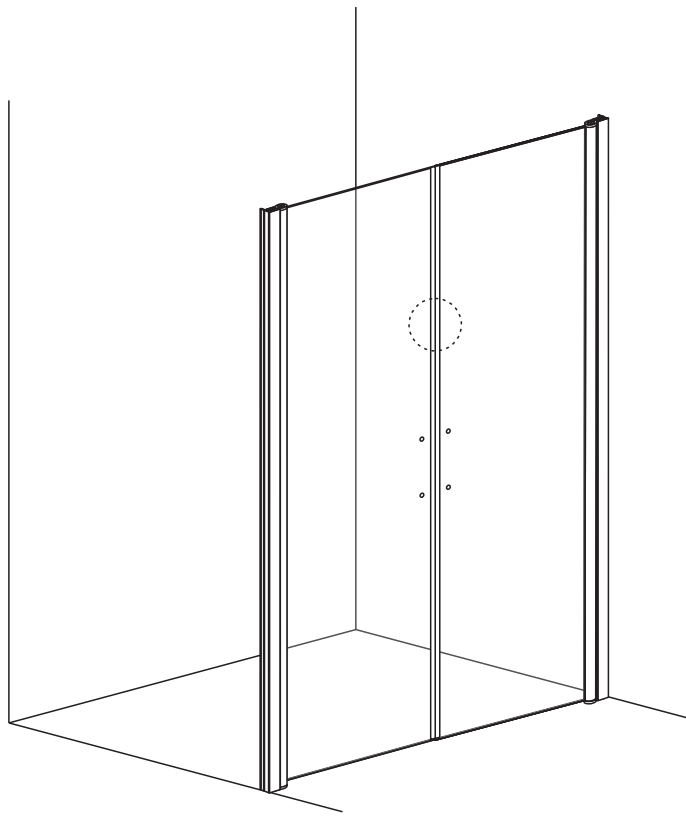


2

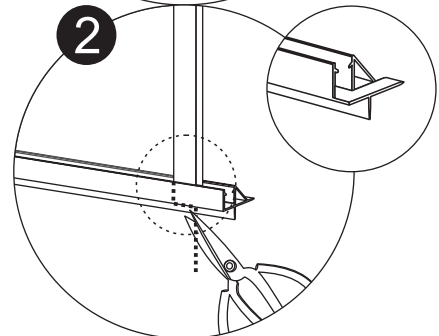
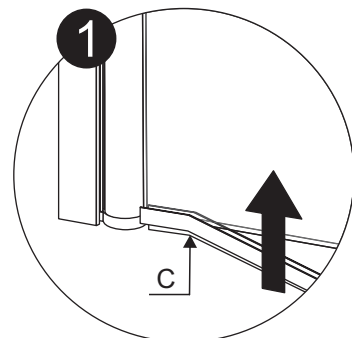
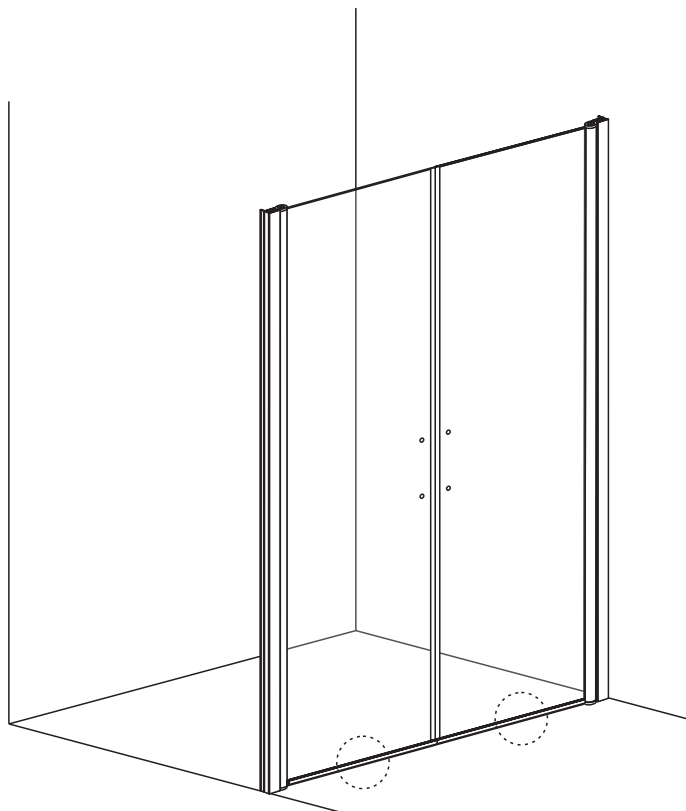


# Installation instructions

3

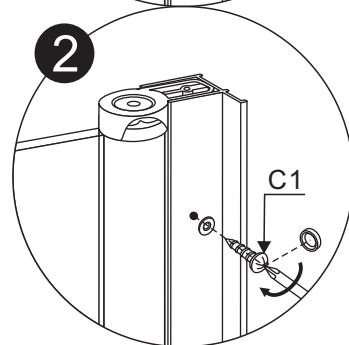
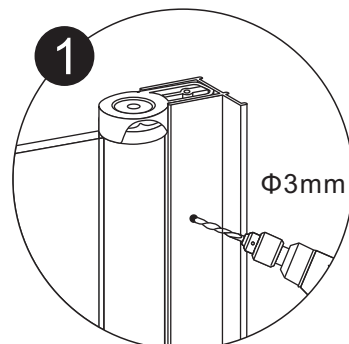
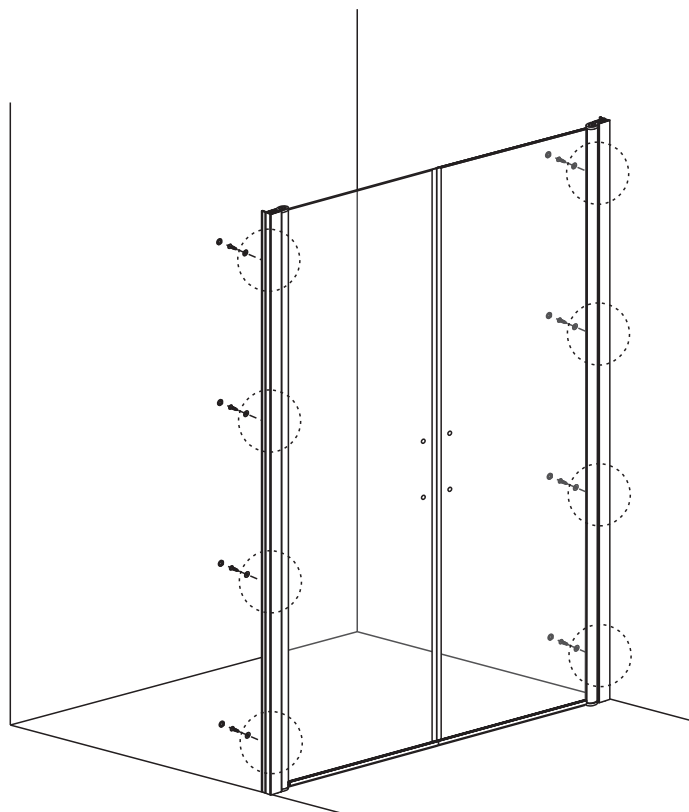


4



# Installation instructions

5



6

