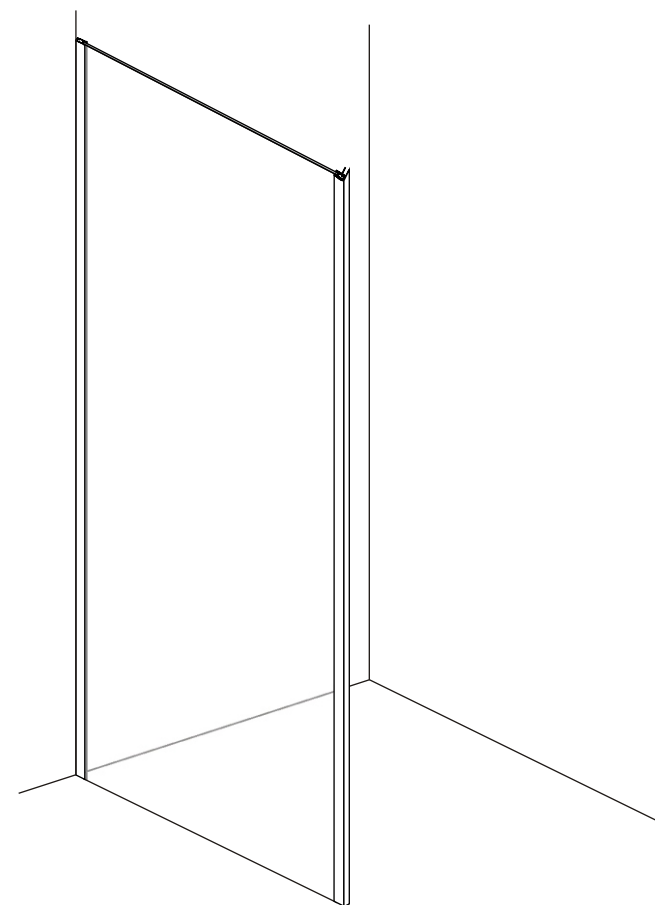


# I X B O X

*shower*

## *Installation Operation Manual*

# LF150



**MORINI**<sup>®</sup>  
GROUP

Prodotto importato e distribuito da:  
MORINI GROUP SRL  
Martina Franca (Taranto) Italy

[www.morini-group.it](http://www.morini-group.it)

Made in P.R.C.

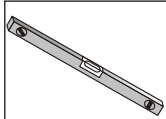
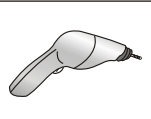
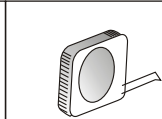
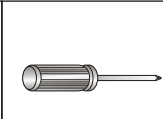
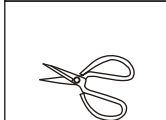
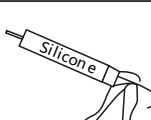
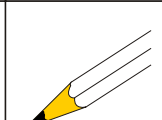

## Important Reminder

1. Please install the shower enclosure according to the instruction strictly, otherwise, it will affect the operational performance.
2. After opening the carton, please check the parts according to the part list.
3. Please handle the glass parts carefully, don't knock on the glass to avoid damage.
4. After installation completely, please use it after 24 hours.


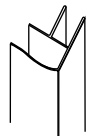

## Notice

1. Do not let children, old people or disabled people enter the room alone.
2. Do not climb or hang heavy things on the shower enclosure.
3. Do not knock and impact the glass with heavy things.
4. Caution slippery on the inside of the shower enclosure.
5. Ordinary liquid detergent should be used with a soft cloth for cleaning.
6. Apply silicone to prevent water leakage.
7. Keep the tray clean, avoid hair and sundries to jam the drain.

## Tools:

 Spirit Level	 5.5mm drill	 Tape measure	 Cross screw driver
 Scissors	 Silicone Gun	 Pencil	 Rubber mallet

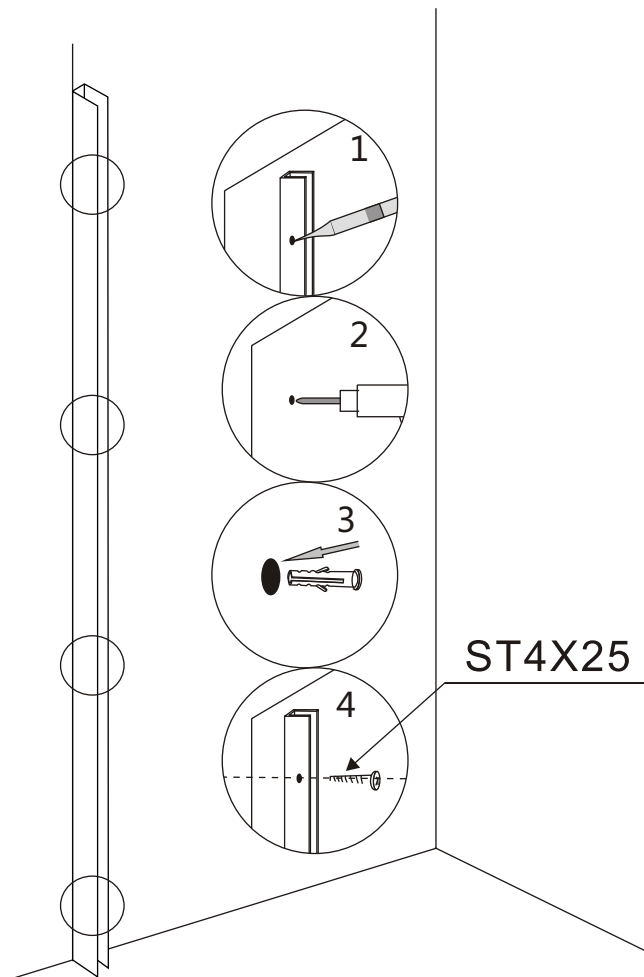
## Part list

<b>A</b>  Screws ST4X10 X4	<b>B</b>  Aluminum alloy X1	<b>C</b>  X1
---	---	---

# Installation Procedure

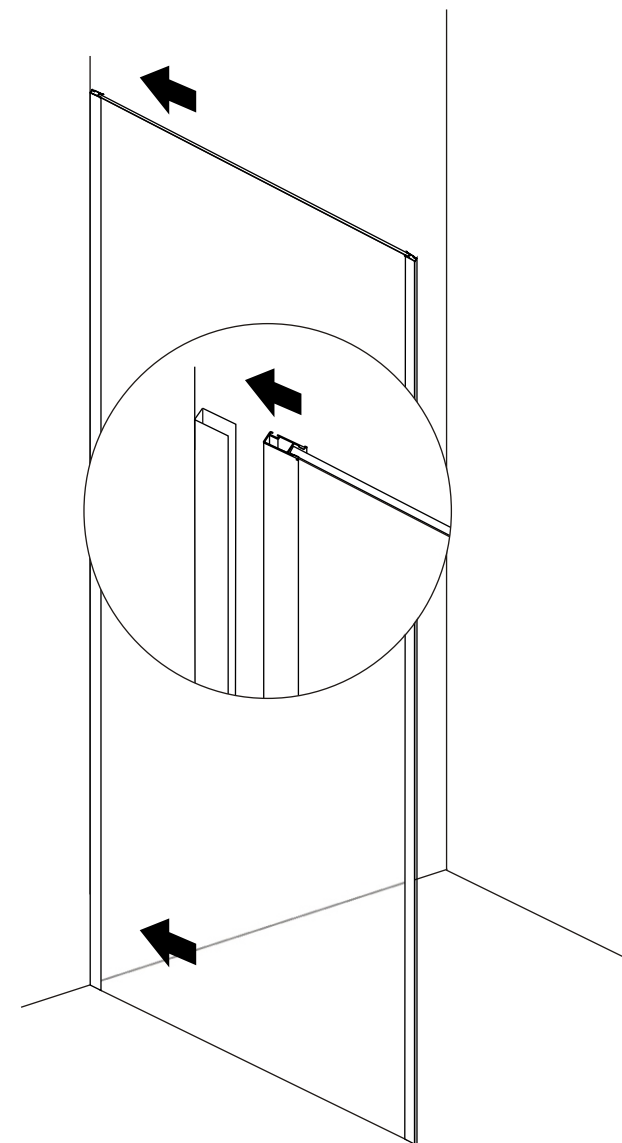
## STEP1:

### Wall profile assembling

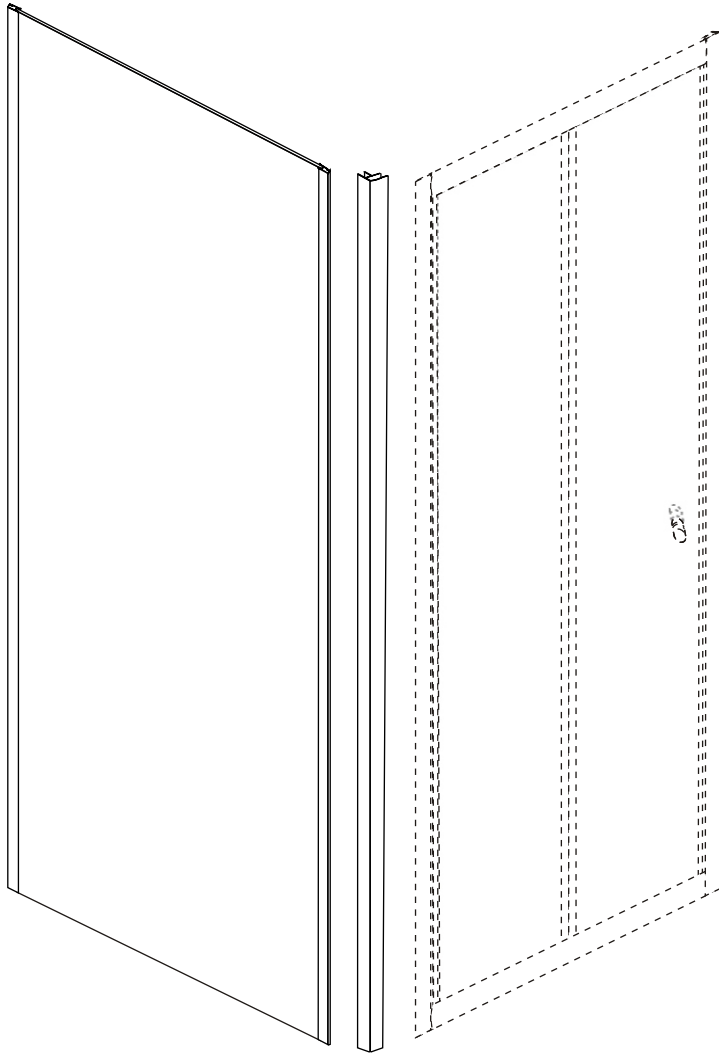


- Place the wall profile in position. Adjust the wall profile until it touches the wall.
- Mark the position of wall profile on the wall with a pencil.

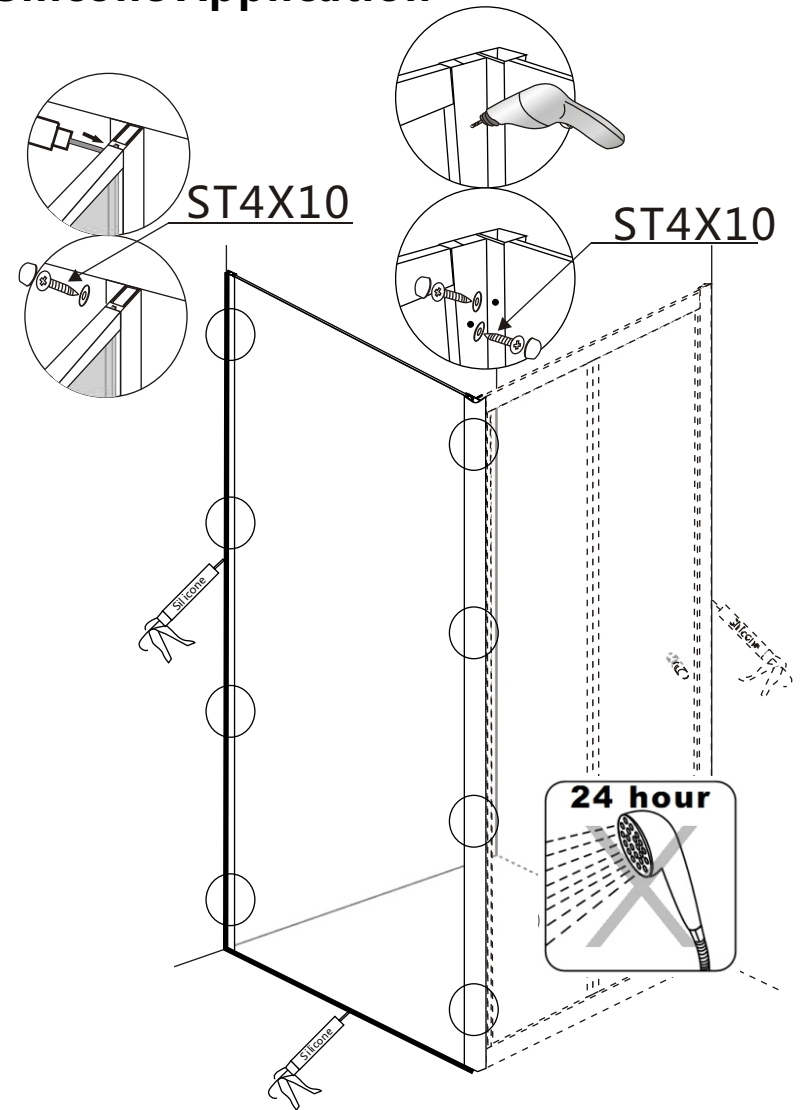
## STEP2:



### STEP3:



### STEP4: Silicone Application



- Apply silicone sealant to all joints between wall profiles and tray.
- Do not use the enclosure for 24hours, to allow the silicone to dry completely.