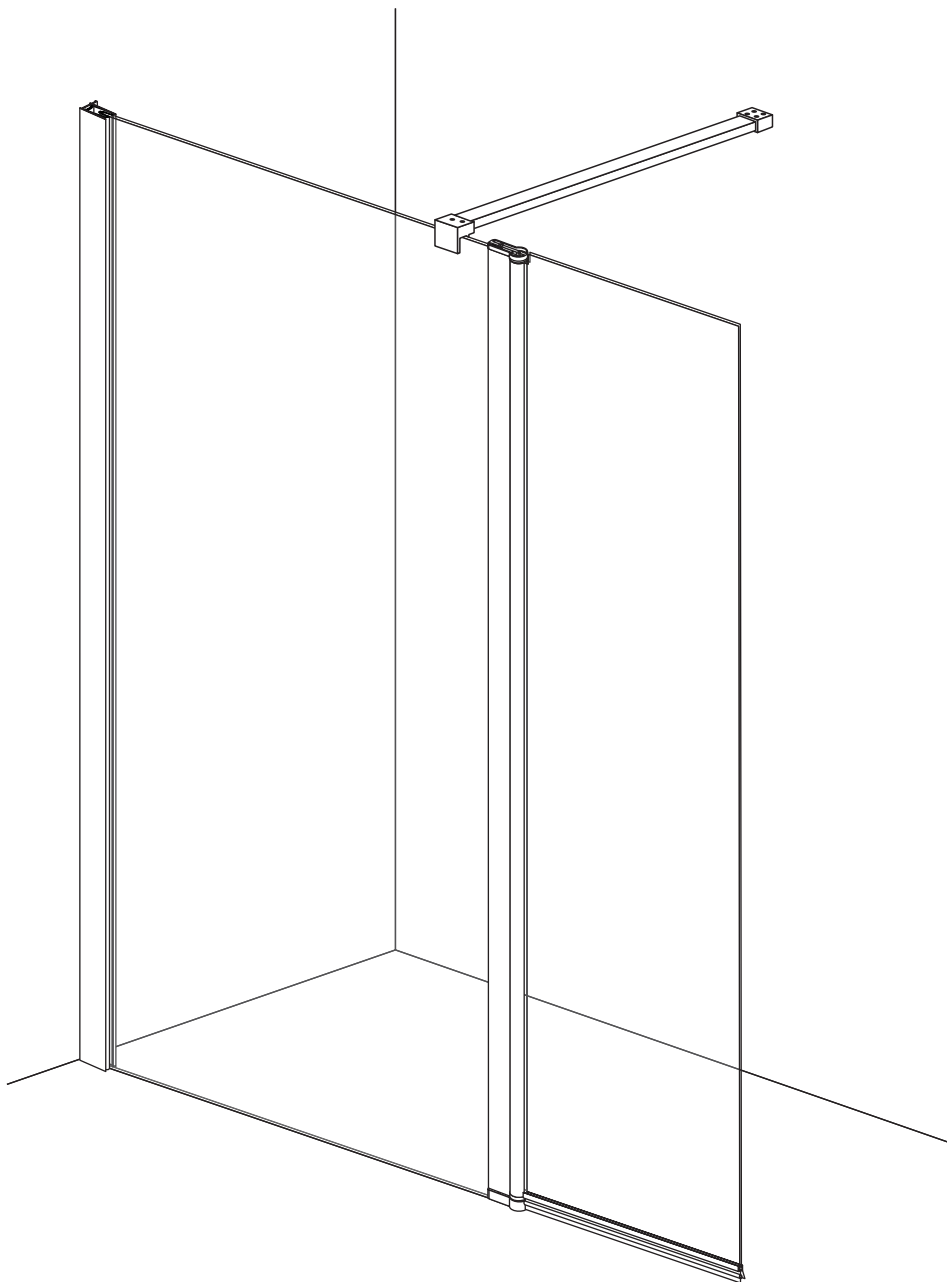


# I X B O X

*shower*

## Installation instructions

### L-112F

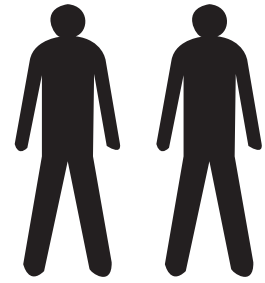


# Installation instructions

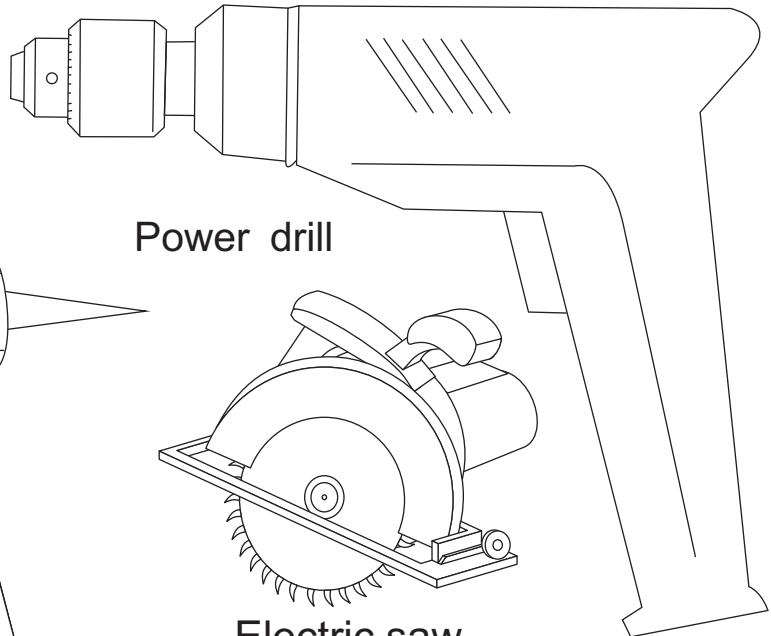
## TOOLS REQUIRED(NOT SUPPLIED)

when you're ready to start. make sure that you have the following tools to hand, plenty of space and a clean dry area for assembly.

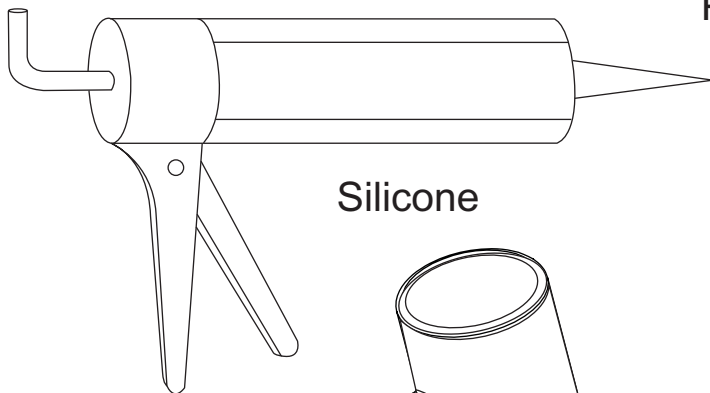
Two people are needed. Please note: although these instructions are comprehensive, We always recommend that a technically competent installer should undertake installation.



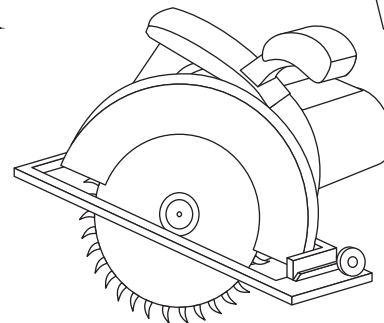
Drill bit to suit wall type  
6mm



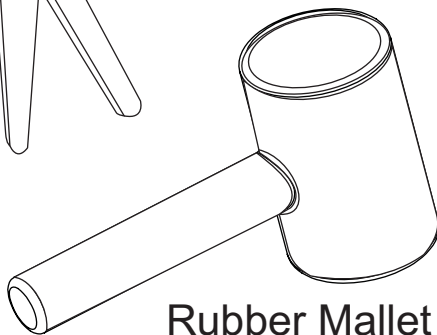
Power drill



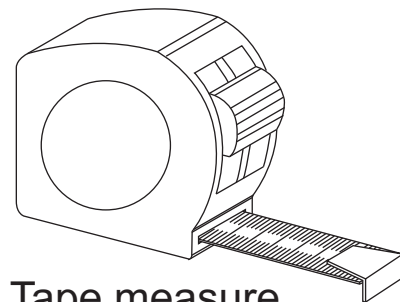
Silicone



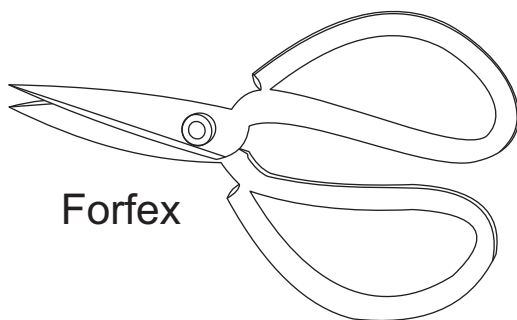
Electric saw



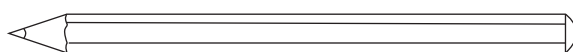
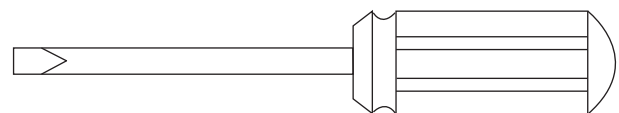
Rubber Mallet



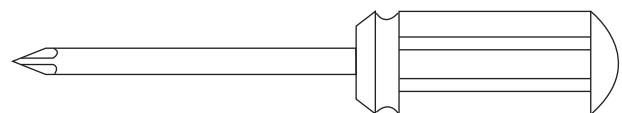
Tape measure



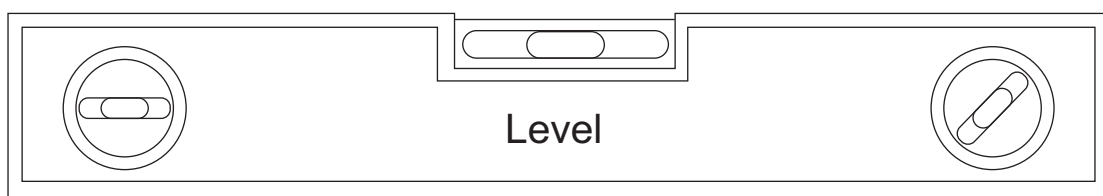
Forfex



Pencil

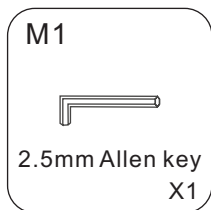
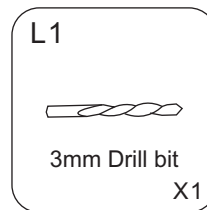
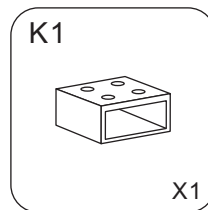
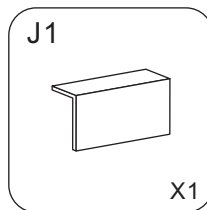
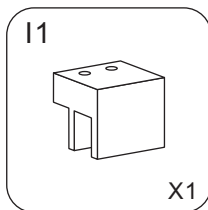
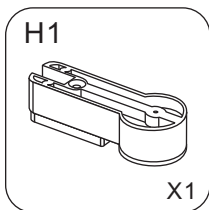
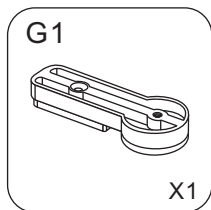
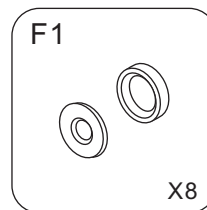
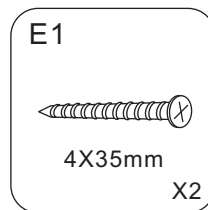
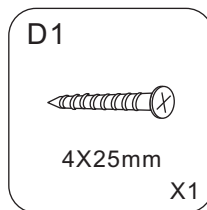
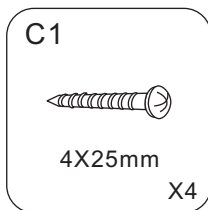
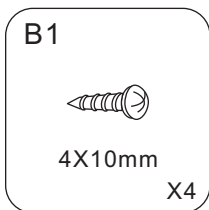
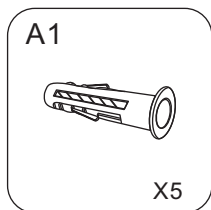
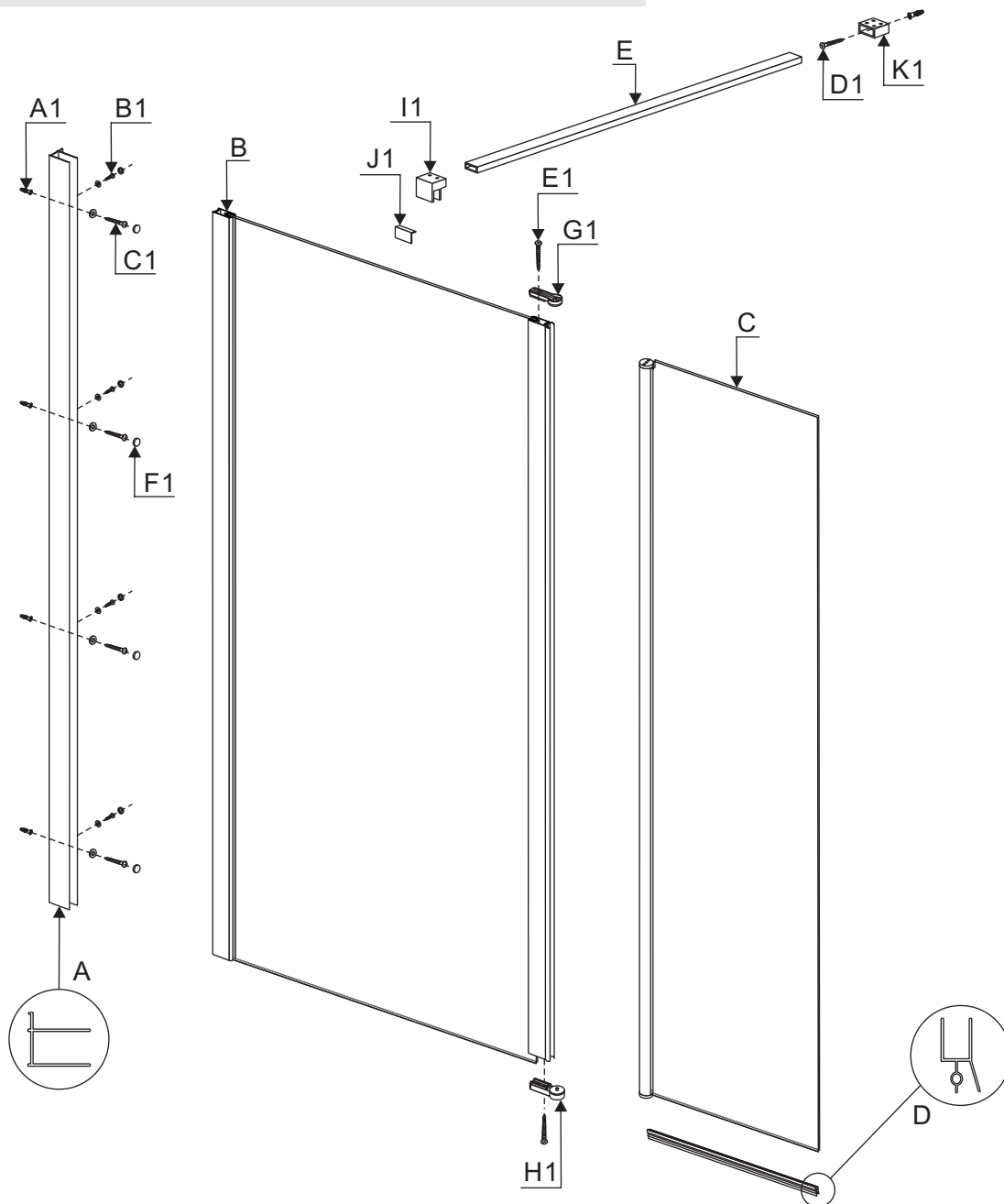


Magnetic cross head screw driver



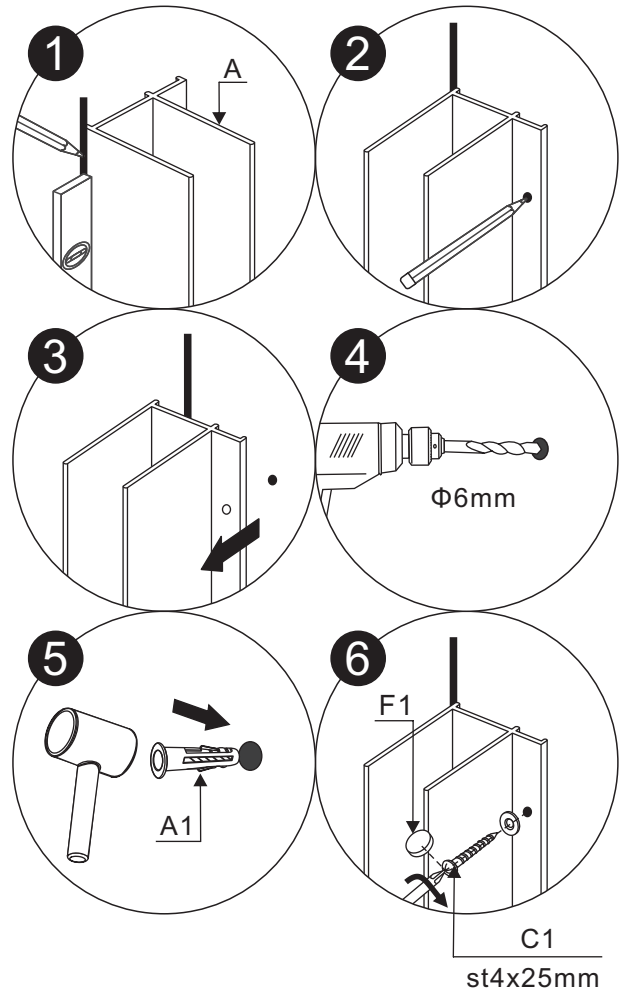
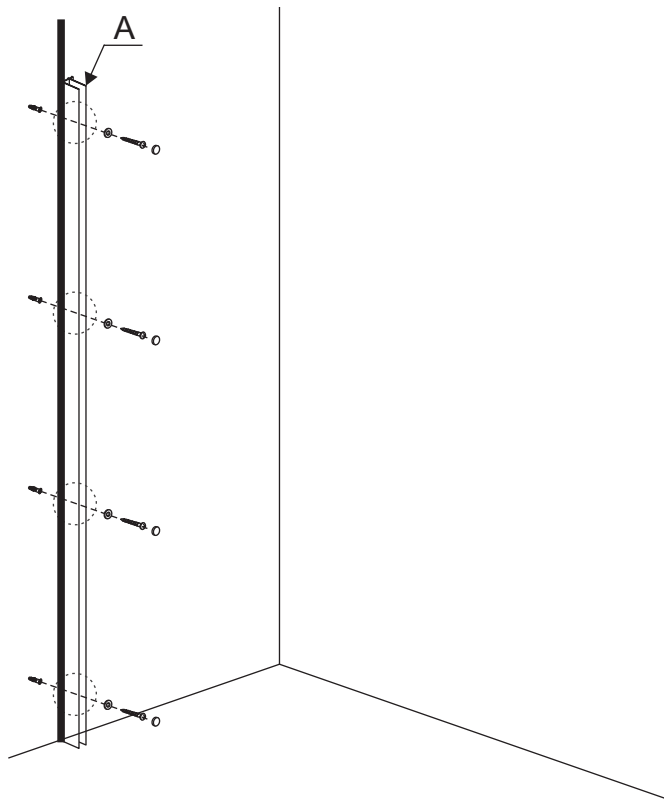
Level

# Installation instructions

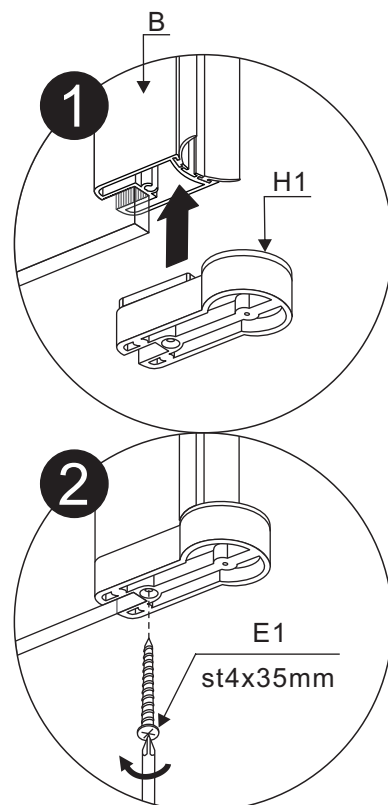
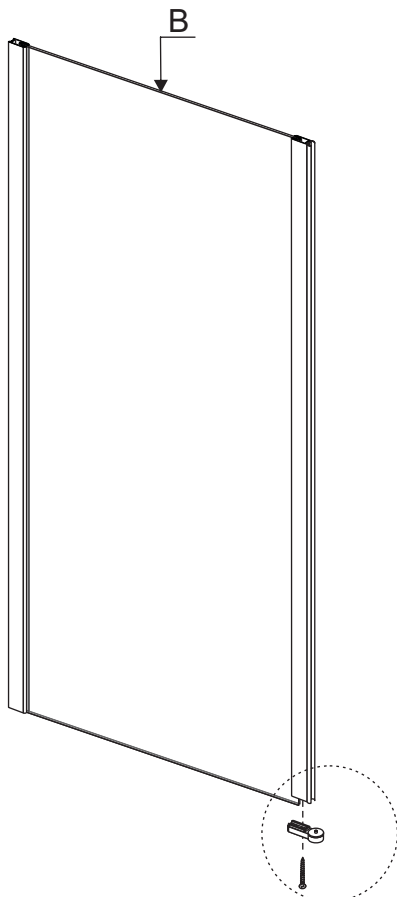


# Installation instructions

1

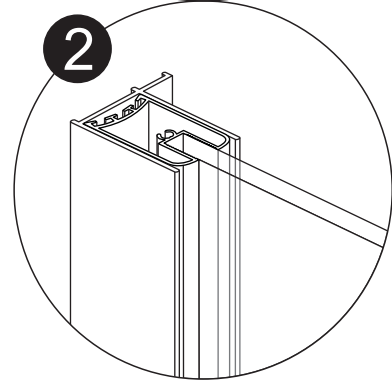
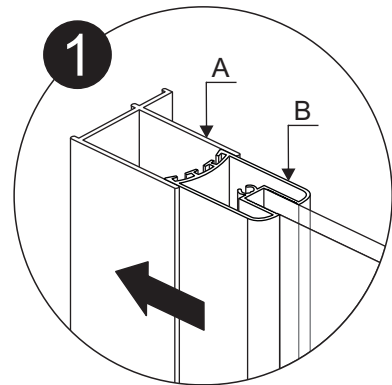
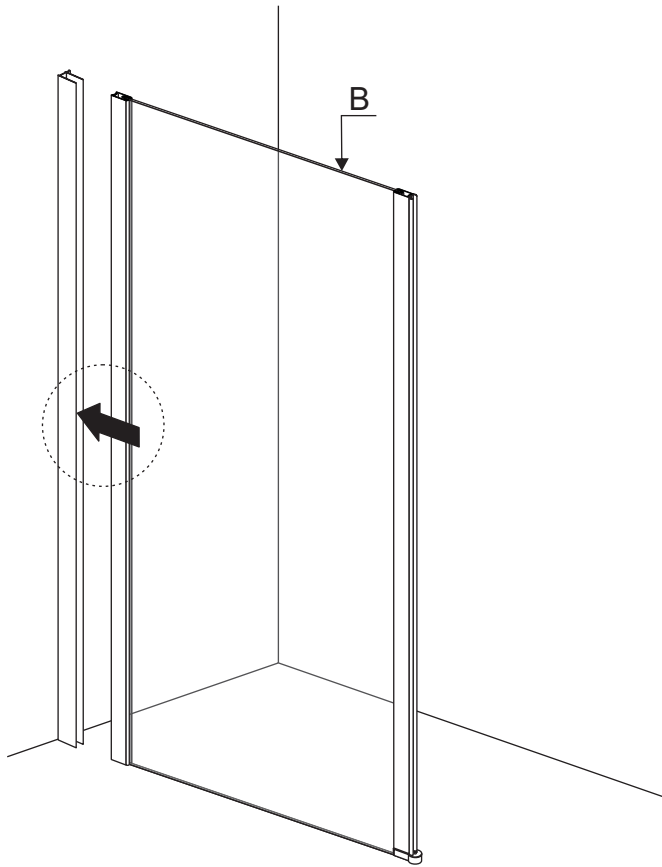


2

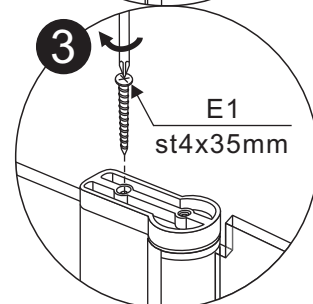
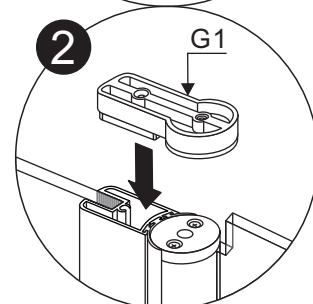
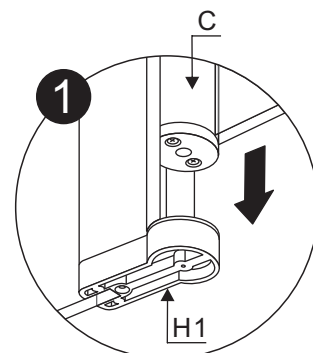
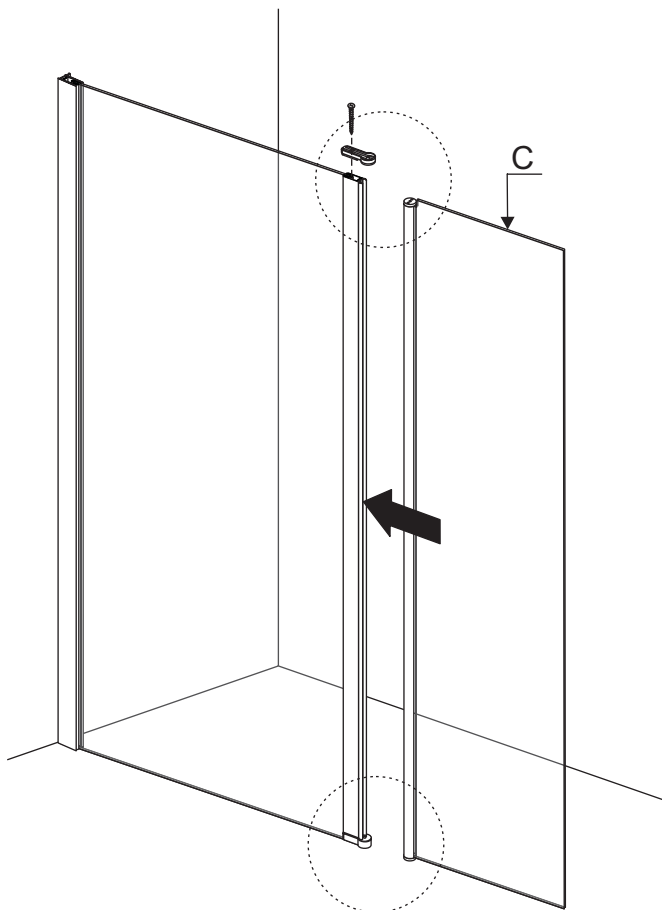


# Installation instructions

3

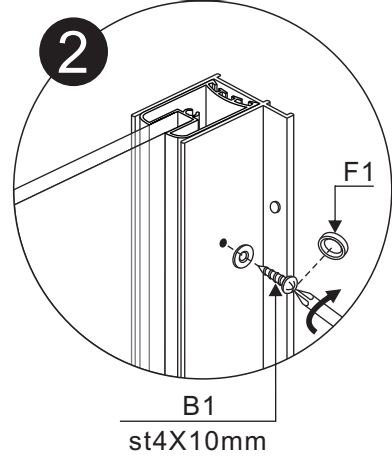
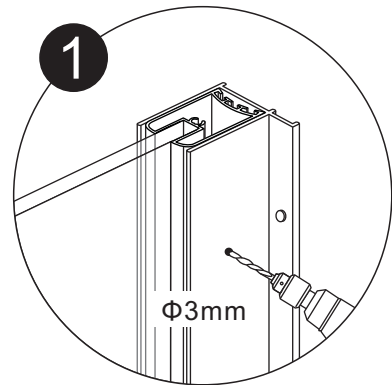
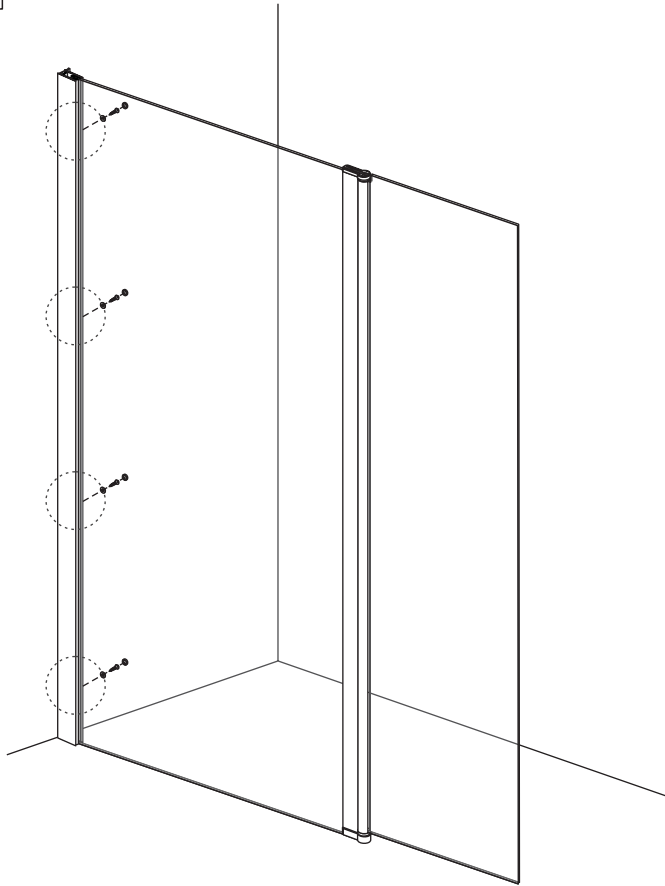


4

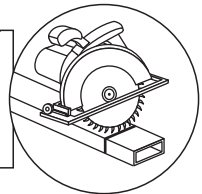
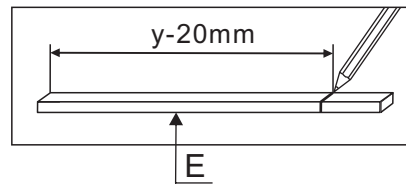
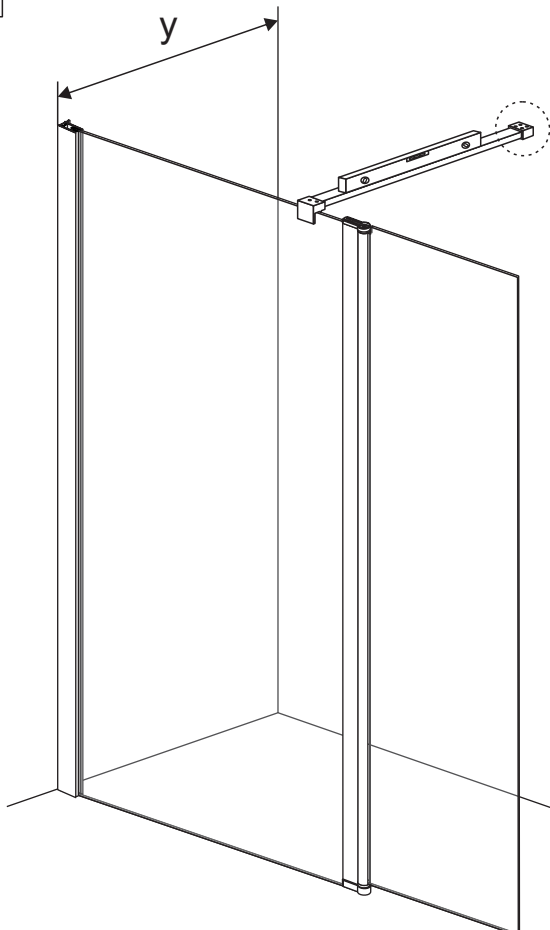


# Installation instructions

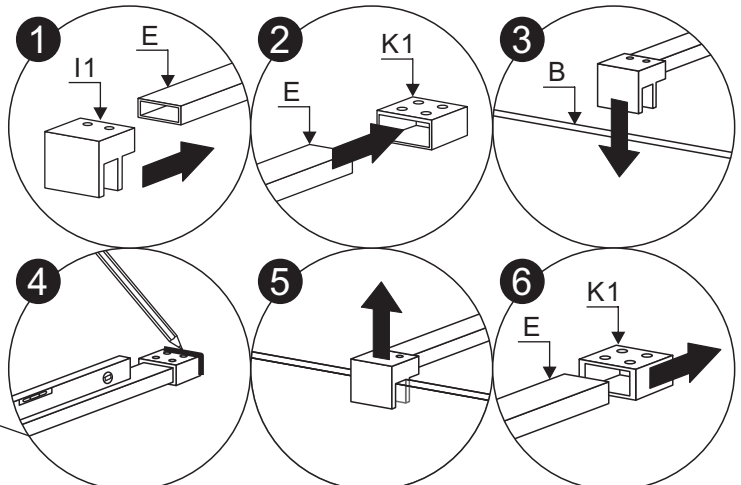
5



6

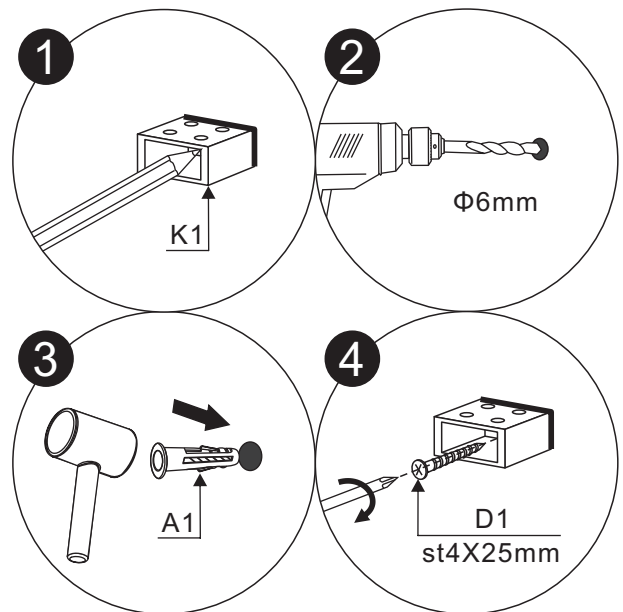
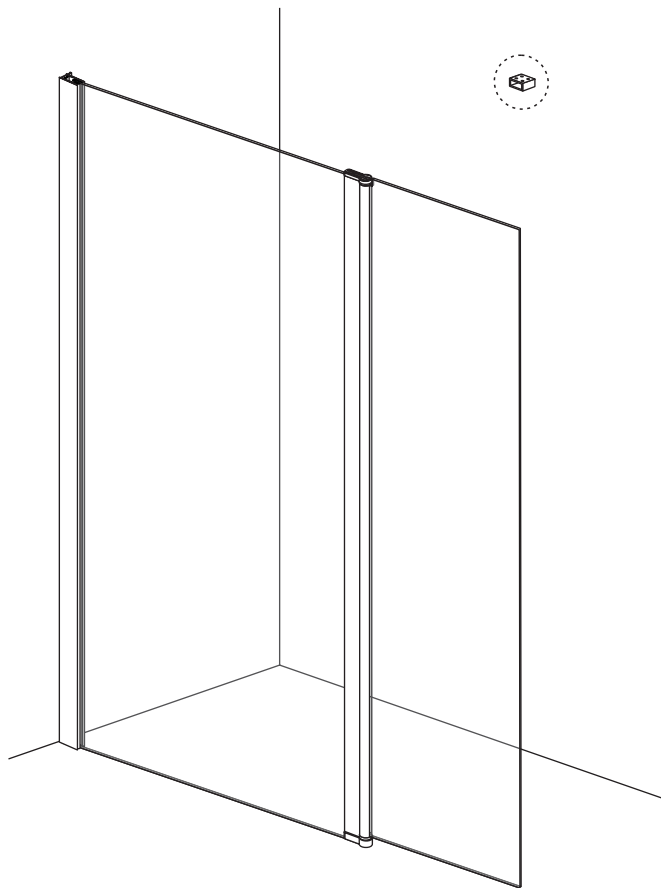


Note: You can cut the support bar to your required length.

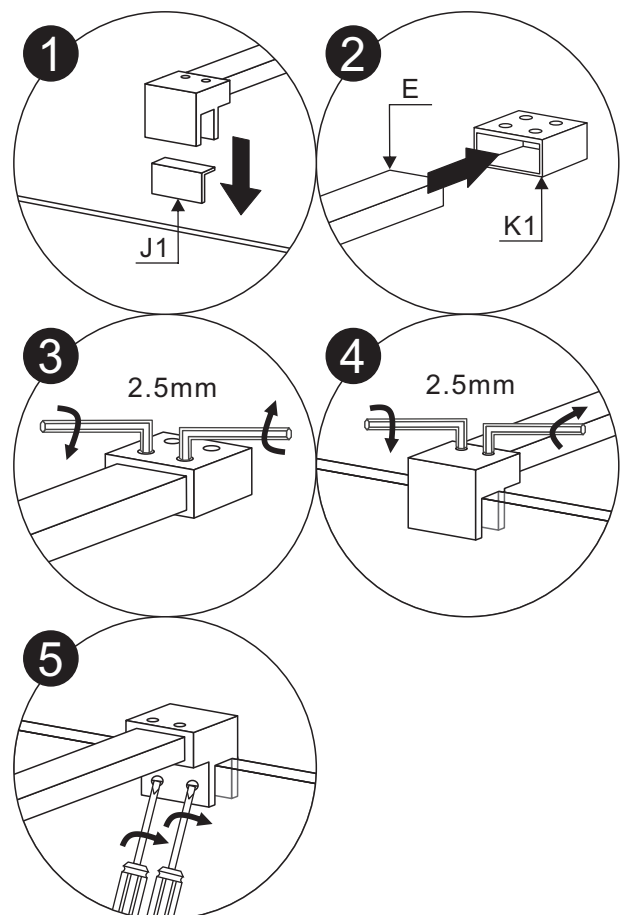
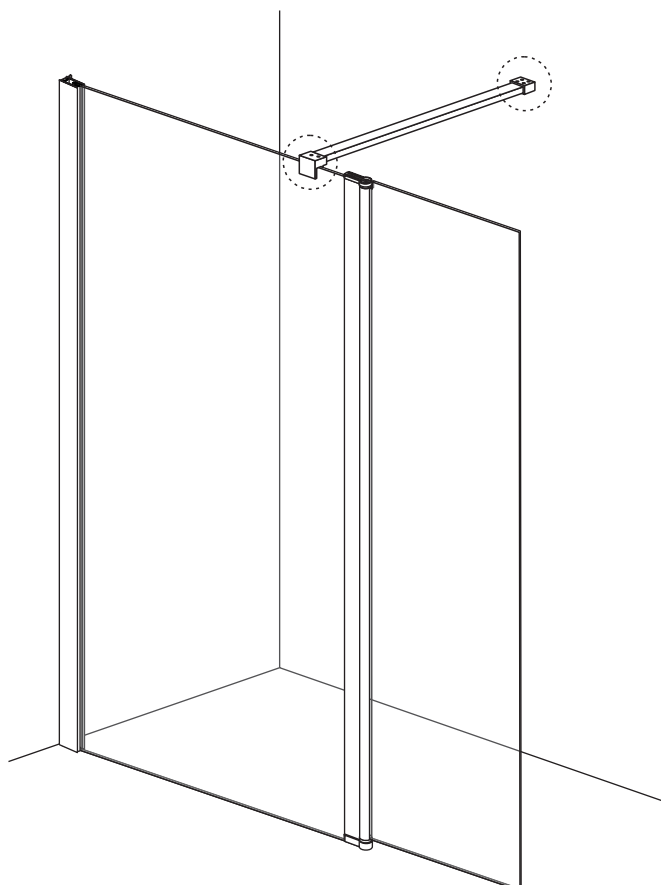


# Installation instructions

7

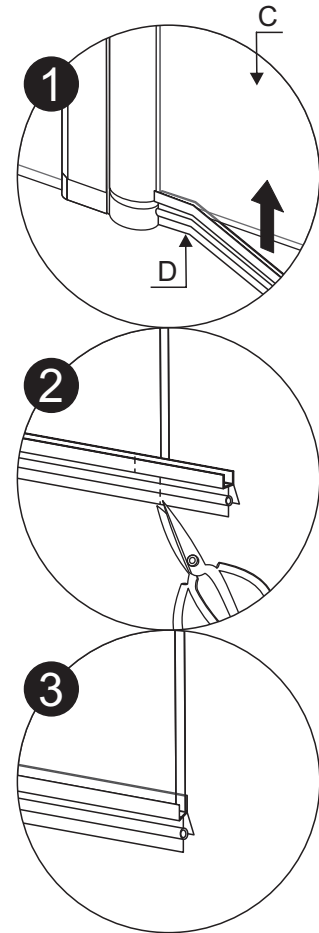
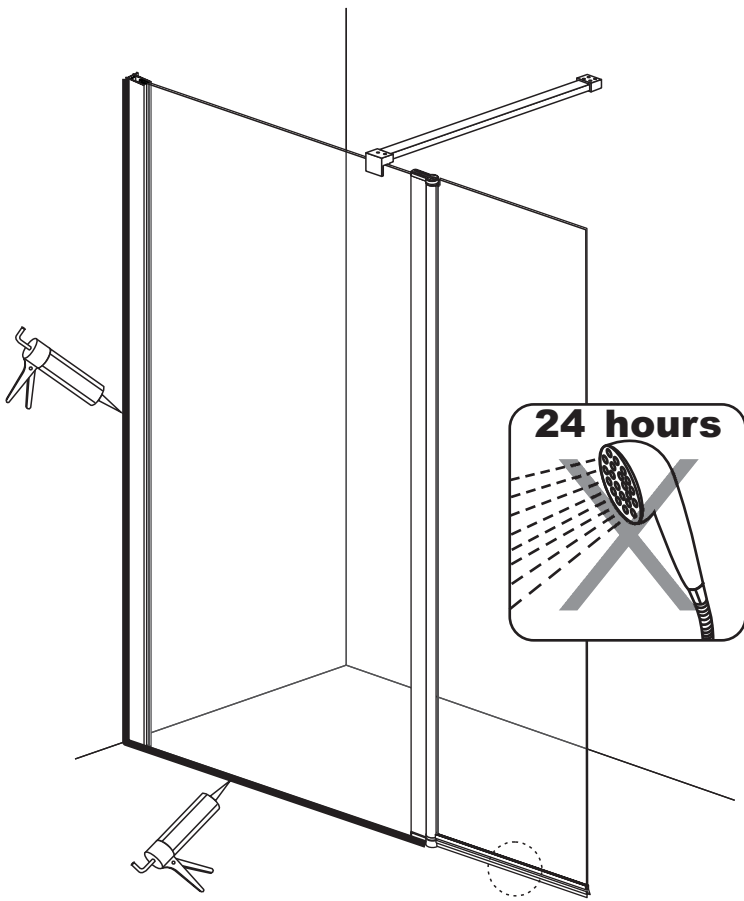


8



# Installation instructions

9





**MORINI**<sup>®</sup>  
GROUP

Prodotto importato e distribuito da:  
MORINI GROUP SRL  
Martina Franca (Taranto) Italy

[www.morini-group.it](http://www.morini-group.it)

Made in P.R.C.