

**MORINI**<sup>®</sup>  
GROUP

Prodotto importato e distribuito da:  
MORINI GROUP SRL  
Martina Franca (Taranto) Italy

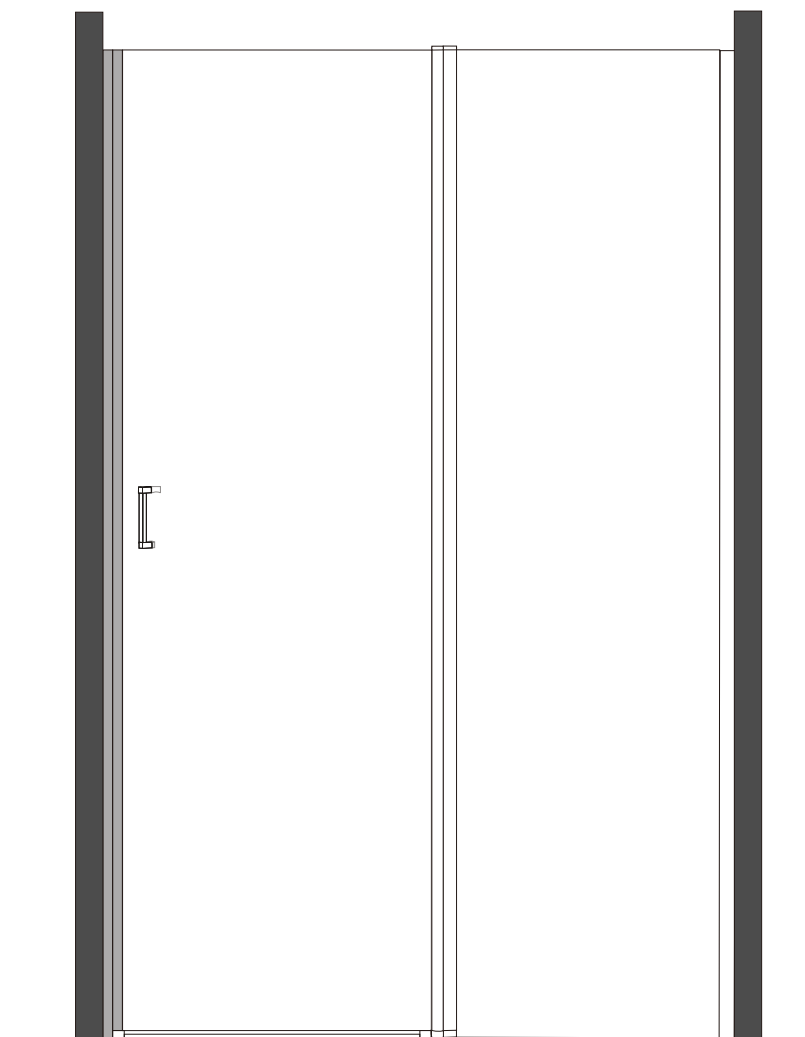
[www.morini-group.it](http://www.morini-group.it)

Made in P.R.C.

**I X B O X**  
*shower*

***Installation Operation Manual***

**KL-002**



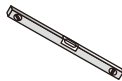

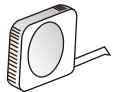



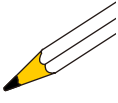

## Important Reminder

1. Please install the shower enclosure according to the instruction strictly, otherwise, it will affect the operational performance.
2. After opening the carton, please check the parts according to the part list.
3. Please handle the glass parts carefully, don't knock on the glass to avoid damage.
4. After installation completely, please use it after 24 hours.





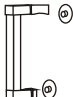



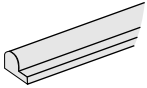




## Notice

1. Do not let children, old people or disabled people enter the room alone.
2. Do not climb or hang heavy things on the shower enclosure.
3. Do not knock and impact the glass with heavy things.
4. Caution slippery on the inside of the shower enclosure.
5. Ordinary liquid detergent should be used with a soft cloth for cleaning.
6. Apply silicone to prevent water leakage.
7. Keep the tray clean, avoid hair and sundries to jam the drain.

## Tools:

			
Spirit Level	5.5mm drill	Tape measure	Cross screw driver
			
Scissors	Silicone Gun	Pencil	Rubber mallet

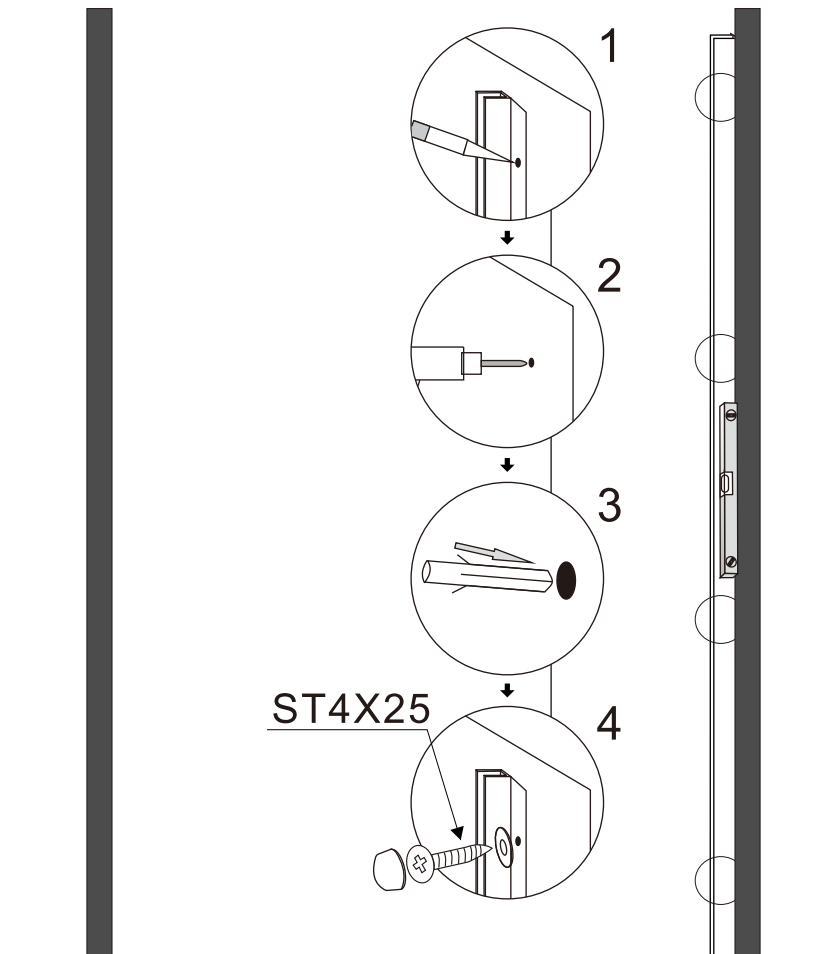
## Part list

<b>A</b>  ST4X25 X8	<b>B</b>  ST4X40 Flathead screws X2	<b>C</b>  Screws ST4X12 X4	<b>D</b>  Wall plug X10
<b>E</b>  Handle X1	<b>F</b>  Drill bit 3mm X1	<b>G</b>  Rubber Seal X1	<b>H</b>  Glass Clip X2
<b>I</b>  Bottom Rail X1	<b>J</b>  Pivot door X1	<b>K</b>  Aluminium alloy X1	<b>L</b>  Aluminium alloy X1
<b>M</b>  Aluminum alloy with magnetic stripe X2			

# Installation Procedure

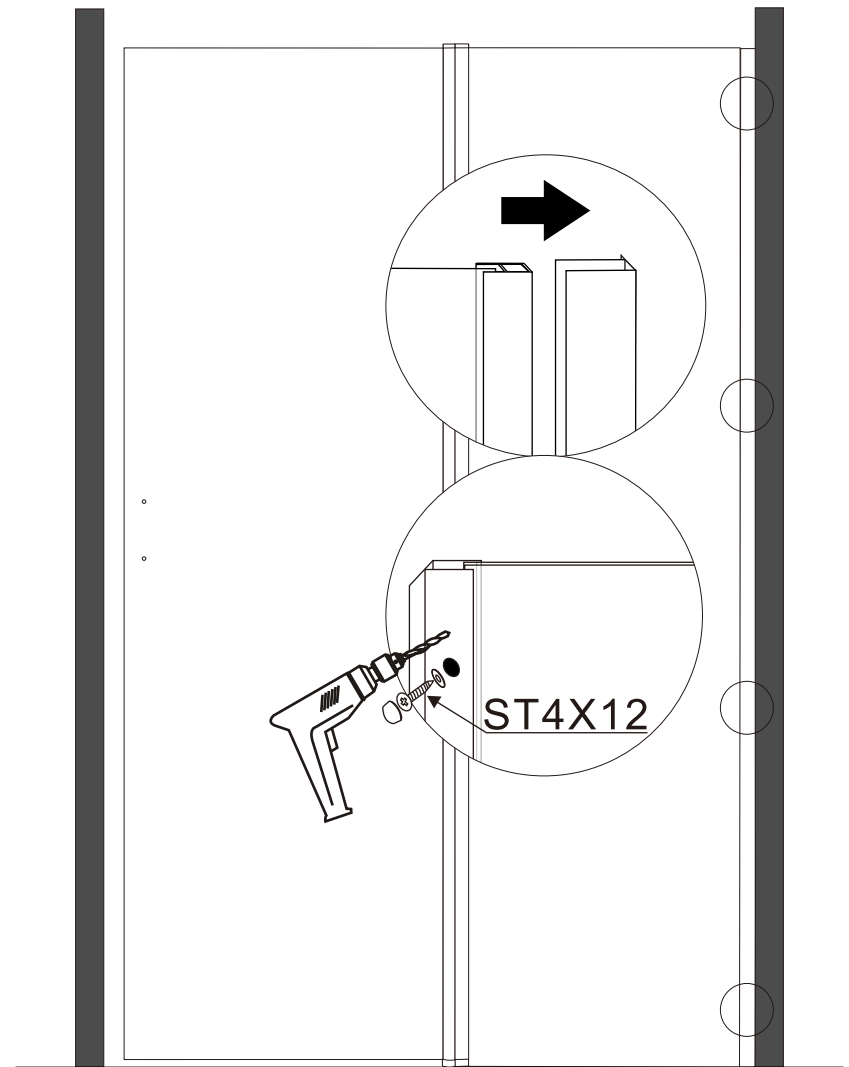
## STEP1:

### Wall profile assembling

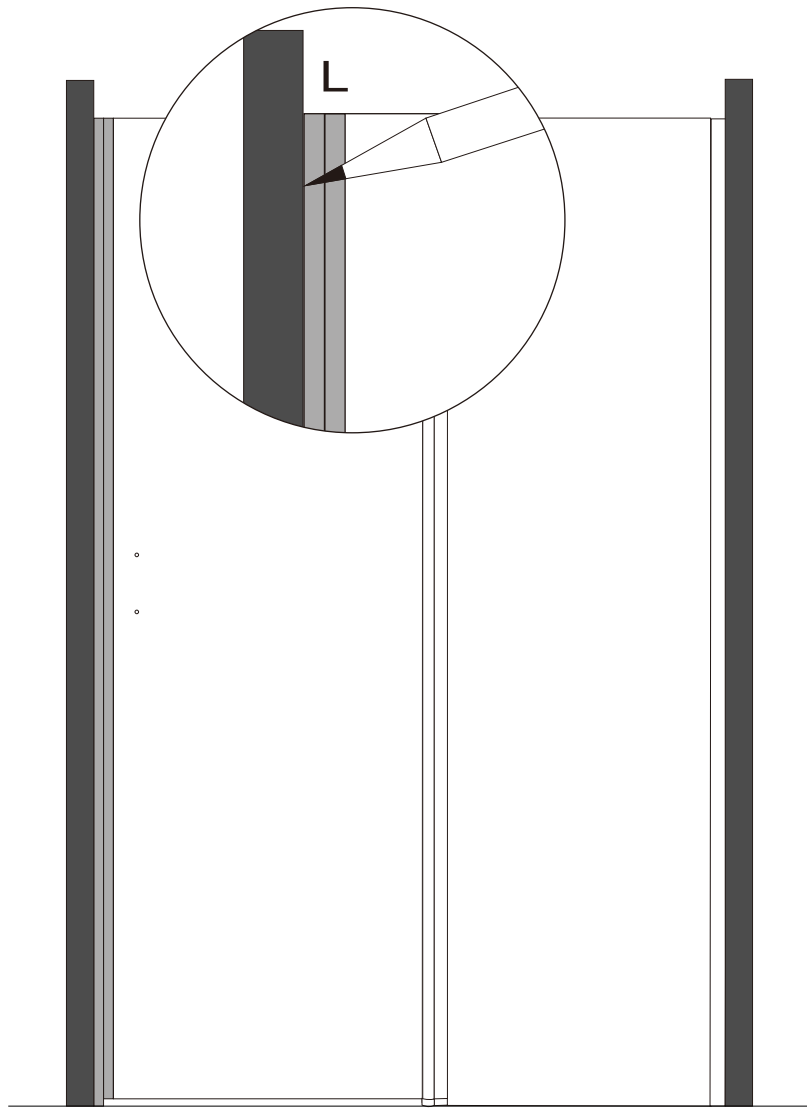


- Place the wall profile in position. Adjust the wall profile until it touches the wall.
- Mark the position of wall profile on the wall with a pencil.

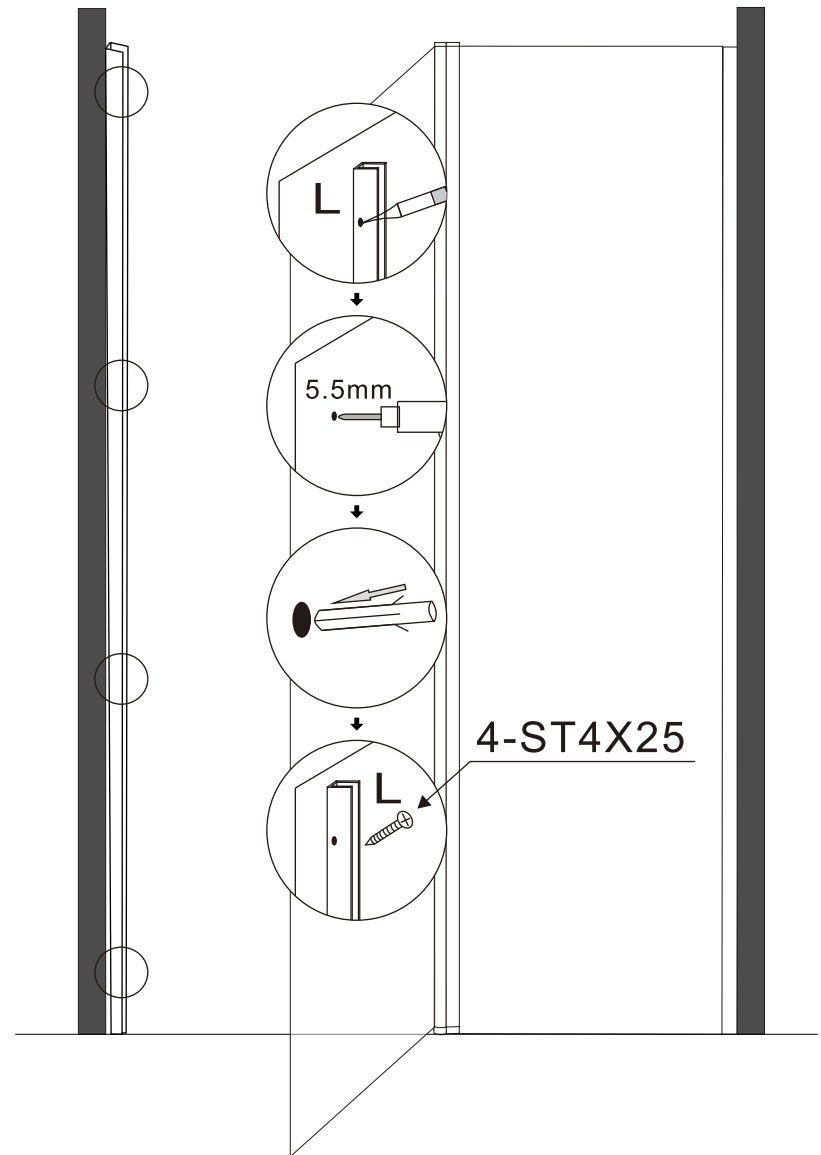
## STEP2:



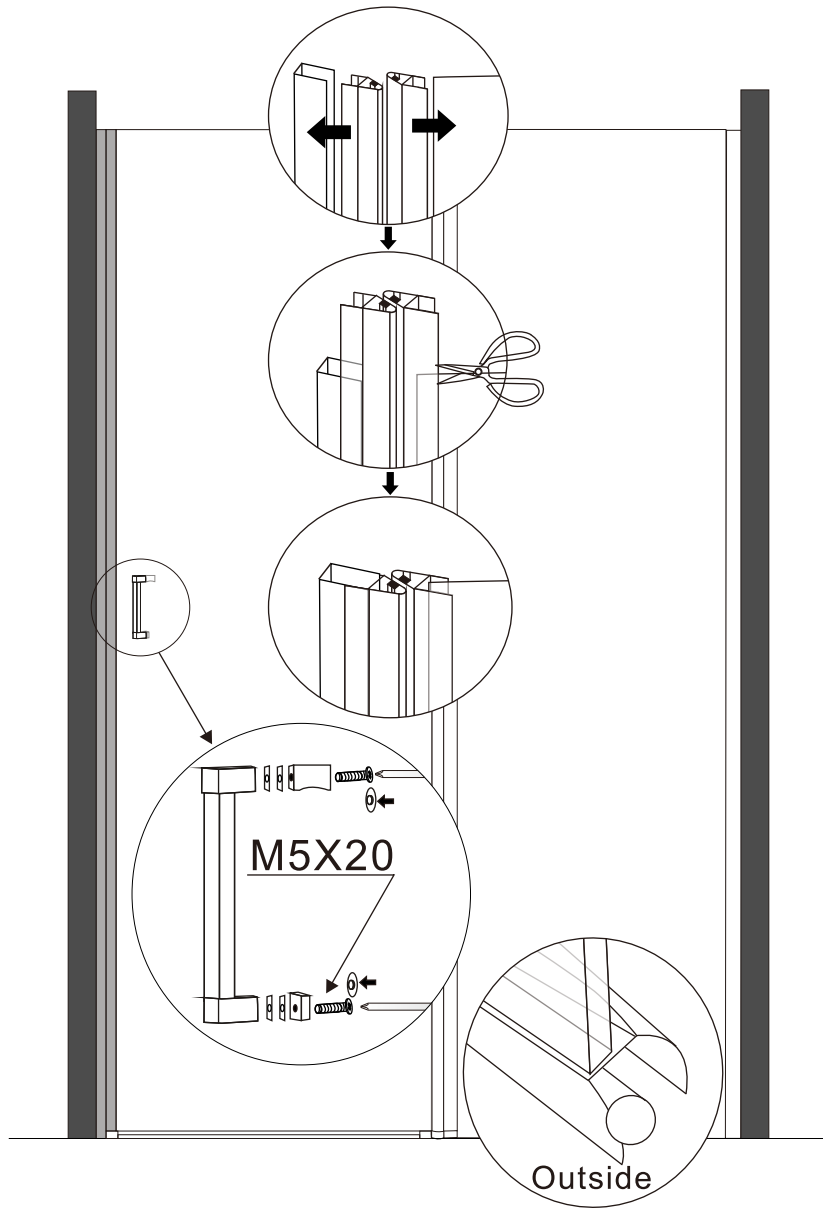
### STEP3:



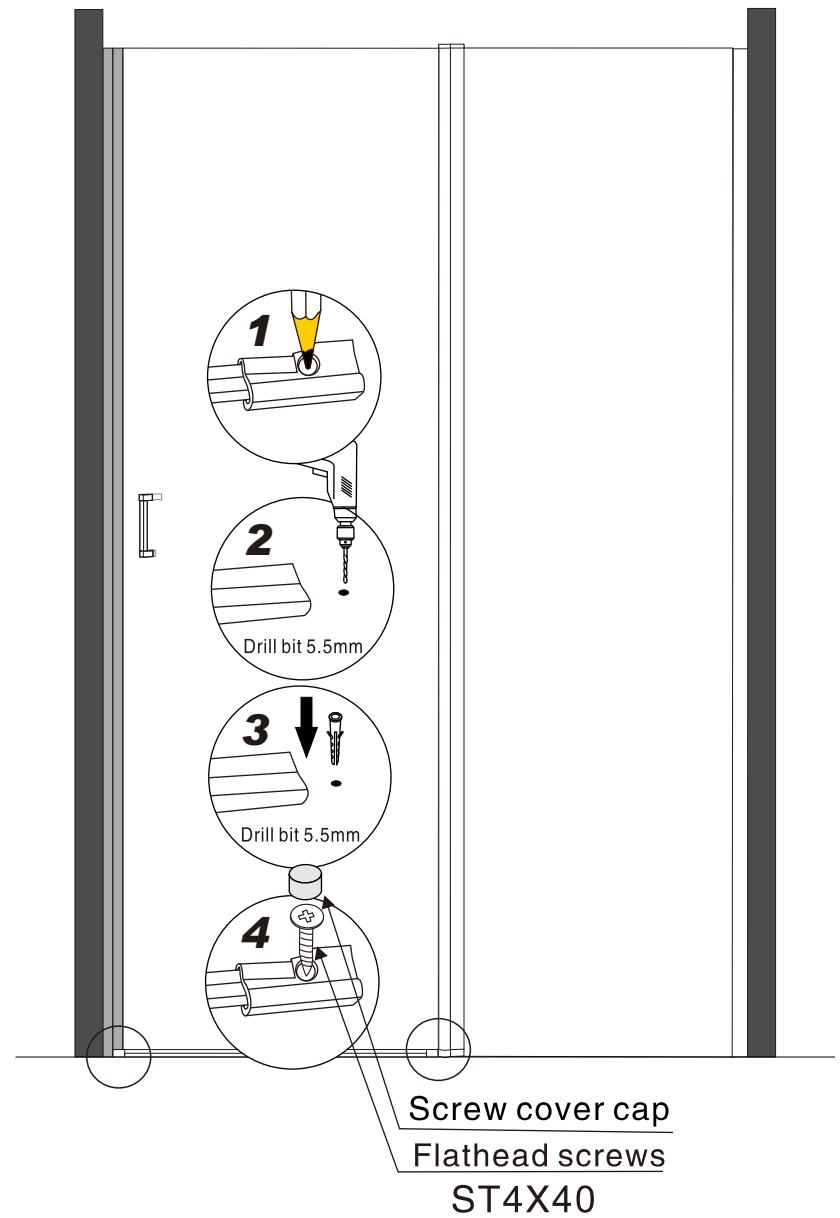
### STEP4:



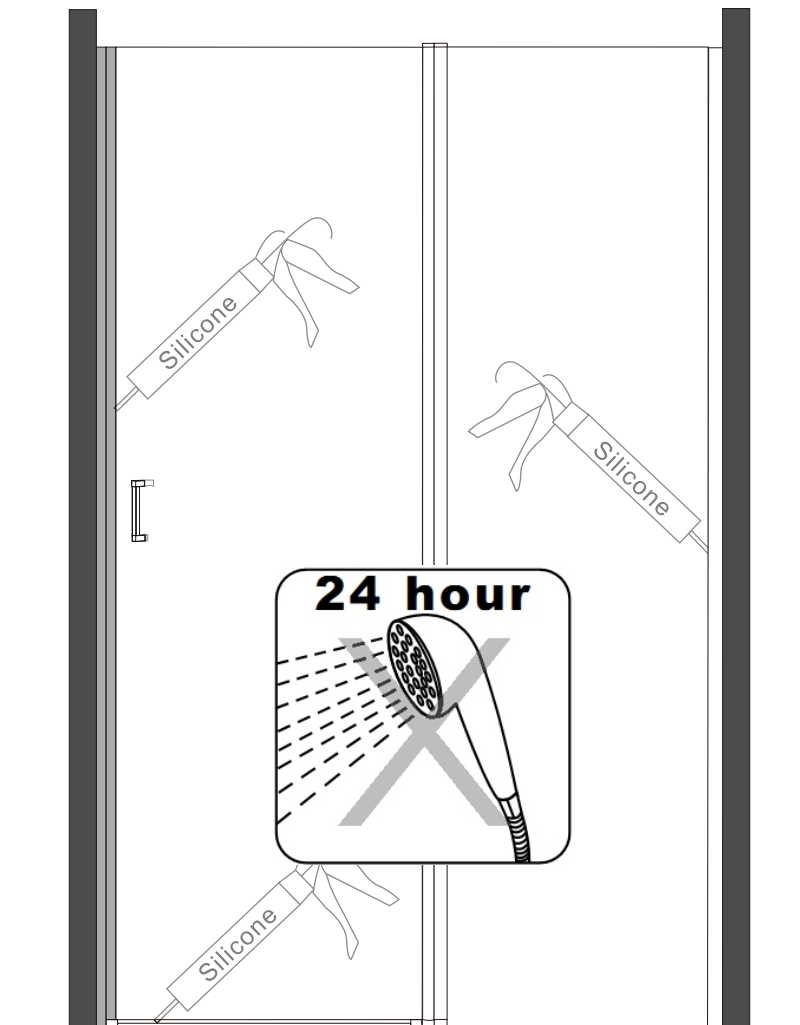
## STEP5:



## STEP6:



## STEP7: Silicone Application



- Apply silicone sealant to all joints between wall profiles and tray.
- Do not use the enclosure for 24hours, to allow the silicone to dry completely.