

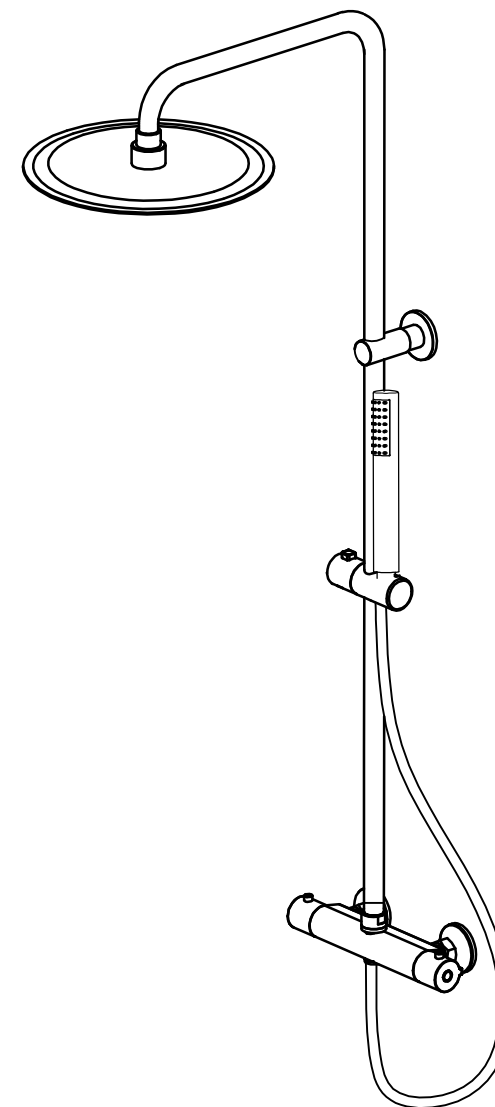
**I X B O X**<sup>®</sup>  
*shower*  
W E T F O R F U N

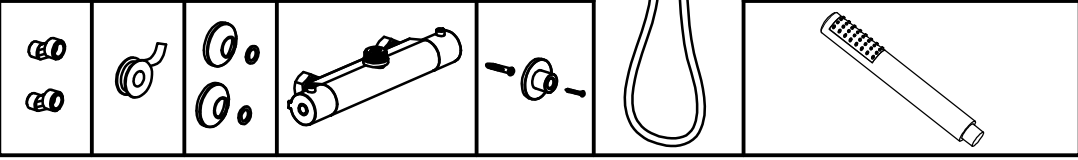
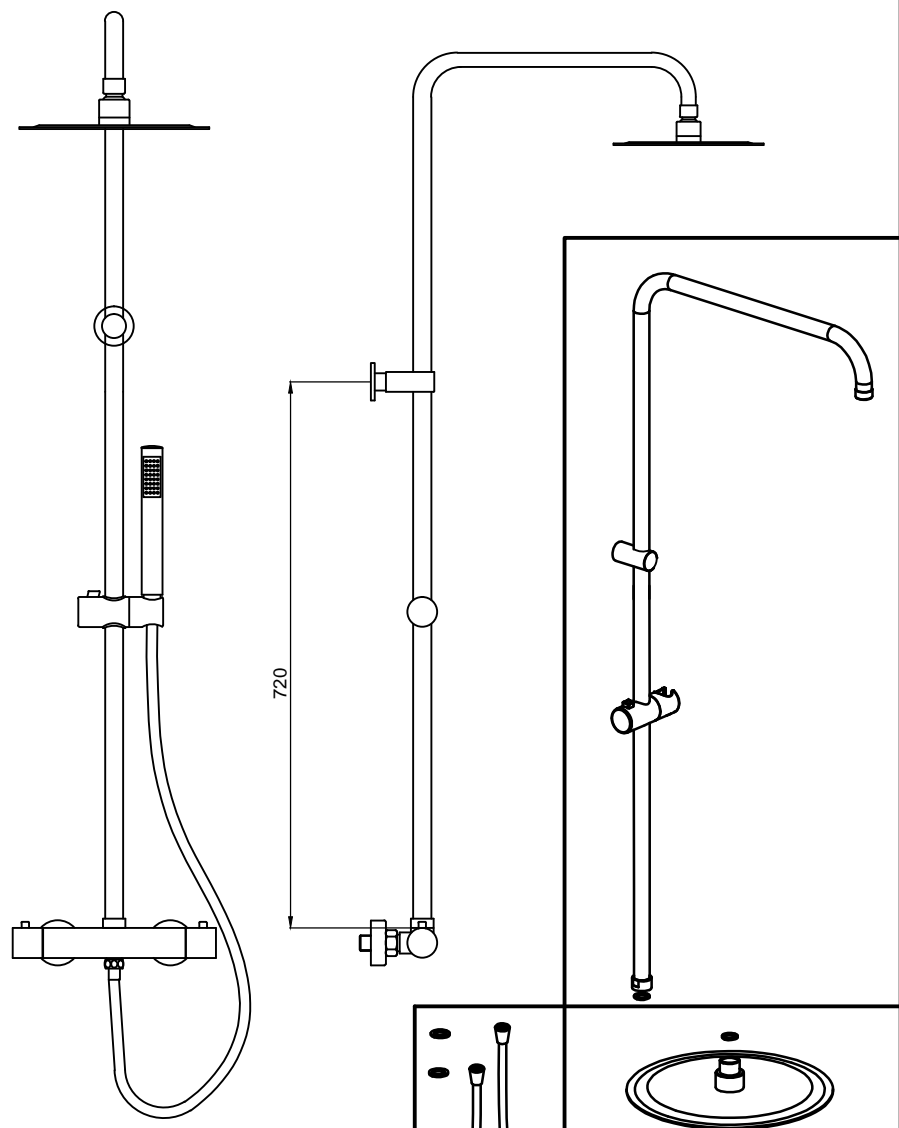
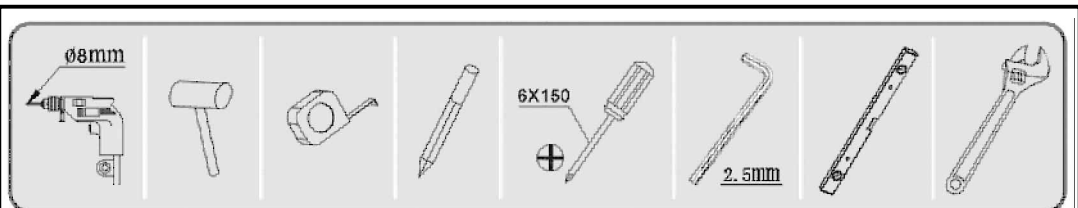
**I X B O X**<sup>®</sup>  
*shower*

W E T F O R F U N

# INSTALLATION MANUAL

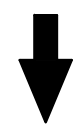
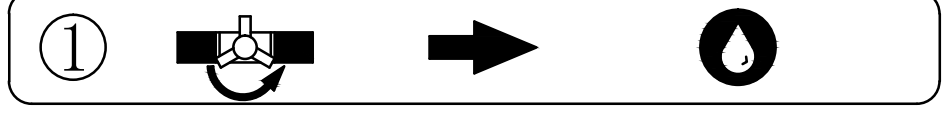
## AF3B076C



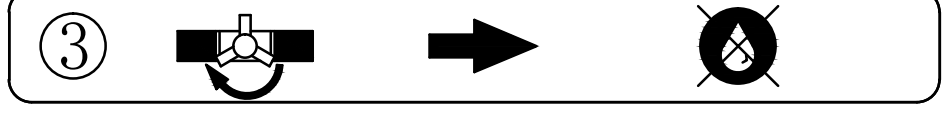
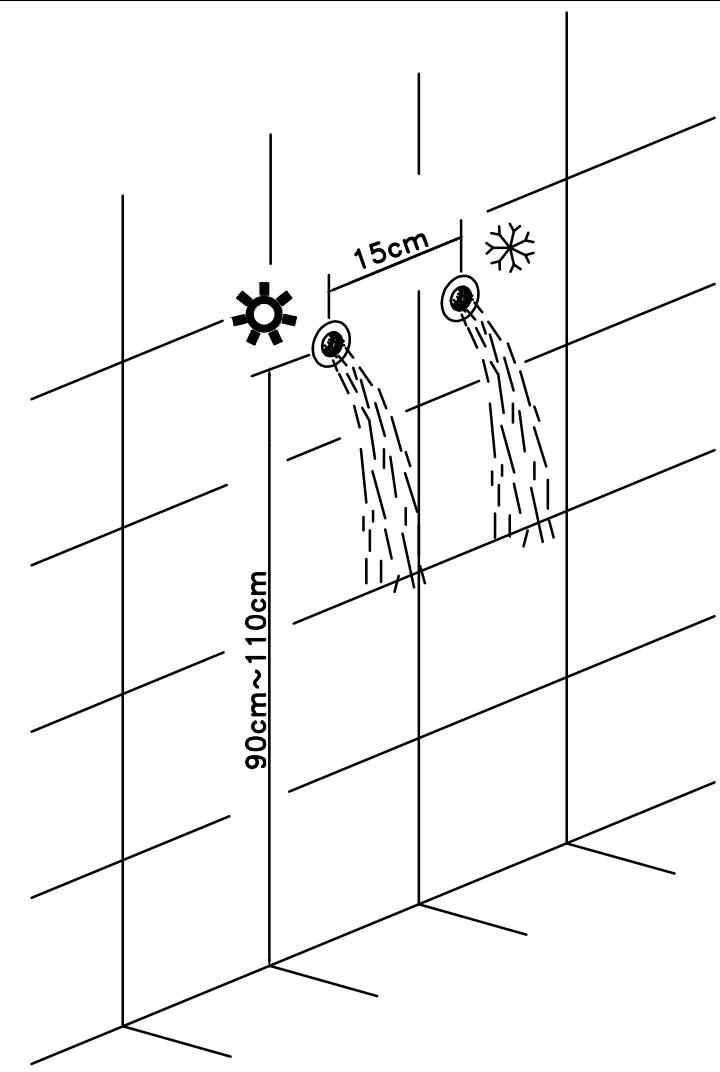
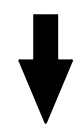


1

Flush the water supply lines thoroughly to remove shavings and impurities. Cut off the water before installation.



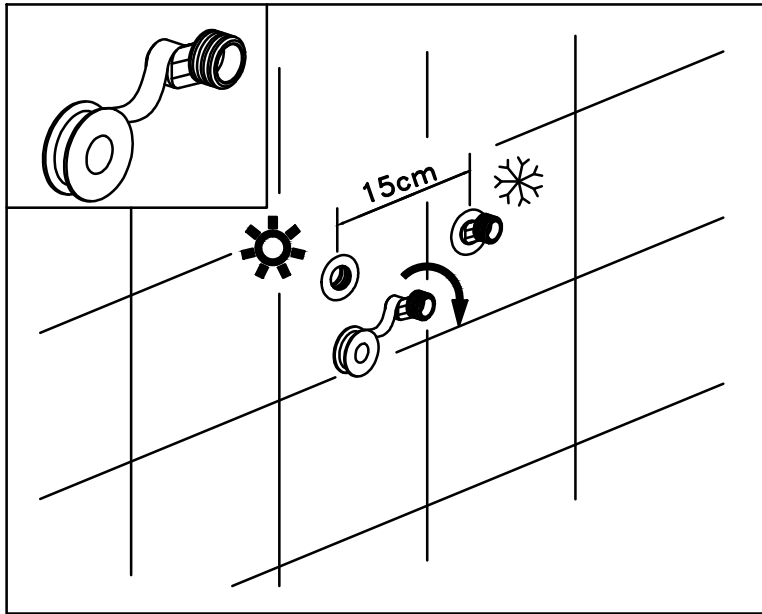
②



2

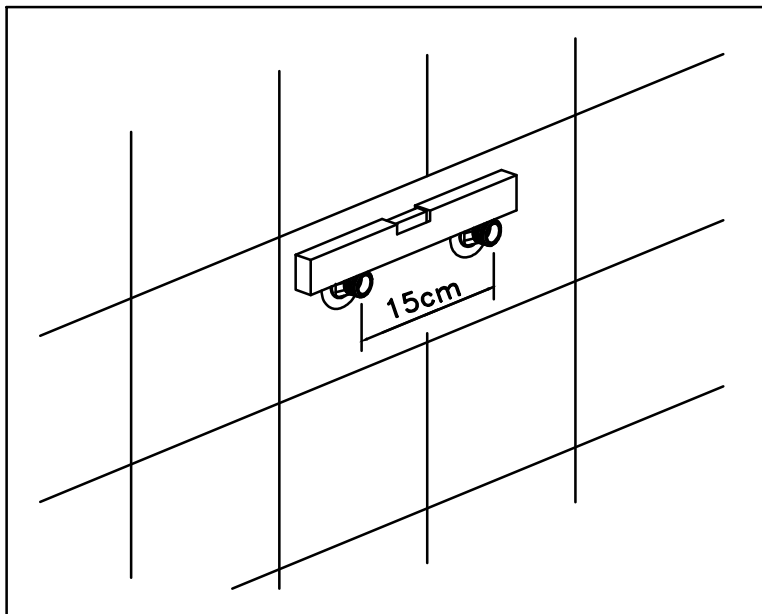
Apply thread sealant to the eccentric reducers and connect with inlet pipes.

1



Adjust center length and horizontality of the reducers.

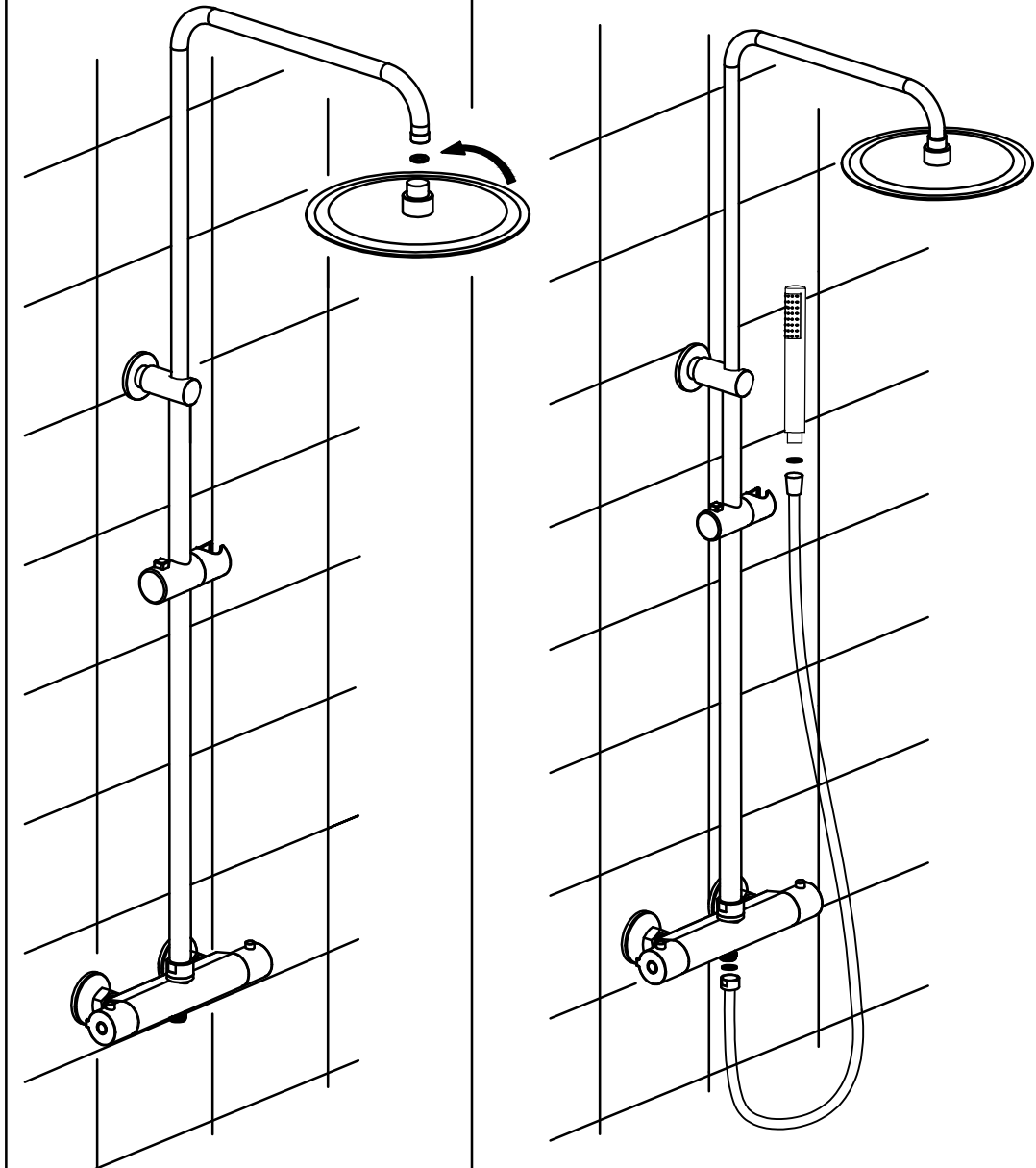
2



7

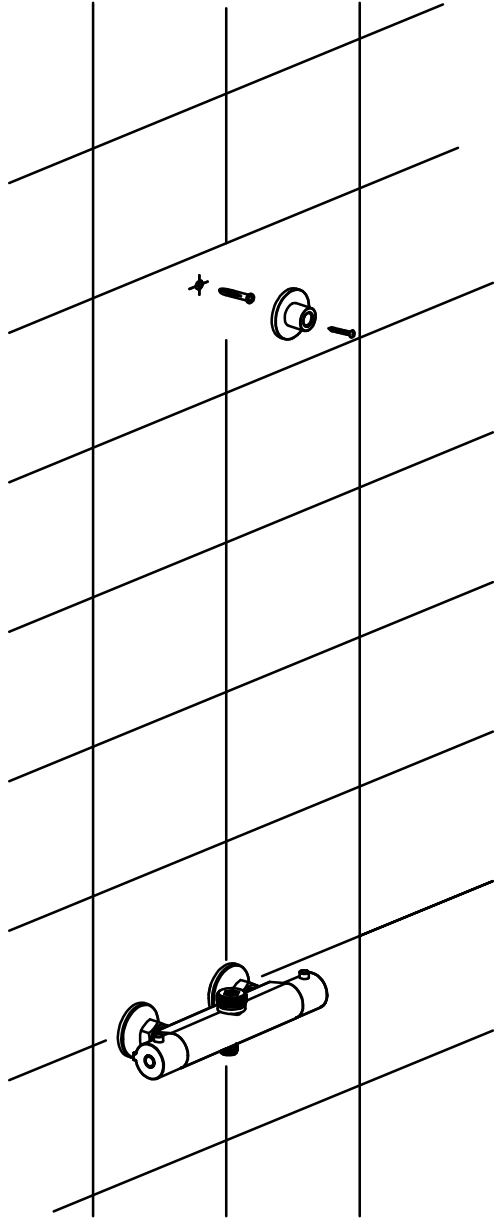
Connect the shower head with the shower tube.

Hand tight the hand shower with the shower tube and connect the other side of shower hose with the faucet.

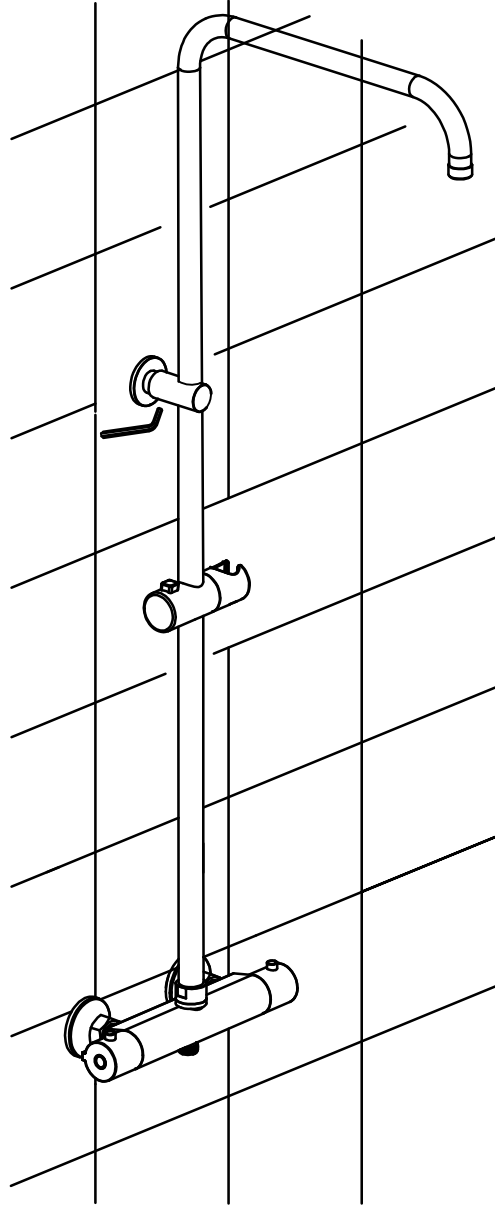


6

Insert expansion screw into the hole and fix the wall seat.

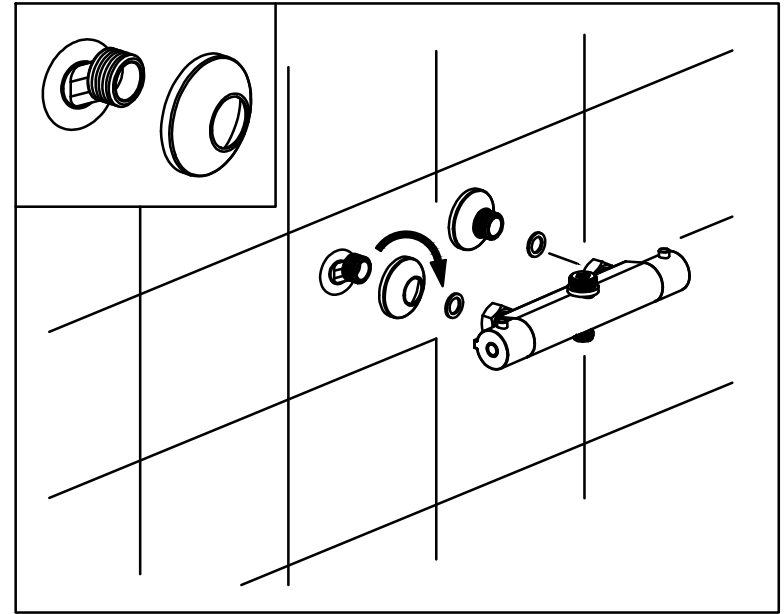


Install the shower tube and tight the tube and wall seat by allen key.



3

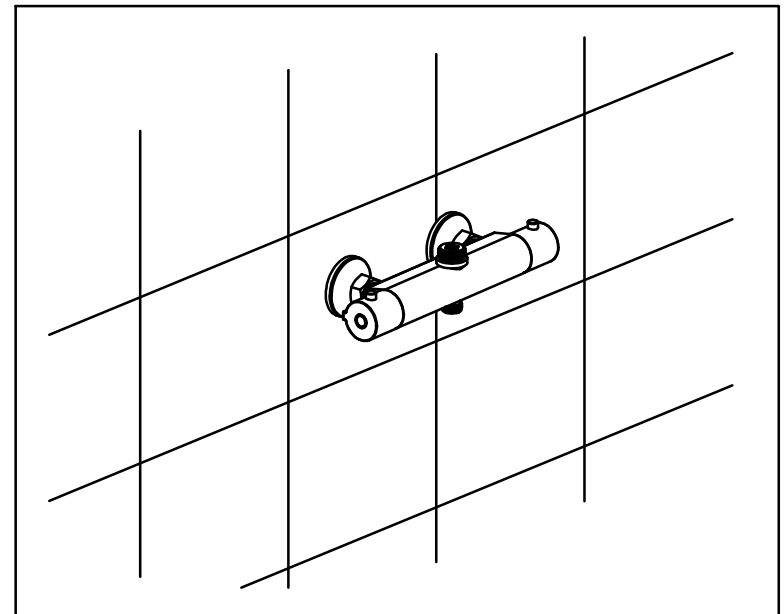
Put metal cover on the reducers, then put two gaskets into faucet water inlets.



1



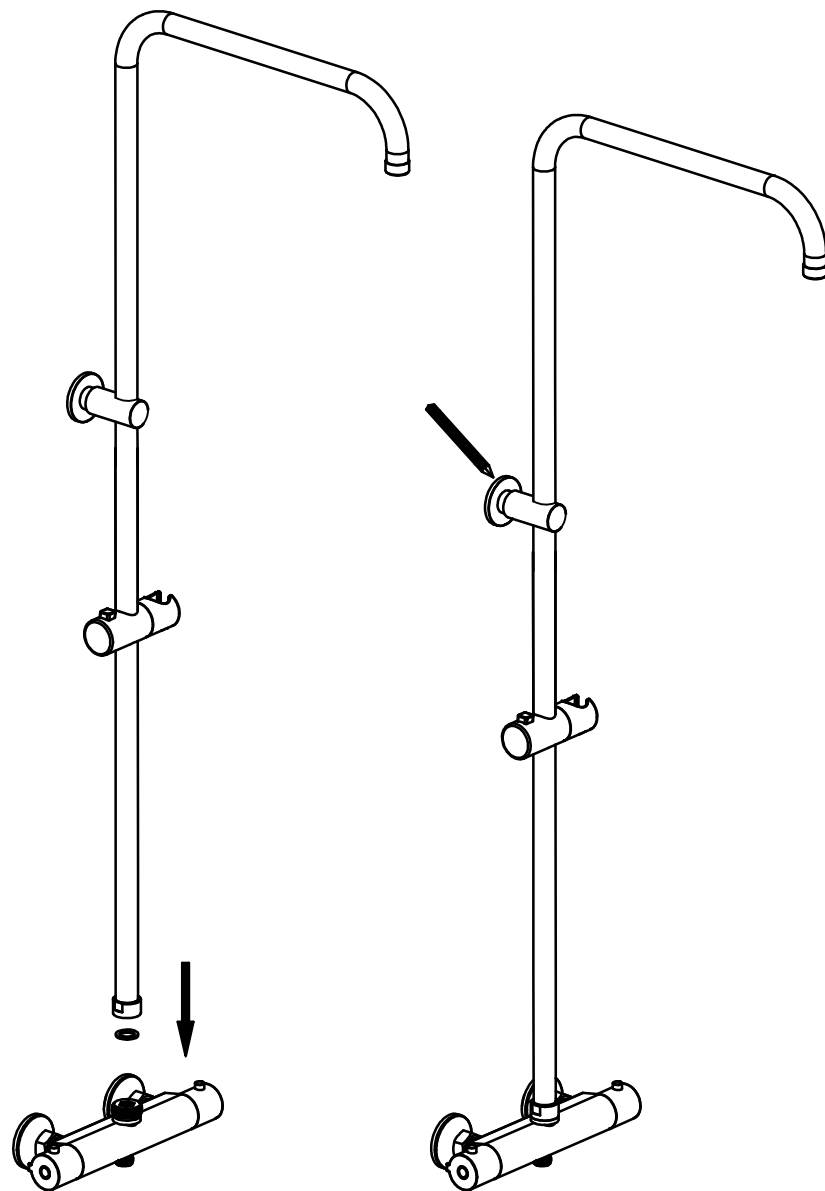
Connect faucet inlets with reducers.



2

4

Connect shower tube with faucet and mark the correct installation position of the wall seat.



5

Disconnect the shower tube and faucet.

Drill a hole of 6mm on the wall.

