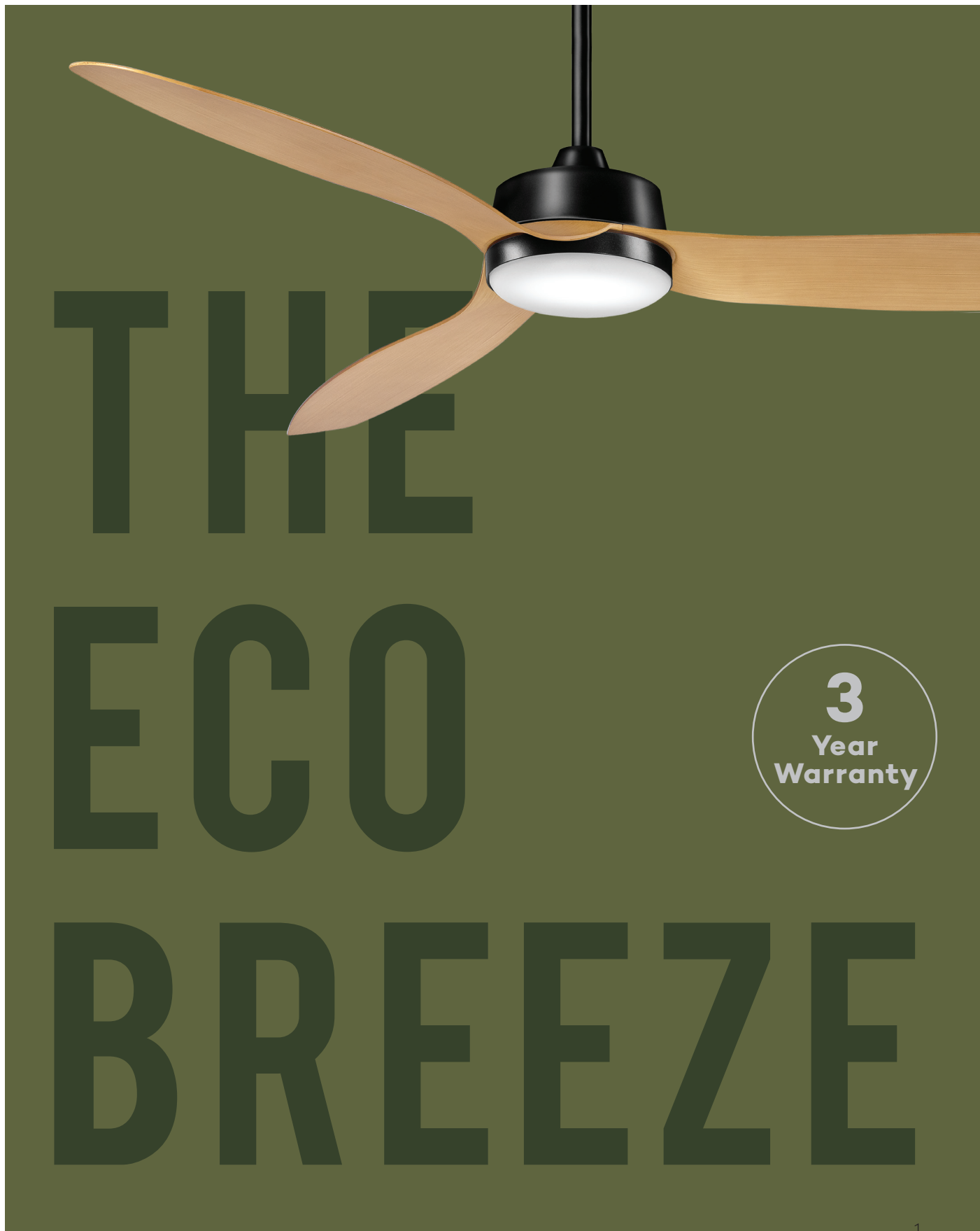


Installation manual for SWING ceiling fan

DELTA | ref: 85080

SWING

FANS



Be sure to read this manual and all safety information carefully before installing your new fan.

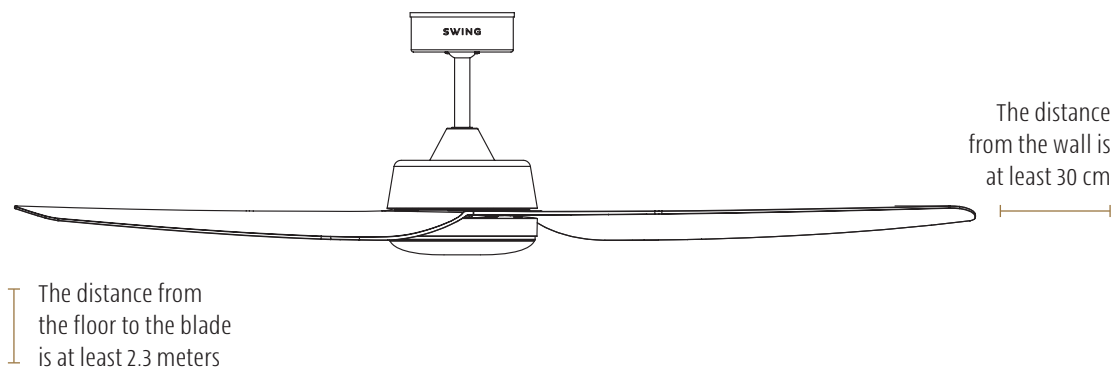
Attention! The installation of the ceiling fan and its accessories shall be carried out in accordance with the safety, wiring and installation instructions specified in this manual. Installation not in accordance with the instructions may damage the fan and constitute a violation of the warranty conditions specified in the Warranty*

* The warranty appendix is at the end of this manual

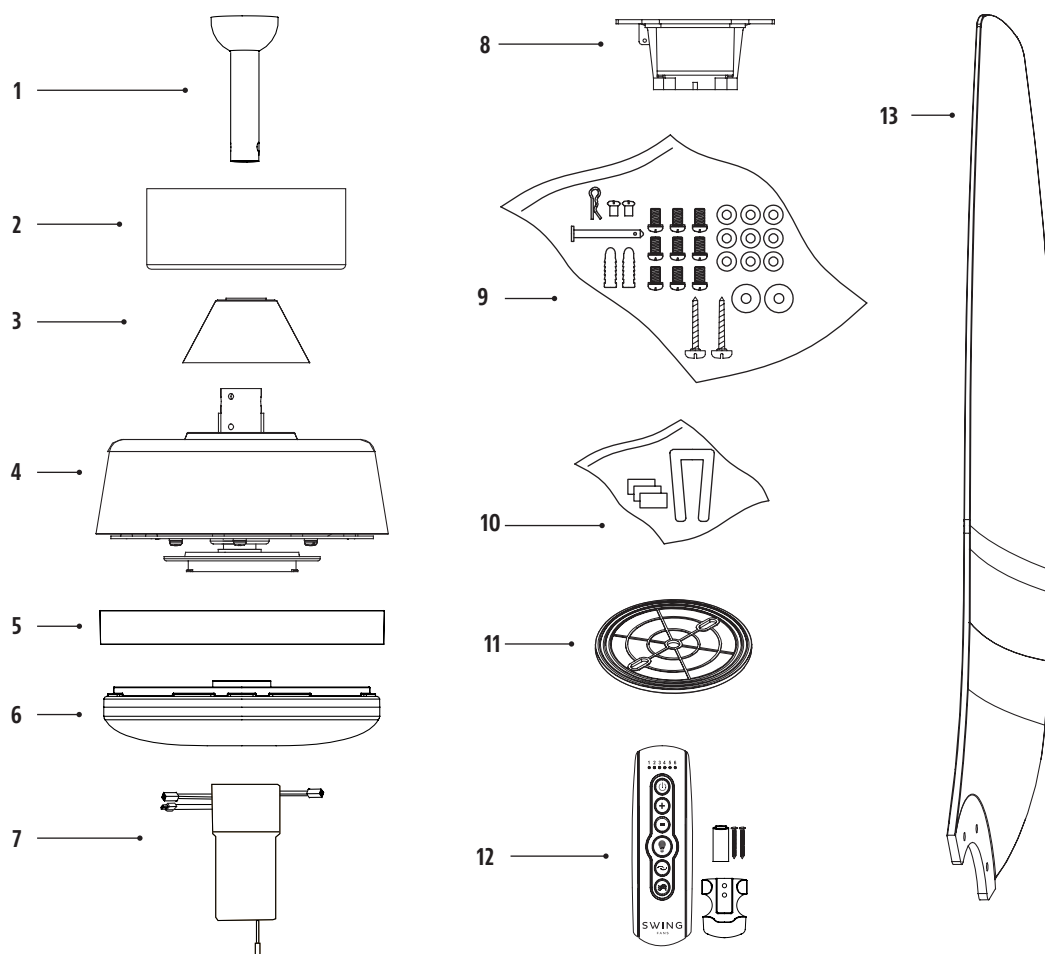
General safety instructions

- Turn the fan off and wait for the blades to stop completely before performing any maintenance or cleaning.
- This fan is intended for Indoor and outdoor.
- This fan has a DC type motor.
- A light fitting is included with this fan.
- This ceiling fan is suitable for operation with a SWING LED GX53 light fitting.
- SWING fans should only be installed and operated using SWING accessories, remote control, downrods, light fitting and blades.
- This ceiling fan must be securely connected to a solid structure. Under no circumstances should the Hanging bracket be installed on plaster boards only!
- Use all screws provided with the fan! Failure to use all screws poses a safety hazard and may result in serious injury.
- Ensure that the accessories used to install the hanging bracket on the ceiling, are adapted to hold a moving weight of at least 30Kg
- The blades should be fitted to the fan motor only after the motor is hung properly on the ceiling. fitting the blades while the motor is on the floor or on any other surface, may damage or cause them to bend.
- Before starting any kind of electrical work shut the power off at the circuit breaker in the fuse box.
- This ceiling fan must be grounded.
- Do not disconnect the plugs from the wiring and do not change the wiring in any way.
- Ensure that the minimum distance between the blades and the floor is 2.3 meters, and a minimum distance between the tip of the blades and the wall is 30 cm.
- Ensure that the fan blades can rotate freely without any obstructions. (windows, doors, cupboards, etc.)
- After you install the fan make sure that all mounting components are secured to prevent the fan from falling.
- Do not insert anything into the fan blades while the fan is operating

When installing the fan, make sure that a minimum distance from the walls and floor is maintained, and that the blades can rotate freely without any obstructions when the fan is switched on.



The parts of the fan



- 1 | Down rod and ball-joint
- 2 | Ceiling cover
- 3 | Decorative cover
- 4 | Fan motor
- 5 | Light fitting cover

- 6 | Light fitting
- 7 | Receiver
- 8 | Hanging bracket
- 9 | Kit of screws

- 10 | Balancing kit
- 11 | Cover
- 12 | Remote control
- 13 | Fan blades

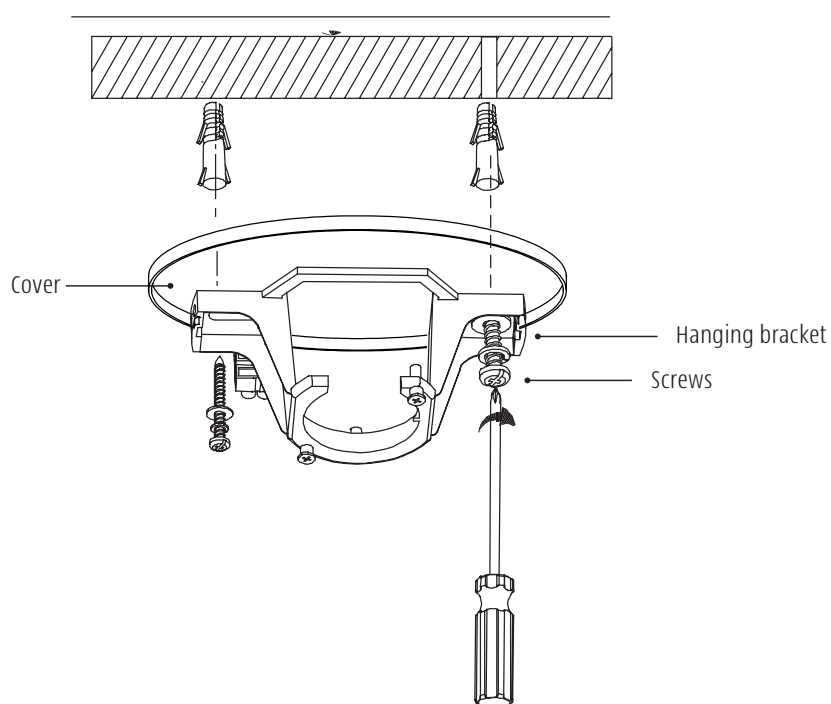
Installation instructions

1. Opening the packaging and preparations before the installation

- Carefully remove the ceiling fan from the packaging and place the fan motor and blades on a cloth or soft surface. Placing the motor or blades on a hard surface may damage the finish.
 - This ceiling fan is provided with a set of matching blades. Do not mix or switch blades from different product. Use of blades different from those supplied can cause a malfunction and will void your warranty.
 - Before starting the installation verify that all the parts are present and available for use, including any accessories which may be required for the installation. Use only original Swing fan accessories.
-

2. Hanging bracket installation

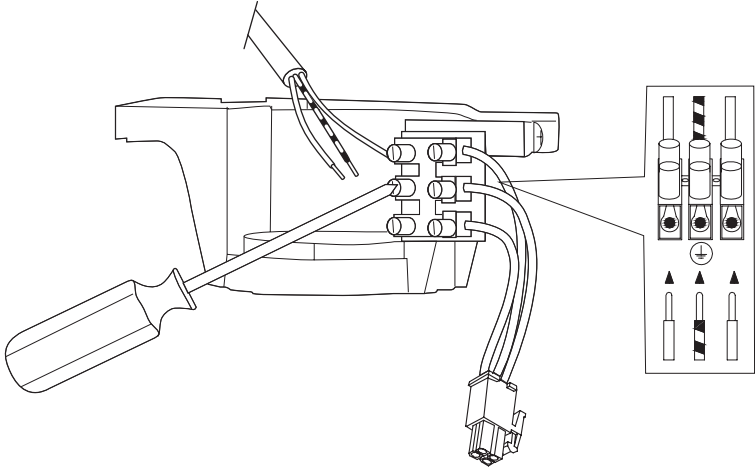
- Fix the hanging bracket to a flat surface using suitable fasteners, which should be fastened to a timber joist or concrete (the attached screws are intended for standard concrete. For other structure types, suitable installation fasteners should be used).
- **All screws provided should be used, and under no circumstances should the Hanging bracket be installed on Plasterboard only.**



Installation instructions

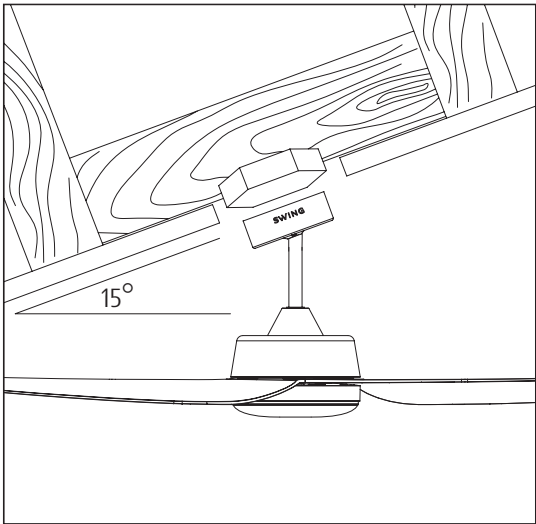
3. Mains connection

Connect the mains supply 220-240V to the terminal block in accordance with the markings.



4. Installing the ceiling fan at an angle

This fan can be installed at a ceiling slope of up to 15 degrees.



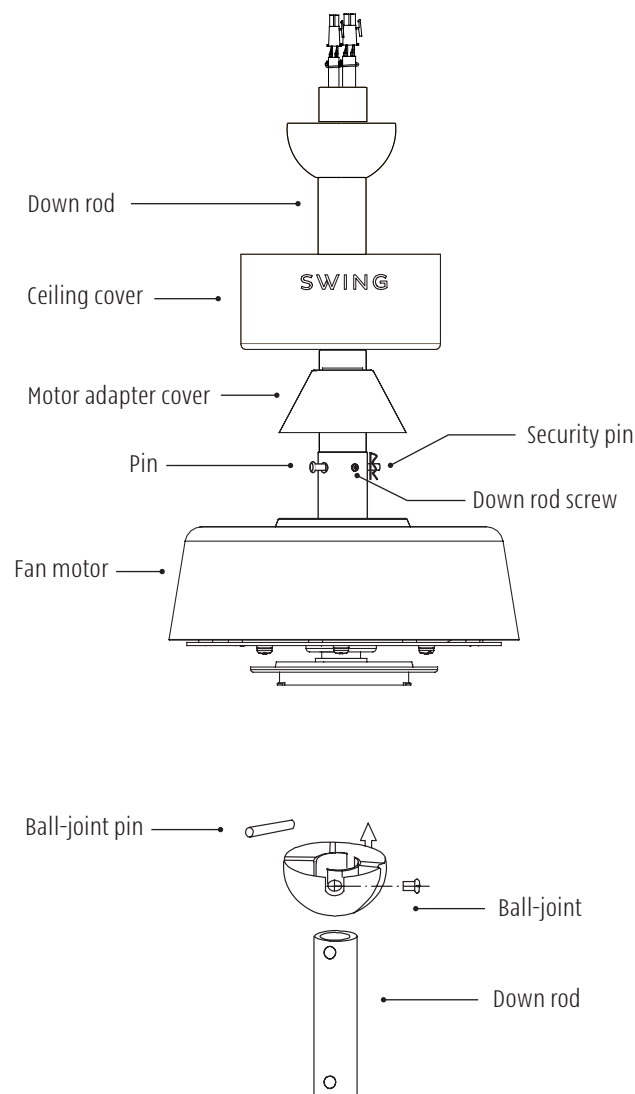
5. Assembling the down rod and the ceiling cover

- Loosen the screw of the ball-joint and remove the pin of the ball-joint, so that it allows the ball-joint to be disassembled from the down rod.
- Thread the wiring through the motor adapter cover, decorative cover, ceiling cover and the down rod.
- Place the down rod on top of the fans motor housing and align the holes.
- Insert the pin through the extension rod (make sure the wires are not damaged) and insert the security pin.

Attention! Perform the assembly of the down rod and the upper cover with manual and non-electric tools.

Attention! It is mandatory to tighten the 2 screws of the down rod to the fan motor housing.

- Slide the motor adapter cover over the fan motor housing.
- Reassemble the ball-joint and ensure proper installation of the ball-joint pin and the ball-joint screw.

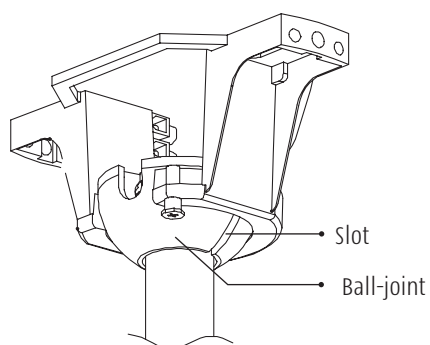


Installation instructions

6. Hanging the fan

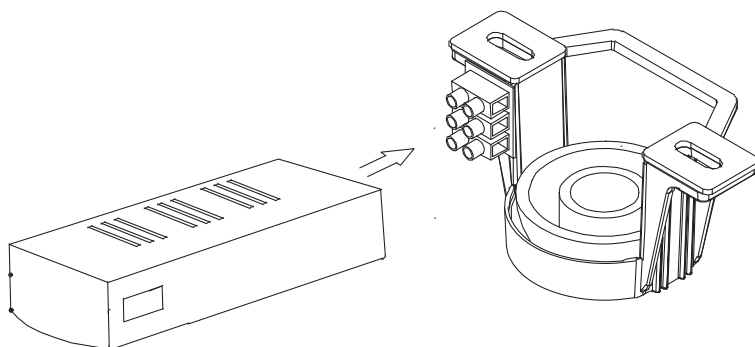
- Carefully lift the fan motor.
- Place the ball-joint in the hanging bracket, so that the groove is located in the slot. The down rod should not rotate if this is done correctly.

Attention! To ensure smooth operation of the fan it is important to securely fasten all the screws intended for hanging it.



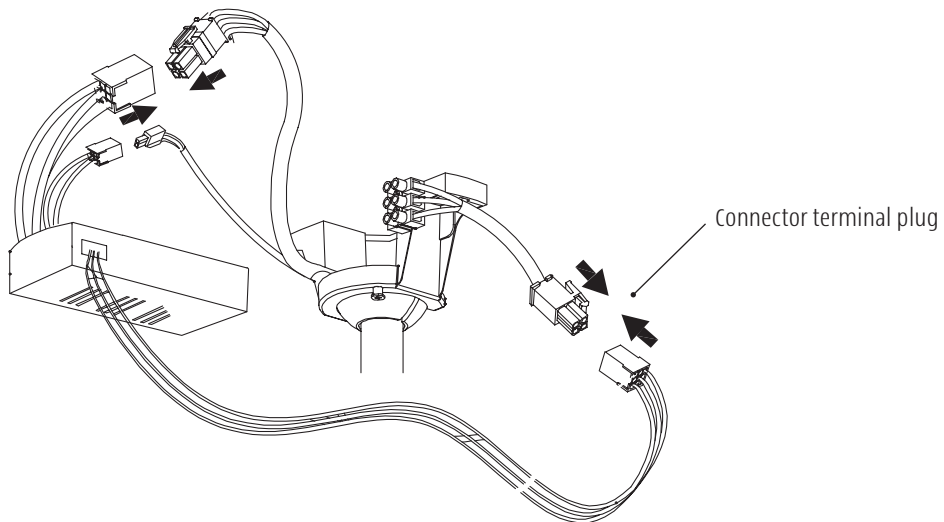
7. Installing the receiver

Insert the receiver into the hanging bracket, with the flat part facing up.



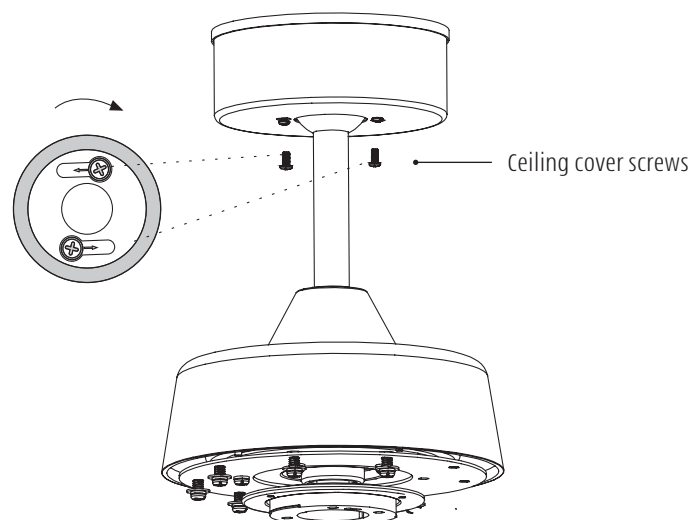
8. Connecting the ceiling fan to the electricity supply

After the ceiling fan is properly hung, connect the terminal plug connector (male to female).



9. Connecting the ceiling cover

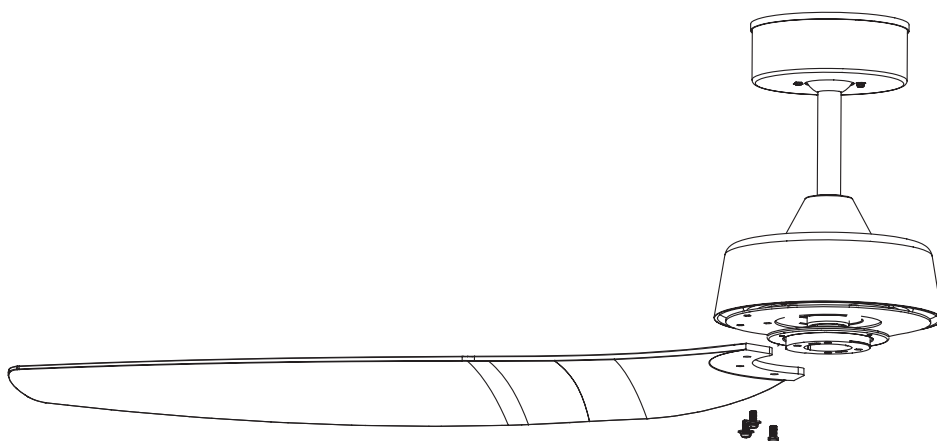
- Lift the ceiling cover over the hanging bracket.
- Rotate the ceiling cover and tighten the screws.



Installation instructions

10. Fitting the blades

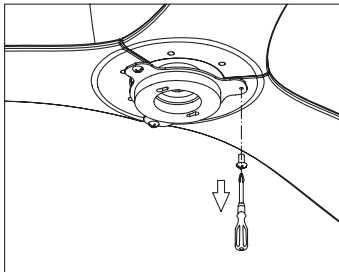
- Verify that the blades are installed in the correct direction. Notice "This side up" label on the fan blades. The blades are not reversible.
- Insert the screws through the blade and secure them to the motor.
- Repeat this securing process for all other blades.



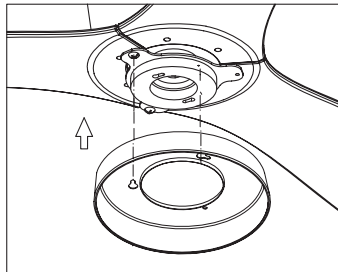
Attention! The blades supplied with the fan is a matching set. Do not mix them with blades from a different fan.

11. Installing the light fitting

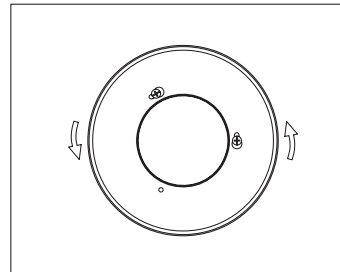
- Remove one screw completely from the light base (Figure 1).
- Partially loosen two screws on the light base.
- Align the keyhole slots on the light cover with the two partially loosened screws (Figure 2).
- Rotate counterclockwise to lock the light cover in place (Figure 3).
- Insert the third screw into place and tighten all three screws (Figure 4).
- Rotate the light fitting counterclockwise to lock in place (Figure 5).



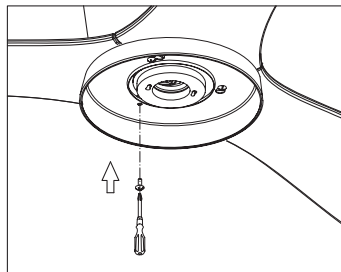
1



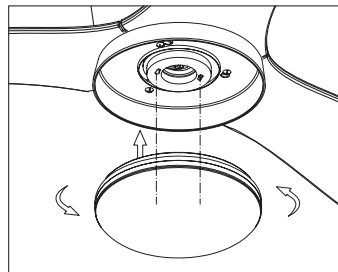
2



3



4




5

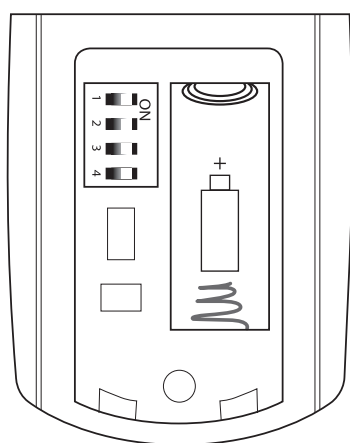
Setting up the remote control (if more than one ceiling fan is installed)

Attention! It is required to select a unique frequency value on the remote control for each of the fans.

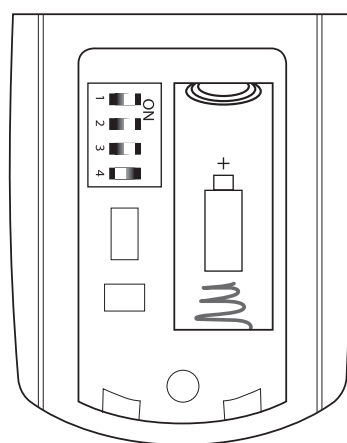
This is to prevent frequency disruption and interference between the fans.

- Switch off the electricity supply to the fan by turning off the wall switch.
- Open the battery cover located on the back of the remote control (Figure 1).
- Select a unique frequency on the remote control by moving the frequency pins on the back of the remote control (Figure 2).
- Close the battery cover.
- Switch back on the electricity supply to the fan. Make sure that all other fans are disconnected from the electricity supply.
- Within 60 seconds of turning the fan power on press and hold the power button on the remote control  for 8 second until the light blinks twice (There is no indication if there is no light fitting)
- The remote control is now paired with the fan and all the actions of the remote control will be received.

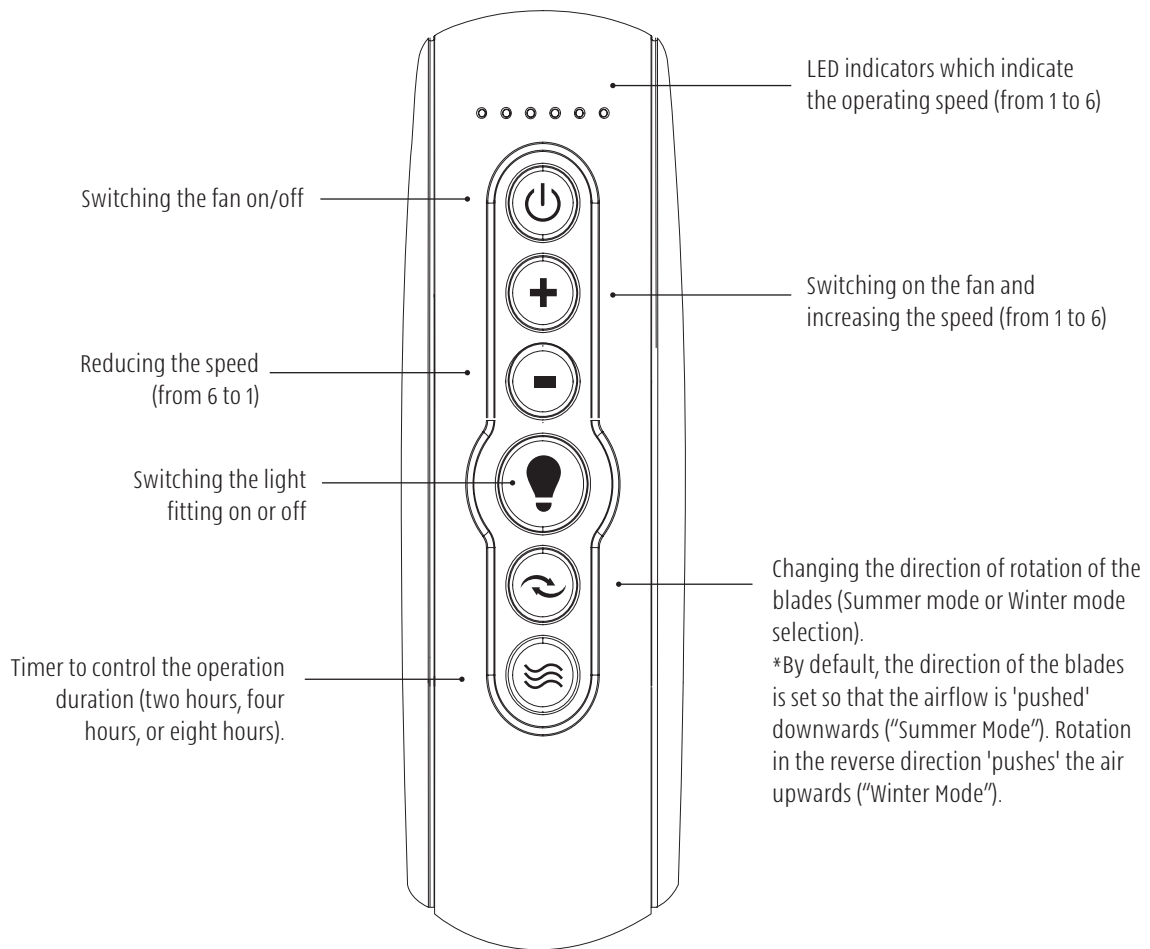
Default Frequency



Set unique Frequency



Functions and operation of the remote control



Attention!

- The remote control operates wirelessly and must be within a range of up to 8 metres from the fan.
- When changing functions, wait patiently for a few seconds for the fan to receive the transmission and perform the operation, especially after changing the rotation direction of the blades.
- The remote control comes with a dedicated wall holder which can be installed using two screws.
- The indicator lights are not lit permanently, but are lit for one second, and then go off.

General operating instructions, troubleshooting

Activating the fan for the first time

- Ensure that all screws are tightened, and the electrical connections are secure.
- Ensure that the fan blades can rotate without any obstructions.
- Ensure that the power is switched on and that the fan is connected to an electrical voltage.
- After you have verified that the fan is supplied with electrical voltage, Switch the fan on to high speed for about 5 minutes.

Attention! It can take up to 30 seconds for the fan to reach the desired speed.

Troubleshooting

Note! Before starting any troubleshooting or repair activity, ensure that the mains supply is disconnected.

Does the fan have trouble starting or will the fan not start at all?

- Check all electrical connections, including the wall switch and the circuit breaker in the fuse box.
- Verify that there is no object/screw that prevents the movement of the blades.
- Ensure that the remote control battery is new and properly inserted.
- Verify that you pressed the fan switch button on the remote control.
- Switch the fan on to the highest speed.
- Verify that the remote control and fan are paired and if necessary repair the remote to the fan (Page 12).

Poor Airflow?

- The fan may rotate in the reverse direction (Winter Mode) – check the Summer/Winter Mode selection and ensure the mode is appropriately set for the season.
- Verify that the blades are installed in the correct direction, and that the label "This side up" is facing the ceiling.
- Verify that the fan is appropriate for the size of the room.
- Check if the space between the ceiling and the blades is less than 20cm. In this case the airflow will be significantly reduced.

Is the fan noisy?

- If it is a "mechanical" noise, make sure that the blades are tightened, all the screws are securely tightened, the light fitting is correctly installed, and all the wiring is properly connected.
- If it is an "electric" noise which is mainly heard in the evening or in the early morning, it may be caused by electrical pulses which are sent over the electric lines.

Attention! Some noises cannot be prevented and are not covered under warranty.

Is the fan wobbling or vibrating?

- When ceiling fans are rotating, they tend to vibrate slightly, especially at high speeds (this is the reason why they are equipped with a flexible ball-joint which allows free movement). Fans installed with a long down rod, tend to wobble more than fans installed with a standard down rod.
- If the fan wobbles or vibrates excessively, it may be due to the fact that the blades are loose or unbalanced. In this case, ensure that all the blades are securely fastened to the fan, that no screws are missing and that all the screws are tightened. Ensure the hanging bracket is properly installed on the ceiling.
- If necessary, the blades can be balanced using the blade balancing kit, which is included with the fan.
- If the ceiling fan wobbles in an extreme way – stop using the fan immediately and contact customer service.
- All blade sets are grouped by weight as a set. Mixing blades from another fan can cause the fan to wobble and vibrate.

Attention! To prevent long-term damage, it is important to balance the fan as soon as possible. The balancing of the fan is not covered under warranty.

Maintenance

- In order to maintain the appearance of the ceiling fan and its integrity, be sure to clean and remove dust periodically (using nonabrasive detergents). Accumulation of dust and dirt is not aesthetic and will lower the fans performance.
- Due to the fans natural movement some connections may become loose overtime. Check the fans connections, blades and tighten screws if needed. (Not necessary to remove the fan from the ceiling to perform)

Warranty Conditions

All SWING products are high-quality fans. The warranty applies to the motor, fan body, blades and light fittings which are parts of the fans sold by SWING.

The installation must be performed according to this manual and must comply with local electrical code.

Products

- This warranty applies to all products manufactured by the SWING brand. Ceiling fans, ceiling fans for outdoor conditions, industrial fans, and light fitting suitable for the ceiling fans. The warranty does not cover bulbs and consumables.
- Damage caused as a result of improper installation or unreasonable use is not covered under the warranty.

Warranty Period

The warranty period for the SWING products is for one year. Beyond the one-year warranty period, the following applies:

- The fan motor warranty is 3 years.
- The light fitting warranty is 3 years

Warranty Conditions

The offered warranty for the SWING products is valid under the following conditions:

- Products should be used in accordance with the application specifications of the product.
- The warranty covers only product failures caused by defects in materials, workmanship and/or manufacturing.
- Only licenced SWING technicians are authorized to service SWING products. Any service and/or repair performed by a technician not authorized by SWING will void the warranty.

Repair of Product Under Warranty

- In the event of a product malfunction, SWING at its sole discretion, may decide whether to repair components or products, provide similar products as a replacement, or refund the original customers.
- SWING, at its sole discretion will choose whether to test the product at the customer's home, or at a SWING laboratory.
- Repair under the warranty does not cover any damage as a result of voltage drops, lightning, fluctuations in the mains voltage or connection to an alternative electricity supply (such as solar systems).
- Damage caused as a result of aggressive handling during installation is not covered under the warranty.
- If a defect is found in the fan when opening the package – do not install it, but notify the company immediately, and return it to the place where it has been purchased.
- The customer or end users will bear all the costs arising from removing and reinstalling the ceiling fans, as well as shipping costs of bringing and returning the products. All shipping costs will be prepaid by the customer.
- Other costs such as: component replacement costs during installation, repairs caused by installation failures, other types of damage and/or consequential damage – are not covered under this warranty.
- If repair is required at the customer's household – the cost of delivery, installation, and operation of any special equipment (such as: scaffolding, forklifts), intended to allow access to the ceiling fans – will apply to the customer/owner of the place.
- In any case, the company is not responsible and will not bear the costs of disassembling, assembling, transporting or any other cost for the purpose of bringing the fan to the service centre and returning it to the customer.

Submitting a Product Repair Request Under Warranty

- A request for repair under warranty should be made immediately by opening a service ticket via the website and if necessary, by presenting an original purchase invoice and returning the defective product. This is so that the SWING representatives can check the validity of the product warranty and the scope of the request.

In order to maintain the information in SWING's databases, it is advisable to fill in the attached warranty form and send it to us immediately after buying the fan. Additionally, to facilitate the identification and service process in the event of a malfunction, it is recommended to attach the original purchase invoice to this form.

Warranty Form

The warranty form will be accepted with:

1. This form is filled in with all the details.
2. Purchase invoice.
3. Installer details.

Customer Details

Customer name: _____

Address: _____

Telephone: _____

Mobile phone: _____

Email: _____

Purchase Details

The name of the shop where the purchase was made: _____

Date of purchase: _____

Product name: _____

Installer Details (if applicable)

Installer's company name and address: _____

Date of installation: _____

Installer's name: _____

Telephone: _____

It is recommended to send a copy of this form with an original purchase invoice immediately after the installation so that the information is recorded in the company's databases.

The form can be filled out online at: www.swingfans.com

How to contact us to use the warranty:

www.swingfans.com

SWING

FANS

S