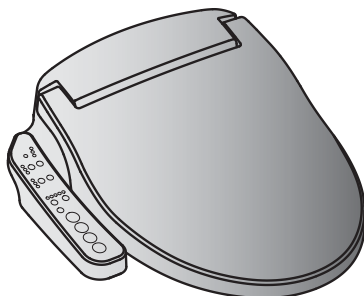
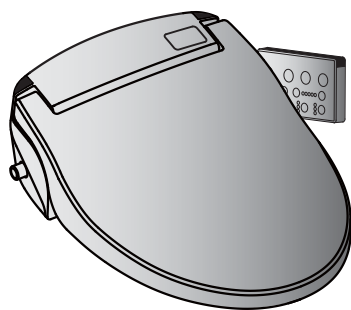


Personal Hygiene Appliance



< GB-4000 >



< GB-5000 >

- This product was manufactured for household use only.
- Read all operating instructions before installation and use.
- Please save this operating instruction manual and place in an easily accessible location.
- Due to ongoing product improvements, external appearance and specifications are subject to change without notice.

GB-4000-EW
GB-4000-RW

GB-5000-EW
GB-5000-RW

Contents

| | |
|---------------------------------------|----|
| Important Safeguards | 2 |
| Grounding Instructions | 4 |
| Parts Identification | 5 |
| Basic Instructions | 8 |
| Functions & Operation | 9 |
| Installing Unit | 13 |
| Trial Operation | 17 |
| Uninstalling Unit | 18 |
| Maintenance | 19 |
| Draining Water Tank (Reservoir) | 21 |
| Troubleshooting | 22 |
| Product Specifications | 23 |
| Product Registration | 24 |

IMPORTANT SAFEGUARDS

READ ALL INSTRUCTIONS BEFORE USING.

DANGER To reduce the risk of electrocution.

- Do not use while bathing.
- Do not place or store product where it can fall or be pulled into a tub or sink.
- Do not place in or drop into water or other liquid.
- Do not reach for a product that has fallen into water. Unplug immediately.

WARNING To reduce the risk of burns, electrocution, fire or injury to persons.

- Close supervision is necessary when this product is used by, on, or near children or invalids.
- Use this product only for its intended use as described in this manual. Do not use any attachments unless recommended by the manufacturer.
- Never operate this product if it has a damaged cord or plug, if it is not working properly, if it has been dropped or damaged, or dropped into water. Return the product to a service center for examination and repair.
- Keep the cord away from heated surfaces.
- Never block the air openings of the product or place it on a soft surface, such as a bed or couch, where the air openings may be blocked. Keep the air openings free of lint, hair, and the like.
- Never use while sleeping or drowsy.
- Never drop or insert any object into any opening or hose.
- Do not use outdoors. or operate where aerosol(spray) products are being used or where oxygen is being administered.
- Connect this product to a properly grounded outlet only. See Grounding Instructions.
- Any other servicing should be performed by an authorized service representative.
- Do not dismantle, repair, or alter the unit.
- Do not pour or spray water on to the unit.
- The unit must be grounded.
- Do not touch the power plug with wet hands.
- Properly connect the power cord to the electrical outlet corresponding to the rated voltage of the unit.
- Do not use damaged or loose power cord.
- Do not use steam cleaner.
- Keep the unit away from fires or inflammable substance.
- Do not connect to the industrial water supplies.
- Do not connect other electrical appliances to the same power socket connected to the unit.
- Replace damaged power cord and plug by authorized service center.
- Caution against low temperature burns.
- Before removing the unit from the toilet bowl, disconnect the power plug first.

IMPORTANT SAFEGUARDS

CAUTION To reduce the risk of injury to persons or damage to the product or the property.

- **Do not place heavy objects or step on the unit.**
Doing so may cause product damage or injury.
- **When cleaning the unit, do not use any chemicals. Clean the unit with a moist, well-wrung soft cloth. For excessive stains, use a soft cloth moistened with mild dish washing detergent and wipe with a dry cloth.**
Using chemicals may cause product damage.
- **Do not slam the lid.**
Slamming the lid may cause product damage.
- **Do not lean on the lid.**
Leaning on the lid may cause product damage.
- **When not in use for a long period of time, disconnect the power plug.**
- **Do not twist or pull the connection hoses.**
Twisting or pulling may affect water supply or cause water leakage.
- **Do not cover the warm air outlet or insert hands or other objects.**
Doing so may cause burn or electric shock.
- **Do not operate the unit during product malfunction.**
Disconnect the power plug and call an authorized service provider.
Using a malfunctioning unit may cause fire or electrical shock.

SAVE THESE INSTRUCTIONS

INFORMATION TO THE USERS

This equipment has been tested and found to comply with the limits for a Class B digital device, pursuant to part 15 of the FCC Rules. These limits are designed to provide reasonable protection against harmful interference in a residential installation. This equipment generates, uses and can radiate radio frequency energy and, if not installed and used in accordance with the instructions, may cause harmful interference to radio communications. However, there is no guarantee that interference will not occur in a particular installation. If this equipment does cause harmful interference to radio or television reception, which can be determined by turning the equipment off and on, the user is encouraged to try to correct the interference by one more of the following measures:

- Reorient or relocate the receiving antenna.
- Increase the separation between the equipment and receiver.
- Connect the equipment to an outlet on a different circuit than the receiver.
- Consult the dealer or an experienced radio/TV technician for help.

WARNING

Any changes or modifications not expressly approved by the manufacturer could void the user's authority to operate the equipment.

GROUNDING INSTRUCTIONS

GROUNDING INSTRUCTIONS

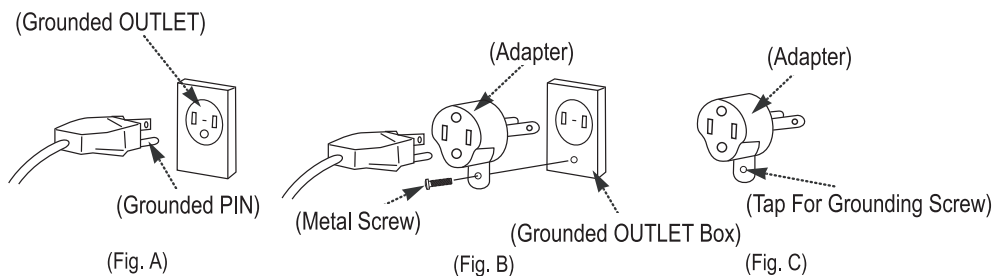
- This product should be grounded. In the event of an electrical short circuit, grounding reduces the risk of electric shock by providing an escape wire for the electric current. This product is equipped with a cord having a grounding wire with a grounding plug. The plug must be plugged into an outlet that is properly installed and grounded.

DANGER - Improper use of the grounding plug can result in a risk of electric shock.

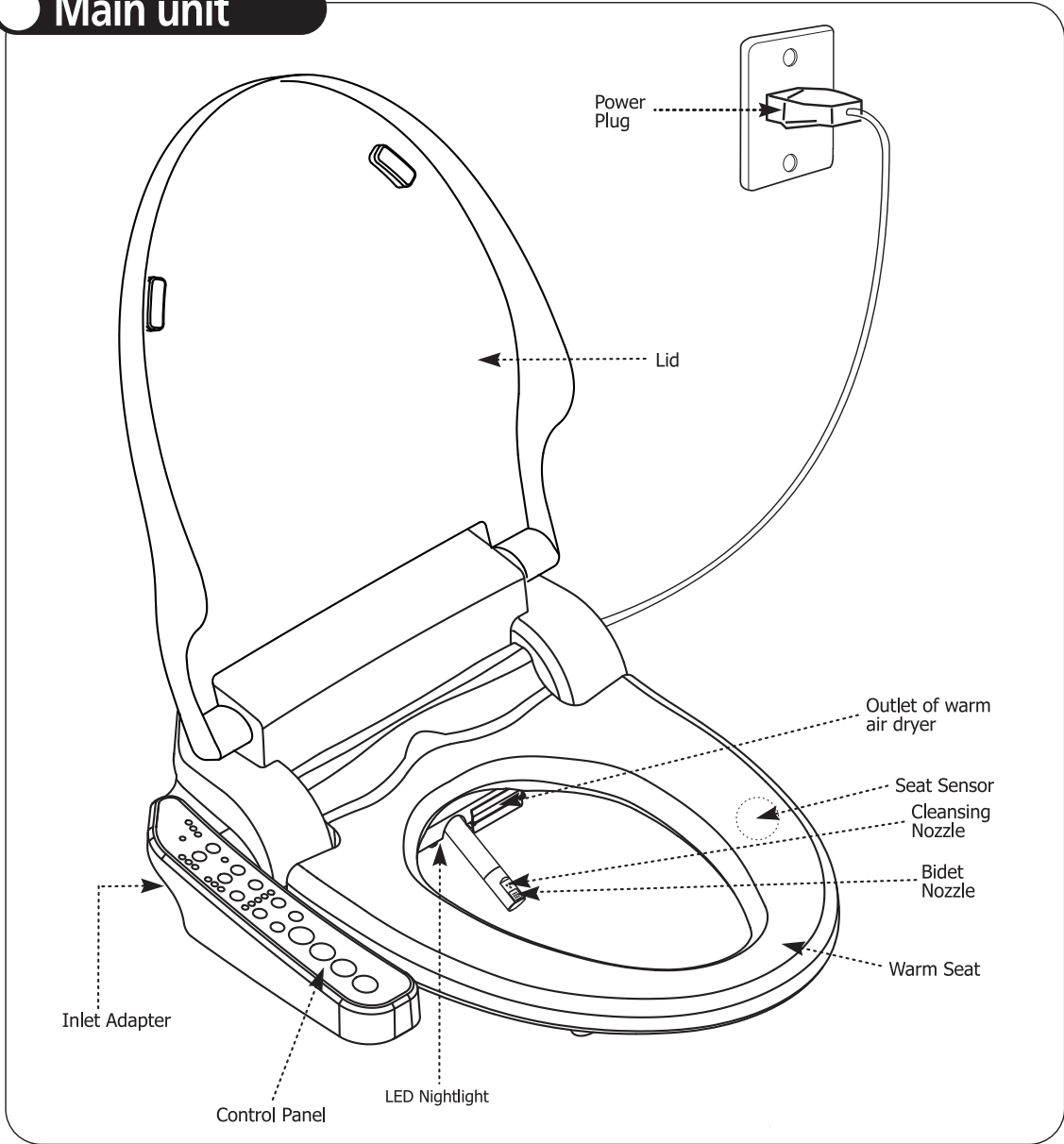
If repair or replacement of the cord or plug is necessary, do not connect the grounding wire to either flat blade terminal. The wire with insulation having an outer surface that is green with or without yellow stripes is the grounding wire.

Check with a qualified electrician or serviceman if the grounding instructions are not completely understood, or if in doubt as to whether the product is properly grounded.

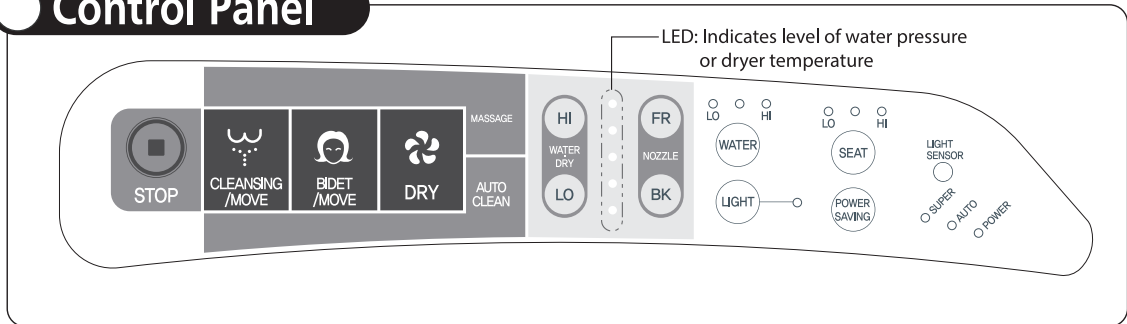
- This product is for use on a nominal 120 V circuit, and has a grounding plug that looks like the plug illustrated in Figure A. A temporary adapter, which looks like the adapter illustrated in Figure B and C, may be used to connect this plug to a 2-pole receptacle as shown in Figure B if a properly grounded outlet is not available. The temporary adapter should be used only until a properly grounded outlet (Figure A) can be installed by a qualified electrician. The green-colored rigid ear, lug, or the like, extending from the adapter must be connected to a permanent ground such as a properly grounded outlet box cover. Whenever the adapter is used, it must be held in place by the screw.
- If it is necessary to use an extension cord, use only a three-wire extension cord that has a three-blade grounding plug, and a three-slot receptacle that will accept the plug on the product. Replace or repair a damaged cord.



Main unit



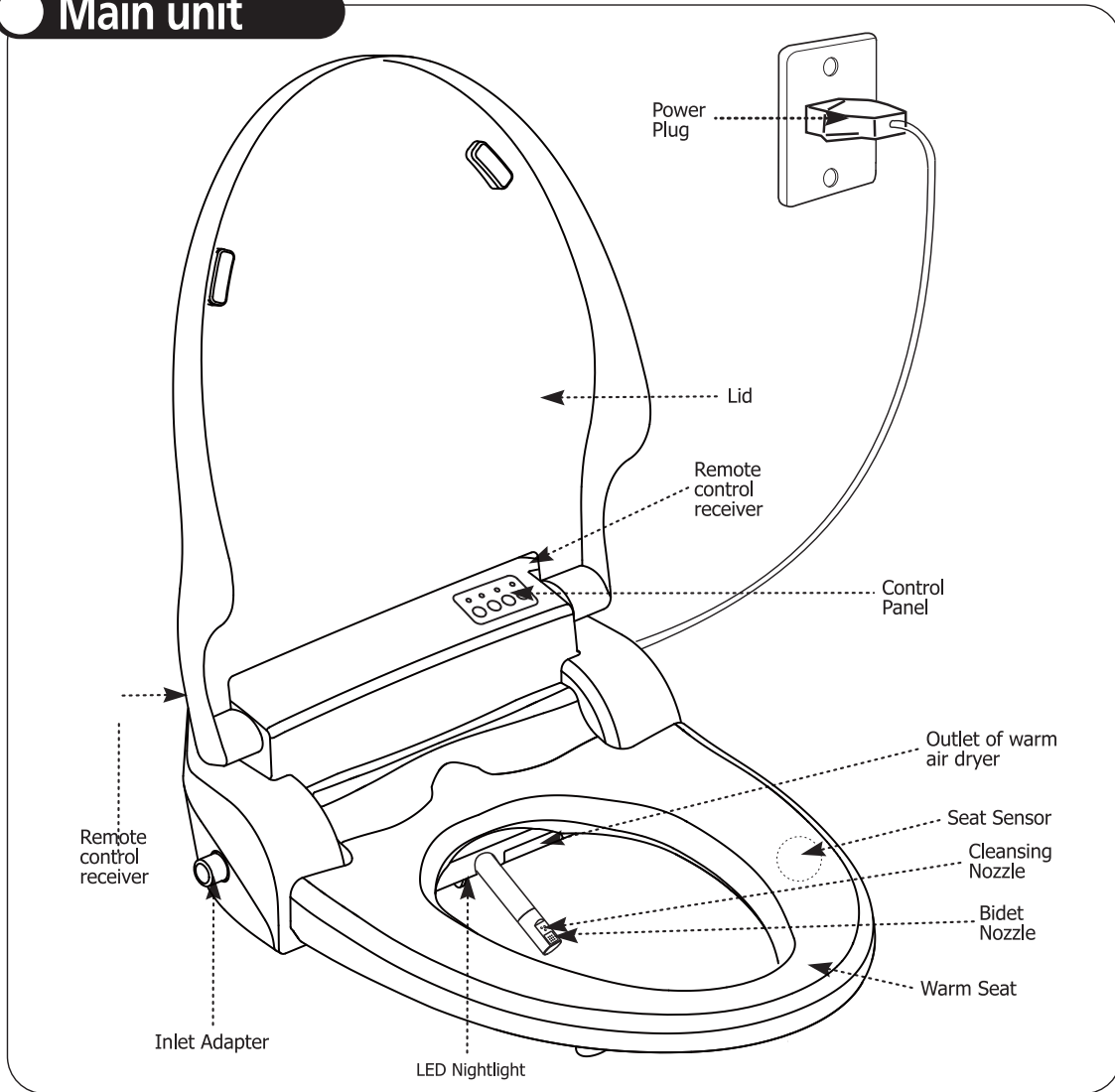
Control Panel



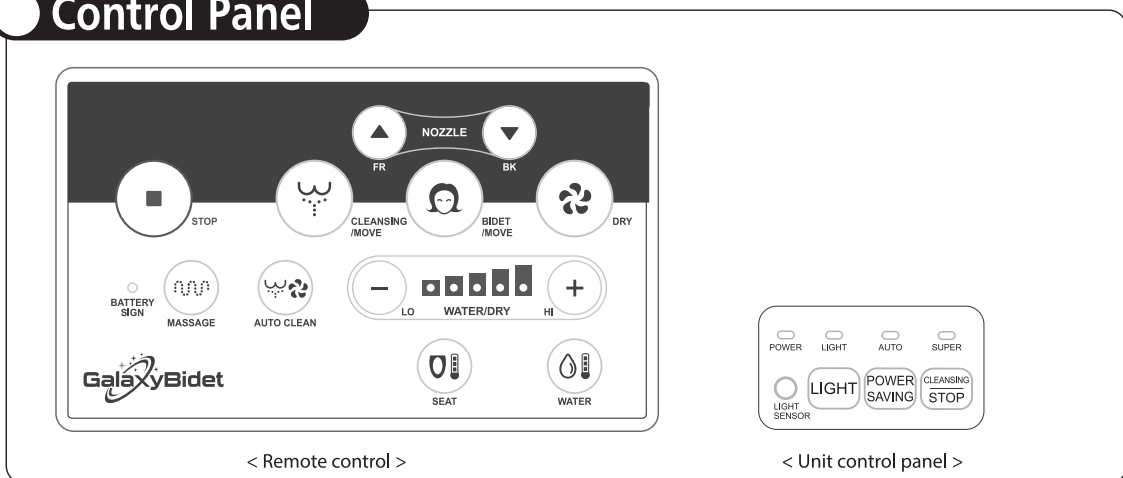
Parts Identification

GB-5000

Main unit

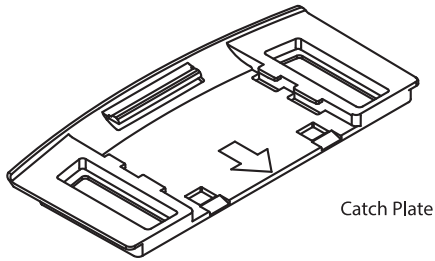


Control Panel

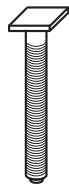


Parts Identification

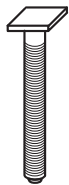
Accessory Parts (GB-4000)



Catch Plate



Fastening Bolts



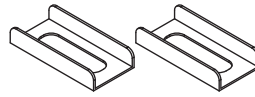
Rubber Grommets



Washers

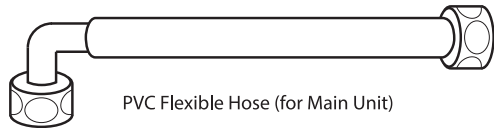


Fastening Nuts

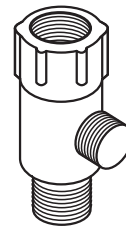


Brackets

For the installation on toilets with top tighten bolts
(Refer to installation)

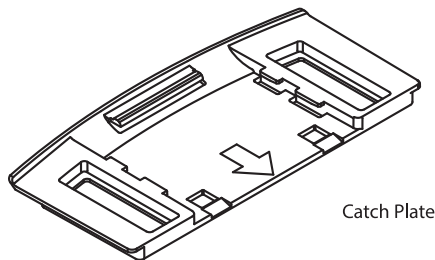


PVC Flexible Hose (for Main Unit)

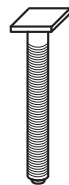


T-valve

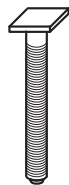
Accessory Parts (GB-5000)



Catch Plate



Fastening Bolts



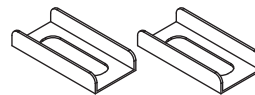
Rubber Grommets



Washers

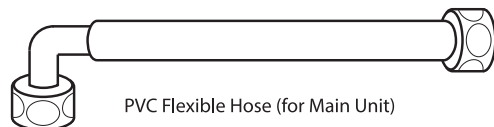


Fastening Nuts

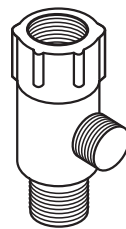


Brackets

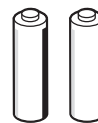
For the installation on toilets with top tighten bolts
(Refer to installation)



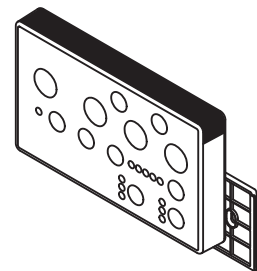
PVC Flexible Hose (for Main Unit)



T-valve



Batteries



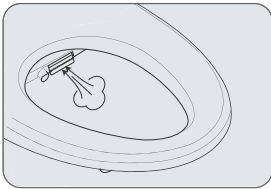
Remote control & Holder

Basic Instructions

[Remote control equipped model (GB-5000)]

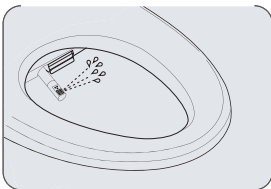
- An auxiliary control panel is included on the body of the unit. However, due to its limited functionality, this backup panel cannot be used to adjust water pressure. When water pressure control is needed, press the "CLEANSING" button on the remote control and adjust water pressure using the "HI" or "LO" button.
- Dropping or spilling liquids on the remote may cause damage.

1 Sit on the seat



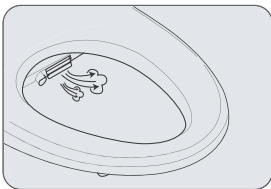
- If the seat is occupied, a beep sounds and the water indicator is shown.
[Remote control equipped model : Only a beep sounds.]

2 Press the "CLEANSING" or "BIDET" button



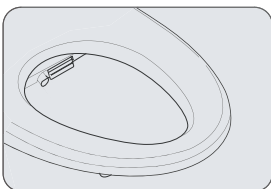
- Operate either the "CLEANSING" or the "BIDET" function.
- Each function operates for 1 minute.
- "MOVE" function operates by pressing "CLEANSING" or "BIDET" button while using.
- Unit beeps when the "CLEANSING" or "BIDET" function is finished.

3 Press the "DRY" button



- Dryer function will operate for 3 minutes.
- Unit beeps when dryer function is finished.
- Drying operation may be maximized by gently removing any excess moisture with toilet paper.

4 Press the "STOP" button



- Stops all operating functions.

- When using the unit, please center your weight on the bidet seat.
- The seat sensor is installed inside the seat. (Please refer to pages 5 or 6.) The unit starts operating only when the user's skin touches the seat sensor. **Seat covers or other materials on the seat may prevent the sensor from operating properly.**

Functions & Operation

● Move (Oscillating Wash)

- Start nozzle movement by pressing the "CLEANSING" or "BIDET" button while cleansing.
- Stop nozzle movement by pressing the "CLEANSING" or "BIDET" button again.

● Water Pressure Adjustment

- The unit remembers the most recent water pressure settings.
- Water pressure can be adjusted by pressing the "HI" or "LO" button.

● Nozzle Position Adjustment

- Press the "FR" or "BK" button to adjust the nozzle position during "CLEANSING" or "BIDET" function.
- It returns to the first middle position when finishing and moving away the seat.

● Water Temperature Adjustment

- Press the "WATER" button to adjust the water temperature level. Select the desired level.

● Warm Seat Temperature Adjustment

- Press the "SEAT" button to adjust the seat temperature level. Select the desired level.

※ The unit remembers the water and seat temperature settings even if the power is shut off.
No need to readjust the temperature settings after a power failure.

Functions & Operation

Warm Air Dryer Temperature Adjustment

- The unit remembers the most recent warm air temperature setting. Press "HI" or "LO" button to adjust the temperature of the warm air. (Levels 1~5)

LED Nightlight

- To activate the LED Nightlight, press the "LIGHT" button. The Nightlight activates automatically when it is dark. To cancel the LED Nightlight function, press the "LIGHT" button again and Nightlight will go off.
- When LED Nightlight function is on, the bidet can be used without turning on the toilet light.
- LED lights are very efficient and require a small amount of energy to operate.

Auto Power Saving

- To activate, press the "POWER SAVING" button until the "AUTO" indicator is illuminated.
- When set to "AUTO" mode, both the water temperature (86 F) and seat temperature are maintained.
- When bidet is in use, the Auto Power Saving function stops temporarily to allow custom adjustments. The Auto Power Saving function reactivates when the seat is unoccupied.
- To cancel the Auto Power Saving function, press the "POWER SAVING" button. The "AUTO" indicator will go off.

Super Power Saving

- To activate, press the "POWER SAVING" button until the "SUPER" indicator is illuminated.
- Select this mode for optimal energy efficiency, using the unit's built-in sensors.
- When set to "POWER SAVING" mode, both the water and seat temperature remain at room temperature. This power saving mode stops temporarily when the toilet light is on.
- To cancel the Super Power Saving function, press the "POWER SAVING" button. The "SUPER" indicator will go off.

Functions & Operation

Massage

- Press the "MASSAGE" button for pulsating water, while cleansing or bidet function is activated. (Massage is not available on the lowest level of water pressure.)
- Stop the massage function by pressing the "MASSAGE" button again.

Auto Cleansing

- To activate the automatic (auto) cleansing function, press the "AUTO CLEAN" button. The "move" (oscillating) wash function and warm air dryer will operate for 1 minute each after activation.
- Default settings for this function are: "Level 3" for Water Pressure, "Level 2" for Warm Air Drying Temperature and "Level 3" for the Nozzle Position. These settings may be adjusted to suit user preference.
- When activated, the auto cleansing function will revert settings for both water and seat temperature to "Medium" by default. Settings may be adjusted to suit user preference.
- A buzzer will sound when the auto cleansing function is finished.
- Auto cleansing will return to default settings when the "AUTO CLEAN" or "STOP" buttons are pressed.
- This function is useful for individuals with impairments that make it difficult to select custom settings. It is also convenient for use with children.

Power On/Off

- To turn the unit off, press the "STOP" button for at least 4 seconds, until the power indicator light goes off. [Remote control equipped model : "CLEANSING/STOP" button]
- To turn the unit on, press any button. The power indicator will light up. [Remote control equipped model : Except "FR", "BK", "HI", "LO" button on the remote control]
- When the power is off, the unit remembers all of the prior settings, so it is not necessary to reset functions each time you turn the unit on.

Cleaning the Nozzle

- To clean the nozzle, press the "CLEANSING" and "BIDET" buttons simultaneously on the unit control panel. The nozzle extends and stops for easy cleaning. [Remote control equipped model : "CLEANSING/STOP" and "POWER SAVING" buttons]
- Clean the nozzle manually with a soft brush. To return nozzle to its storage position, press the "STOP" button. Nozzle will retract and the self-cleaning function will begin. [Remote control equipped model : "CLEANSING/STOP" button]

Functions & Operation

Burn Protection System

- When the seat temperature is set to "HI," it will be reduced automatically when the unit is in use for more than 30 minutes. This protects the user from burns, which can occur when sitting on the unit for a long time.
- Seat temperature can be returned to "HI" by manually resetting temperature or moving away from the seat.

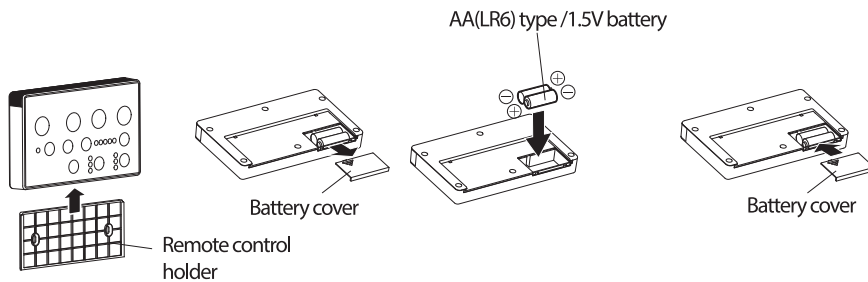
Self-Cleaning Nozzle

- Before and after each operation, the self-cleaning nozzle function will sanitize the nozzle head.

Changing batteries of remote control (Remote control equipped model)

- When the "BATTERY SIGN" indicator blinks on and off, remote buttons will not work properly and it is time to replace the batteries. However, the batteries may discharge quickly under certain operating conditions, such that the remote control unit may be disabled before the user notices the "BATTERY SIGN" indicator is blinking.

1. Remove remote control from the remote control holder.
2. Open the battery cover and replace batteries with new ones. (Battery life is about 1 year.)
3. Close the battery cover and insert remote control back into the remote control holder.



⚠ Caution

- Use only AA(LR6) / 1.5V batteries. There is a risk of explosion if battery is replaced with the wrong type. Dispose of used batteries properly according to battery manufacturers instructions.
- Insert the batteries according to the (+) , (-) indications marked on the remote control.
- Do not use the used battery and new one together.

Installing Unit

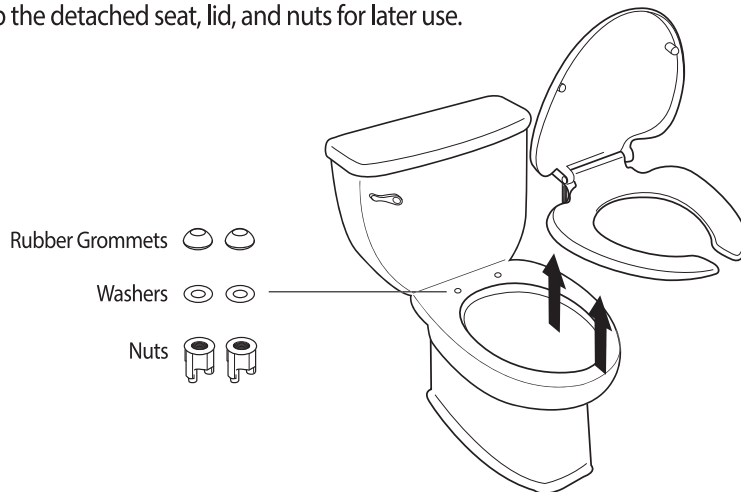


Caution before installation!

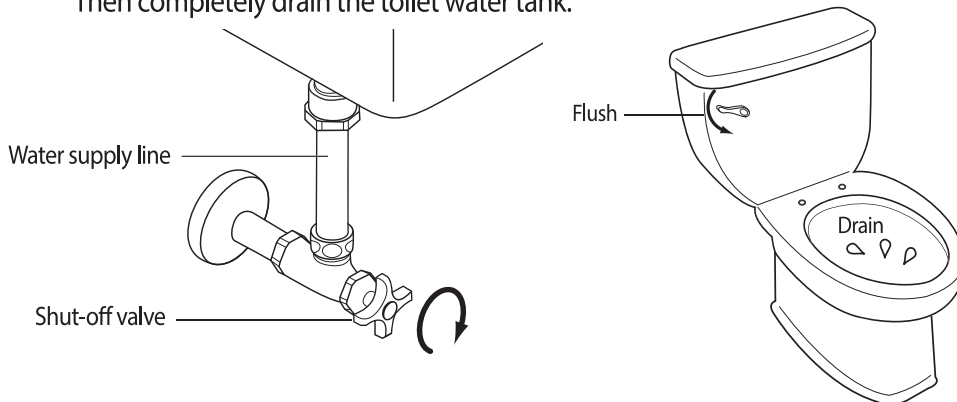
- Make sure the size and shape of the bidet seat are compatible with the toilet.
- Check that all parts are included and ready for installation.
- Do not connect the power until installation is complete.
- The bidet should be connected to ground by an authorized service representative only.

1 Remove the existing toilet seat.

- Remove the existing toilet seat and lid by removing the fastening nuts from below.
- Keep the detached seat, lid, and nuts for later use.

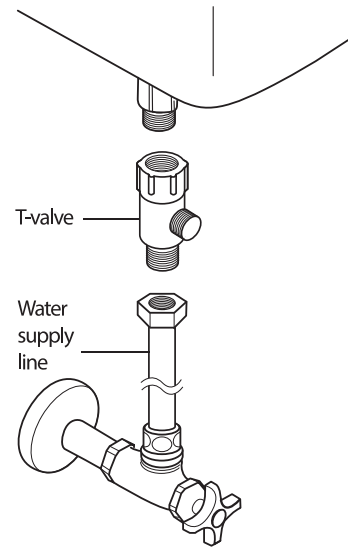


2 Shut off the water supply by turning the shut-off valve clockwise. Then completely drain the toilet water tank.



Installing Unit

- 3** Disconnect the water supply line from the toilet water tank and install a T-valve.

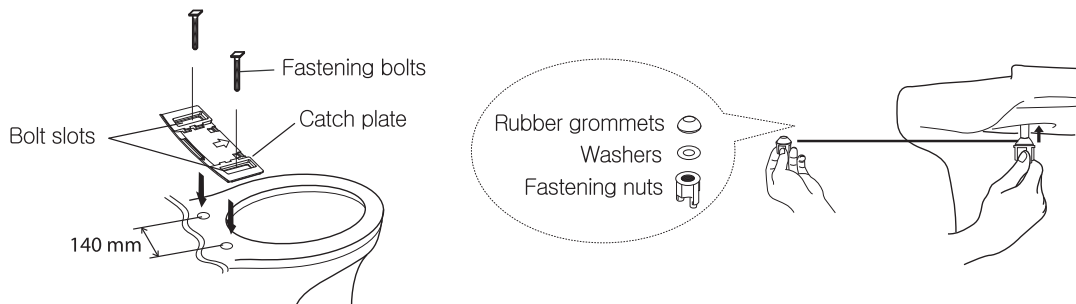


- 4** Line up the bolt slots in the catch plate with the bolt holes in the toilet bowl.

- 140 mm hole spacing is required for installation.

- 5** Insert fastening bolts through the bolt slots and into the bolt holes in the toilet.

- 6** Securely fasten the catch plate by installing the rubber grommets and washers as shown below, and tightening the fastening bolts and nuts.

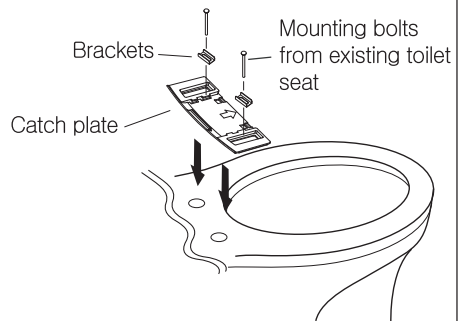


Installing Unit

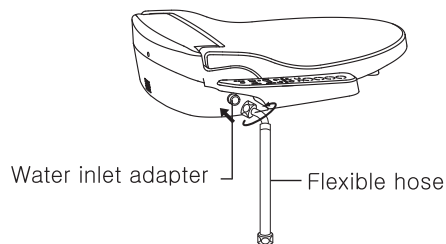
< Toilets with Bolts Tightened from Above >

Reuse the mounting bolts from the existing toilet seat with the brackets included with the bidet.

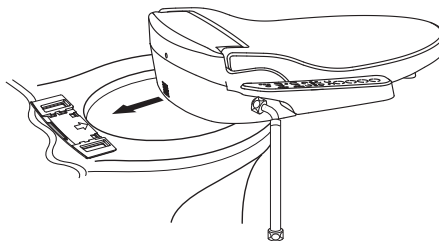
- 4 Place the catch plate so that the slots align with the bolt holes in the toilet.
- 5 Place the brackets on the catch plate.
- 6 Fasten the catch plate using the bolts removed from the existing toilet seat.



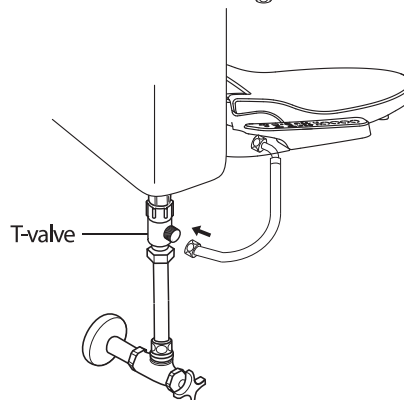
- 7 Connect the flexible hose to the bidet.



- 8 Slide the bidet unit onto the catch plate by aligning the grooves under the bidet unit.



- 9 Connect the flexible hose to the T-valve

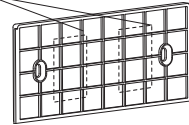


Installing Unit

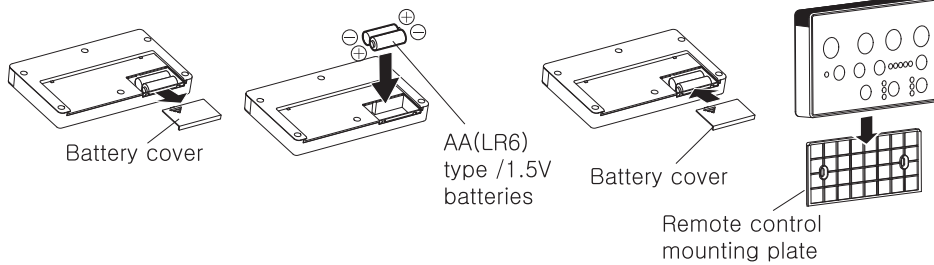
[Models Equipped with Remote Control]

- 10** Attach the remote control mounting plate to the wall with double-sided adhesive tape.

Double-sided tape

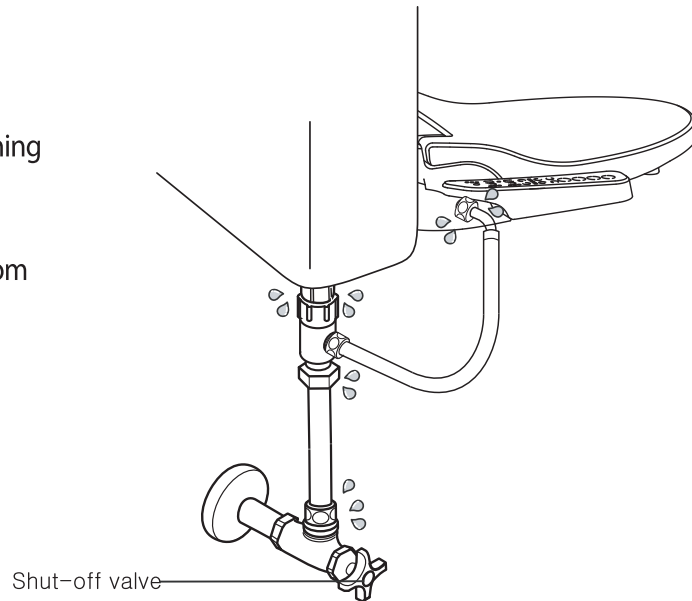


- 11** Insert batteries into the remote control unit, as shown below, and mount the unit to the mounting plate.



Trial Operation

- 1 Open the shut-off valve by turning counterclockwise.
- 2 Check for any water leakage from hose connections.



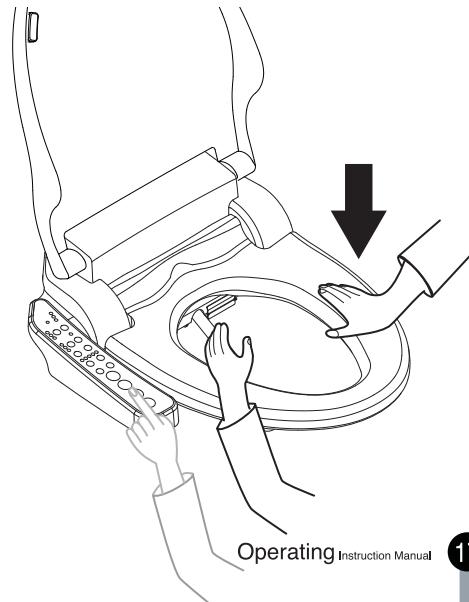
- 3 Plug in the power cord.
 - If the power indicator light does not illuminate after plugging in the power cord, press any button to illuminate the indicator.
[Remote control equipped model : Except "FR", "BK", "HI", or "LO" buttons on the remote control]

★ **WARNING**

Do not invert or otherwise move the bidet unit after it is connected to power. Doing so may cause damage to the bidet unit.

- 4 To fill the water reservoir, press the "CLEANSING" or "BIDET" button on the bidet unit. One long beep is emitted when the tank is full.
- 5 To test the water spray function, press either the "CLEANSING" or "BIDET" button while placing a hand on the seat sensor.

*Cover the nozzle with your hand to prevent spraying water out of the bowl.

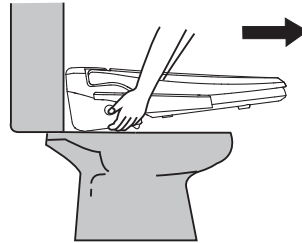


Uninstalling Unit

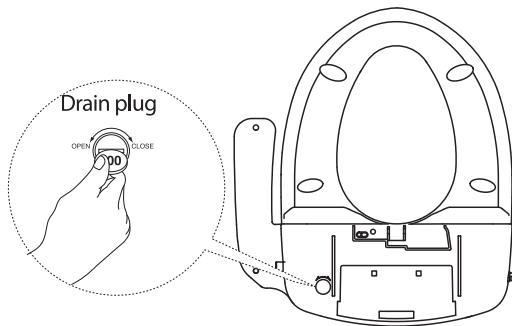
To detach or move the unit, follow the instructions shown below.

- 1 Unplug the power cord.
- 2 Shut off the water supply by turning the shut-off valve clockwise. Then completely drain the toilet water tank.
- 3 Disconnect the flexible hose from the T-valve, detach the bidet unit from the catch plate, and unfasten the catch plate from the toilet.

To detach the unit, pull it forward while lifting the front end, as shown.



- 4 Completely drain the water reservoir by removing the drain plug from the bottom.



- 5 Disconnect the T-valve.
- 6 Reconnect the water supply hose to the toilet water tank.
- 7 Open the shut-off valve by turning it clockwise and then check for any leakage from connections.
- 8 Reinstall the original seat and lid onto the toilet.

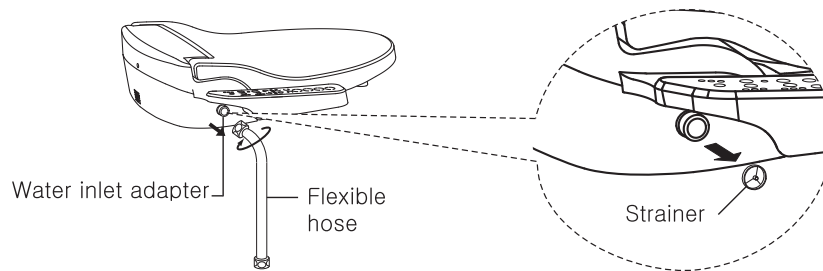
< For service request >

Please contact the dealer where you purchased this unit or the manufacturer on the back of this manual.

Maintenance

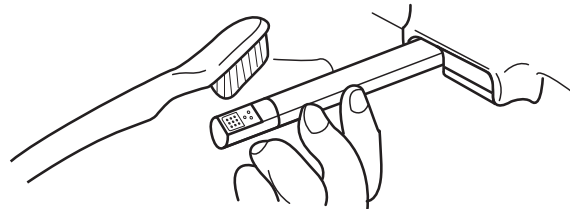
Cleaning the Water Strainer

- 1** Shut off the water supply by turning the shut-off valve clockwise. Then completely drain the toilet water tank.
- 2** Disconnect the flexible hose from the water inlet adapter.
If the hose is difficult to disconnect, such as from non-standard toilet bowls, detach the main bidet unit from the toilet before disconnecting the hose from the adapter.
- 3** First, remove, clean, and reinstall the strainer from the water inlet adapter.
(If it is hard to detach the strainer by hand, try using a wrench.)
- 4** Attach the hose to the water inlet adapter and open the water supply valve by turning it counter-clockwise.



Cleaning the Nozzle

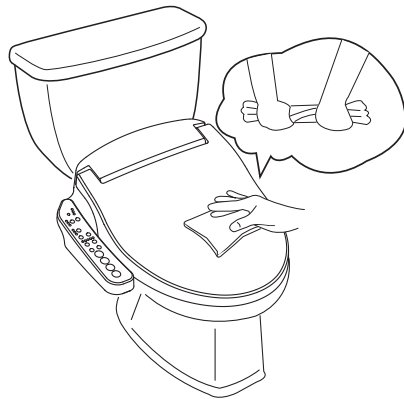
- 1** Press the "CLEANSING" and "BIDET" button simultaneously to extend and stop the nozzle in the extended position.
[Remote control equipped model: Press "CLEANSING/STOP" and "POWER SAVING" buttons]
- 2** Clean the nozzle manually with a soft brush. To return the nozzle to its retracted position, press "STOP," which automatically activates the self-cleaning function.
[Remote control equipped model: Press "CLEANSING/STOP" button]



Maintenance

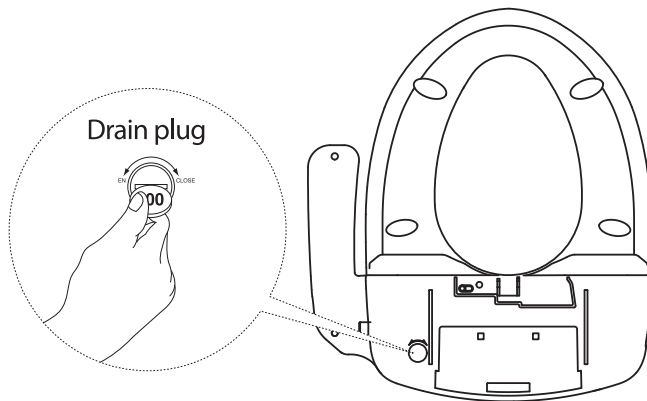
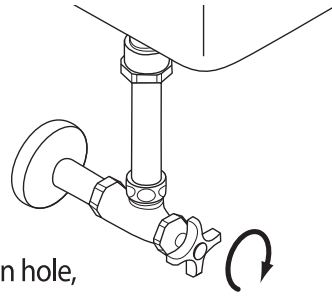
External Cleaning

- Do not use any harsh chemicals. Using abrasive materials, chemicals, and so on, could damage the plastic exterior.
- Do not spray water onto the unit. Wipe it with a tightly wrung damp soft cloth.
- Disconnect the unit from power before cleaning and be careful not to splash any water on the plug or socket.
- Touching the power supply socket with wet hands could cause an electric shock.



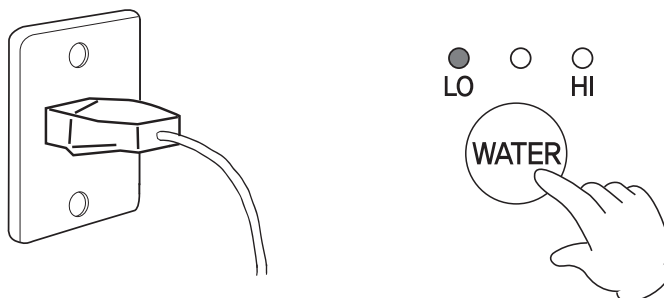
Draining Water Tank (Reservoir)

- 1 First, disconnect the power cord.
- 2 Close the shut-off valve by turning it clockwise.
- 3 After placing a container (4-liter capacity) under the drain hole, remove the drain plug and completely drain the water reservoir.



Preventing Freezing During the Winter

- 1 Plug in the power cord and confirm that bidet power is ON.
- 2 Adjust the water temperature level to "LO" or higher. Do not switch off the water temperature level.
- 3 Before extended periods of disuse, drain the water reservoir.



Troubleshooting

Check the following items before calling for service.

| Problem Description | Possible Causes |
|--|--|
| Unit does not function at all | <ul style="list-style-type: none"> • The power is OFF. Check to see if GFCI has tripped. ☞ Check by pressing any button Remote control equipped model : Except "HI" , "LO" , "FR" , "BK" buttons on the remote control. • The power cord is disconnected. • There is a power failure or interruption. |
| Cleansing, Bidet, Dry, Autoclean do not operate | <ul style="list-style-type: none"> • A seat cover or other object is covering the seat. ☞ Check whether there is anything on the seat. The unit only starts operating after the seat sensor detects skin contact. |
| Remote control does not function at all [Remote control equipped model] | <ul style="list-style-type: none"> • Batteries in the remote control have been exhausted. • The three-phase power is used for toilet lighting. ☞ The remote control may not function if the toilet lighting uses three-phase lamps. If the remote control does not function properly after repositioning the remote control unit, try changing the toilet lighting to use standard lamps. |
| No water spray | <ul style="list-style-type: none"> • The shut-off valve is closed. • There is a water supply interruption. |
| Low water pressure | <ul style="list-style-type: none"> • The water pressure level is set to "LO". • The water strainer is clogged. |
| Water temperature is low | <ul style="list-style-type: none"> • The water temperature level is switched off or set to "LO". |
| Seat is not warm | <ul style="list-style-type: none"> • The warm seat temperature level is switched off or set to "LO". |
| Dryer air is not warm | <ul style="list-style-type: none"> • The warm air dryer temperature level is switched off or set to "LO". |

Product Specifications

| Item | | GB-4000-EW • GB-4000-RW | GB-5000-EW • GB-5000-RW |
|-------------------------------|---------------------------|--|--|
| Power Supply | | 120V~, 60Hz | |
| Max. Power Consumption | | 660W | |
| Length of Power Cord | | 3.94ft (1.2m) | |
| Water Supply Connection | | Direct connection to the water supply | |
| Water Supply Pressure | | 14.223psi~106.675psi (98 - 735kPa) | |
| Cleansing | Water Flow Rate | Cleansing | Max. 0.251gal/min (0.95 ℓ /min) |
| | | Bidet | Max. 0.251gal/min (0.95 ℓ /min) |
| | Water Pressure Adjustment | 5 Levels | |
| | Temp. Adjustment | Normal Temp., 93.2°F(34°C), 98.6°F(37°C), 104°F(40°C) | |
| | Heater Capacity | 600W | |
| | Safety Device | Thermal Fuse, Thermostat, Water Level Sensor | |
| Warm Seat | Temp. Adjustment | Normal Temp., 95°F(35°C), 100.4°F(38°C), 104°F(40°C) | |
| | Heater Capacity | 55W | |
| | Safety Device | Thermostat | |
| Dry | Temp. Adjustment | Normal Temp. ~ 122°F(50°C) (5 Levels) | |
| | Heater Capacity | 195W | |
| | Safety Device | Thermal Fuse, Bi-metal | |
| Water Supply Temp. | | 37.4°F(3°C) ~ 95°F(35°C) | |
| Temp. of circumstance for use | | 37.4°F(3°C) ~ 104°F(40°C) | |
| Product size | Elongated | 1.52ft(W) x 1.74ft(L) x 0.51ft(H) (462mm x 530mm x 155mm) | 1.26ft(W) x 1.74ft(L) x 0.51ft(H) (385mm x 530mm x 155mm) |
| | Round Front | 1.52ft(W) x 1.62ft(L) x 0.51ft(H) (462mm x 495mm x 155mm) | 1.26ft(W) x 1.62ft(L) x 0.51ft(H) (385mm x 495mm x 155mm) |
| Product weight | Elongated | 9.70lbs(4.4kg) | 9.04lbs(4.1kg) |
| | Round Front | 9.48lbs(4.3kg) | 8.82lbs(4.0kg) |

Galaxy Bidet

71 RUTHS PLACE, SUITE #8
SEQUIM, WA 98382

Phone: 800-681-0753

E-mail: info@GalaxyBidet.com

Web: <http://www.GalaxyBidet.com>



6522-0347-00
Rev.0