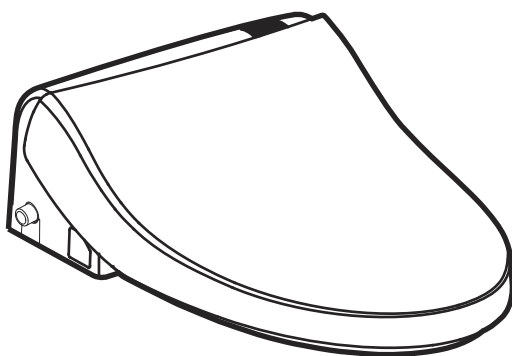


Personal Hygiene Appliance



NB-R1570-EW

- **This product was manufactured for household use only.**
- **Read all operating instructions before installation and use.**
- **Please save this operating instruction manual and place in an easily accessible location.**
- **External appearance and specifications are subject to change for improvement of product without notice.**

Contents

Important Safeguards	2
Grounding Instructions	4
Parts Identification	5
Basic Instructions	7
Functions & Operation	8
Installation	13
Trial Operation	16
Detachment & Service request	17
Maintenance	18
Water Tank Drainage	20
Troubleshooting	21
Product Specifications	22
Warranty	23

IMPORTANT SAFEGUARDS

READ ALL INSTRUCTIONS BEFORE USING.

DANGER To reduce the risk of electrocution.

- Do not use while bathing.
- Do not place or store product where it can fall or be pulled into a tub or sink.
- Do not place in or drop into water or other liquid.
- Do not reach for a product that has fallen into water. Unplug immediately.

WARNING To reduce the risk of burns, electrocution, fire or injury to persons.

- Close supervision is necessary when this product is used by, on, or near children or invalids.
- Use this product only for its intended use as described in this manual.
Do not use any attachments unless recommended by the manufacturer.
- Never operate this product if it has a damaged cord or plug, if it is not working properly, if it has been dropped or damaged, or dropped into water.
Return the product to a service center for examination and repair.
- Keep the cord away from heated surfaces.
- Never block the air openings of the product or place it on a soft surface, such as a bed or couch, where the air openings may be blocked. Keep the air openings free of lint, hair, and the like.
- Never use while sleeping or drowsy.
- Never drop or insert any object into any opening or hose.
- Do not use outdoors. or operate where aerosol(spray) products are being used or where oxygen is being administered.
- Connect this product to a properly grounded outlet only.
See Grounding Instructions.
- Any other servicing should be performed by an authorized service representative.
- Do not dismantle, repair, or alter the unit.
- Do not pour or spray water on to the unit.
- The unit must be grounded.
- Do not touch the power plug with wet hands.
- Properly connect the power cord to the electrical outlet corresponding to the rated voltage of the unit.

IMPORTANT SAFEGUARDS

WARNING To reduce the risk of burns, electrocution, fire or injury to persons.

- Do not use damaged or loose power cord.
- Do not use steam cleaner.
- Keep the unit away from fires or inflammable substance.
- Do not connect to the industrial water supplies.
- Do not connect other electrical appliances to the same power socket connected to the unit.
- Replace damaged power cord and plug by authorized service center.
- Caution against low temperature burns.
- Before removing the unit from the toilet bowl, disconnect the power plug first.

CAUTION To reduce the risk of injury to persons or damage to the product or the property.

- **Do not place heavy objects or step on the unit.**
It may cause product damage or injury.
- **When cleaning the unit, do not use any chemicals. Clean the unit with moist, well-wrung soft cloth. For excessive stains, use soft cloth moistened with mild dish-wash detergent and wipe out with dry cloth.**
It may cause product damage.
- **Do not slam down the lid.**
It may cause product defect.
- **Do not lean on the lid.**
It may cause product defect.
- **When not in use for a long period of time, disconnect the power plug and drain the water tank.**
Tank water may be contaminated and cause skin troubles.
- **Do not twist or pull the connection hoses.**
It may affect water supply or cause water leakage.
- **Do not cover up the warm air outlet or insert hands or other objects.**
It may cause burn or electric shock.
- **Do not operate the unit during product malfunction.**
Disconnect the power plug and call the authorized service center.
It may cause fire or electric shock if the unit is operated while it is out of order.

SAVE THESE INSTRUCTIONS

GROUNDING INSTRUCTIONS

GROUNDING INSTRUCTIONS

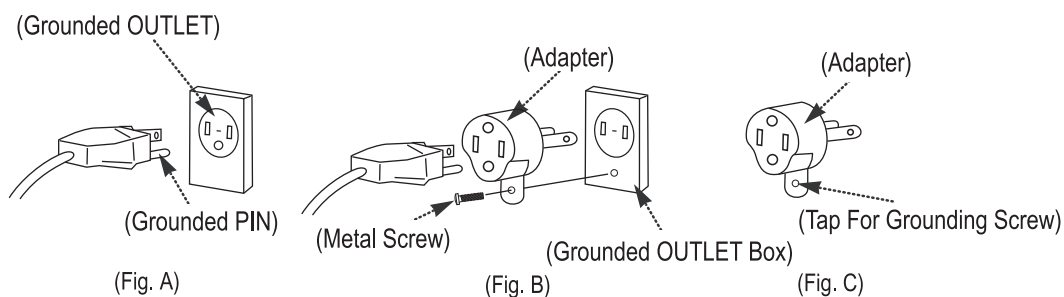
- This product should be grounded. In the event of an electrical short circuit, grounding reduces the risk of electric shock by providing an escape wire for the electric current. This product is equipped with a cord having a grounding wire with a grounding plug. The plug must be plugged into an outlet that is properly installed and grounded.

DANGER - Improper use of the grounding plug can result in a risk of electric shock.

If repair or replacement of the cord or plug is necessary, do not connect the grounding wire to either flat blade terminal. The wire with insulation having an outer surface that is green with or without yellow stripes is the grounding wire.

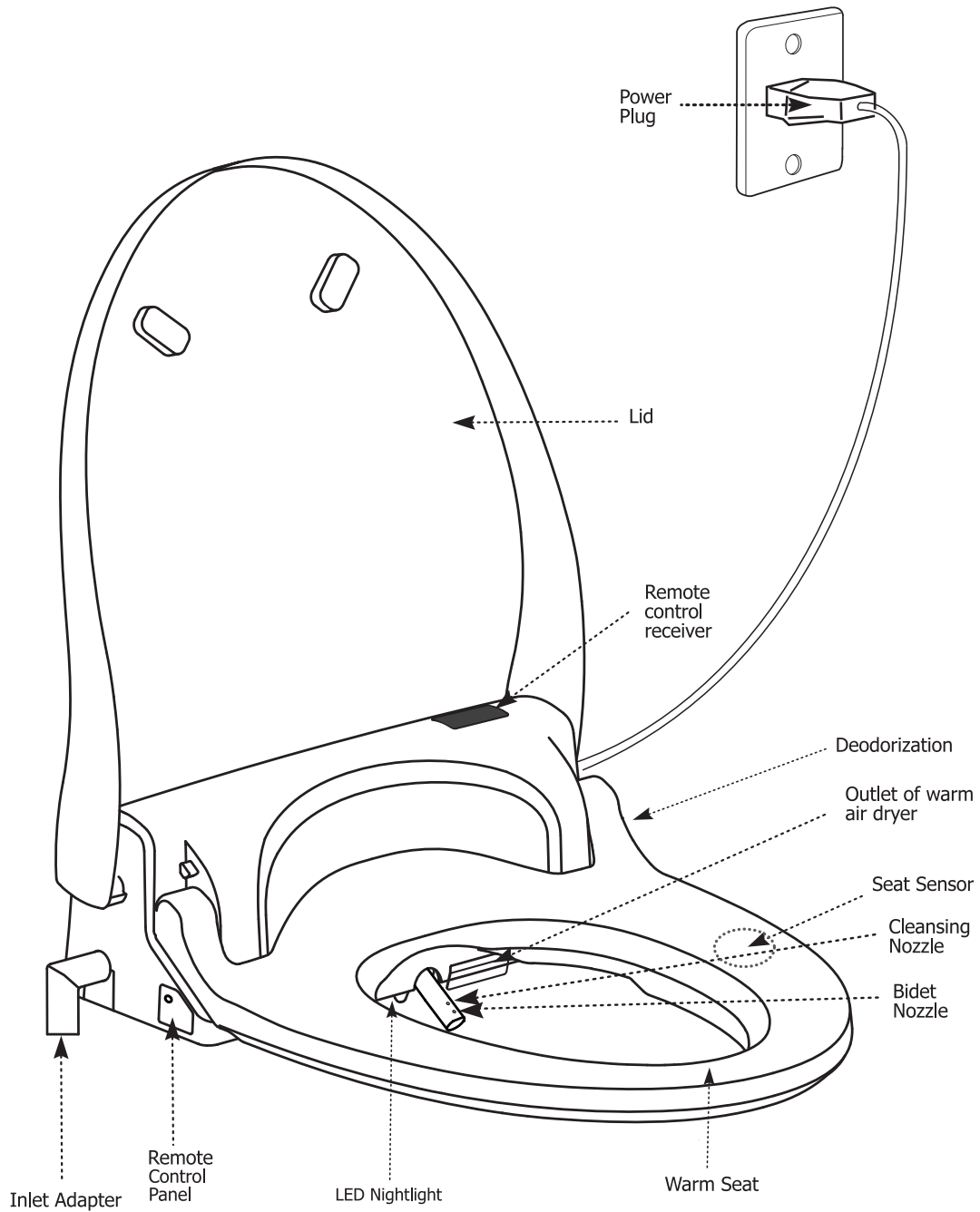
Check with a qualified electrician or serviceman if the grounding instructions are not completely understood, or if in doubt as to whether the product is properly grounded.

- This product is for use on a nominal 120 V circuit, and has a grounding plug that looks like the plug illustrated in Figure A. A temporary adapter, which looks like the adapter illustrated in Figure B and C, may be used to connect this plug to a 2-pole receptacle as shown in Figure B if a properly grounded outlet is not available. The temporary adapter should be used only until a properly grounded outlet (Figure A) can be installed by a qualified electrician. The green colored rigid ear, lug, and the like extending from the adapter must be connected to a permanent ground such as a properly grounded outlet box cover. Whenever the adapter is used, it must be held in place by the screw.
- If it is necessary to use an extension cord, use only a three wire extension cord that has a three-blade grounding plug, and a three-slot receptacle that will accept the plug on the product. Replace or repair a damaged cord.



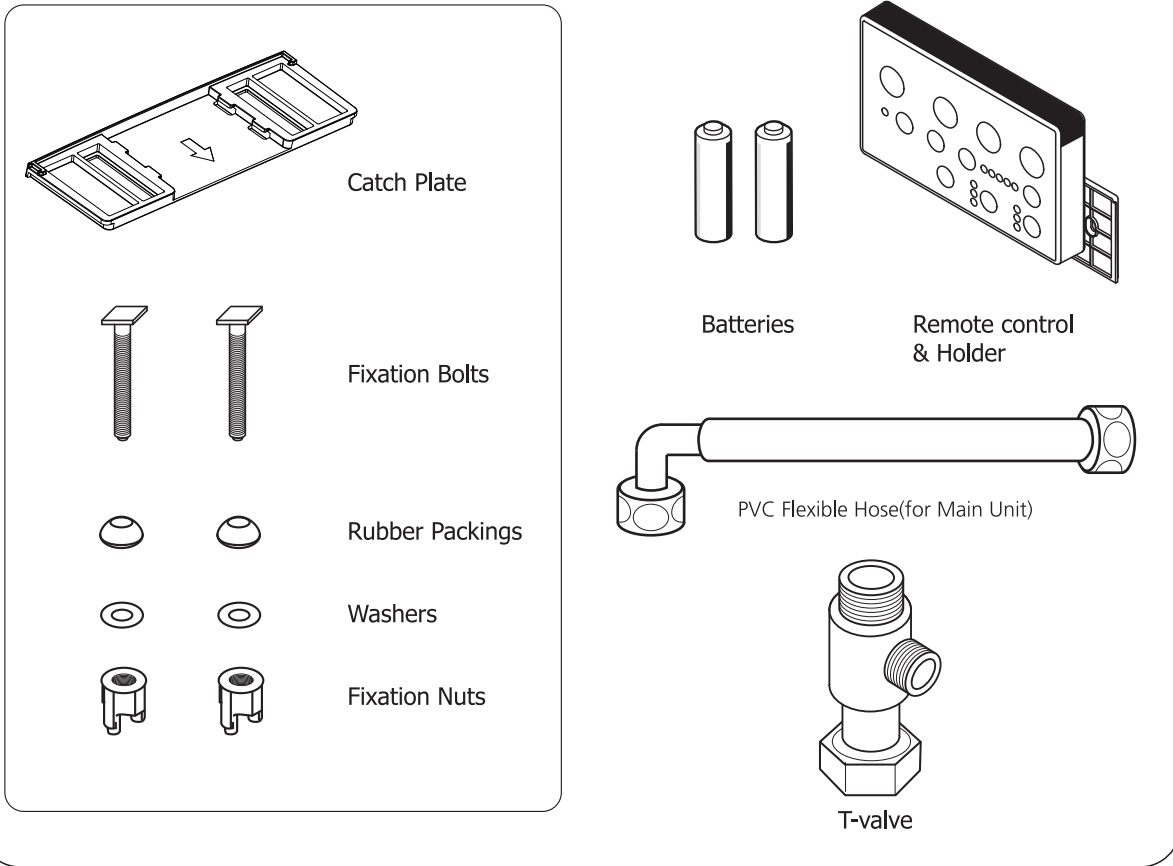
Parts Identification

1 Main unit

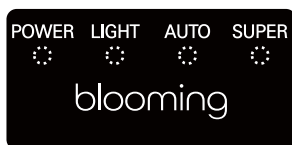


Parts Identification

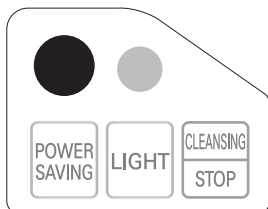
2 Accessory Parts



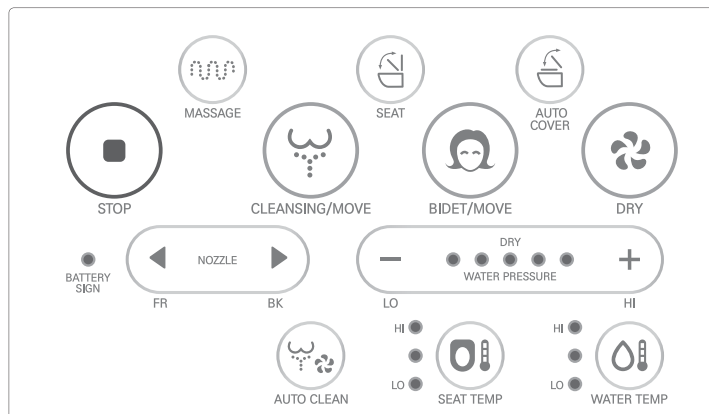
3 Control Panel



LED Pane.



Unit control panel

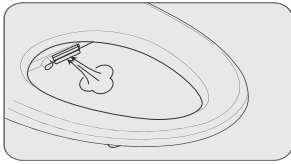


Remote control

Basic Instructions

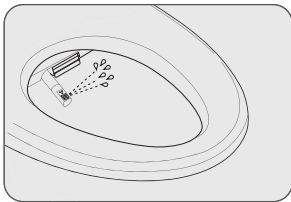
- The control panel on the body of a unit is designed just in case, and therefore water pressure can not be adjusted through it. When water pressure control is needed, press the "CLEANSING" button on the remote control and adjust water pressure with "HI" or "LO" button.
- Do not drop it, spill on it. It will cause damage and problems.

1 Sit on the seat



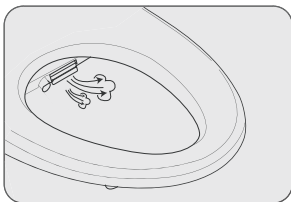
- Sit in center.
- If seat sensor is occupied, "beep" sounds.
- Upon seat is occupied, the deodorization function operates automatically.

2 Press the "CLEANSING" or "BIDET" button



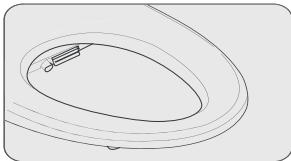
- Operate either the "CLEANSING" or the "BIDET" function.
- Each function operates for 1 minute.
- Move cleansing runs by pressing "CLEANSING" or "BIDET" button while using.
- It beeps if cleansing or bidet cleansing function is over.

3 Press the "DRY" button



- Dryer function will operate for 3 minutes.
- It beeps if dryer function is over.
- Drying operation can be maximized by gently wiping wet area with toilet paper.

4 Press the "STOP" button



- Stops all operating functions.

- When using the unit, please sit in center.
- The seat sensor is installed the inside of the seat part. (Please refer to 5 page.) The unit begins to operate only when a user's skin touch on the seat sensor. **In case of a seat cover or something on the seat, the seat sensor may not operate because the seat sensor can't sense a user's skin.**
- If the "CLEANSING" or "BIDET" function is operated for a long time, water temperature will drop gradually. To regain warm water, resume operation after 3 minutes.

Functions & Operation

● Move (Oscillating Wash)

- Move cleansing runs by pressing "CLEANSING" or "BIDET" button while cleansing or bidet cleansing.
- Nozzle stops by pressing "CLEANSING" or "BIDET" button again.

● Water Pressure Adjustment

- The unit remembers the last water pressure settings.
- Water pressure can be adjusted by pressing the "HI" or "LO" button.(When controlling with remote control)
(Just 3rd level is available and cannot control the water pressure if using button on the unit control panel)

● Nozzle Position Adjustment

- Press the "FR" or "BK" button to adjust the nozzle position during "CLEANSING" or "BIDET" function.
- It returns to the first middle position when finishing and moving away the seat.

● Water Temperature Adjustment

- Press the "WATER TEMP" button to adjust the water temperature level. Select the desired level.

● Warm Seat Temperature Adjustment

- Press the "SEAT TEMP" button to adjust the seat temperature level. Select the desired level.

※ The unit remembers the water and seat temperature settings even if the power is shut off.
No need to readjust the temperature settings after a power failure.

Functions & Operation

Warm Air Dryer Temperature Adjustment

- The unit remembers last warm air temperature settings.
Press "HI" or "LO" button to adjust the temperature of the warm air.

LED Nightlight

- LED Nightlight activates by pressing "LIGHT" button and LED Nightlight function runs automatically when getting dark. To cancel the LED Nightlight function, press "LIGHT" button again and LED goes OFF.
- When LED Nightlight function runs, Bidet senses automatically toilet light and LED Nightlight goes on. User can use conveniently bidet without toilet light.
- Electric power consumption is little and use the LED Nightlight function without care about the electric charge.

Auto Power Saving

- Locate the LED indication at "AUTO" position by pressing "POWER SAVING" button.
- It maintains 30 °C(86 °F) for warm water and seat temperature each in the auto power saving mode.
- Auto power saving function is temporarily released, when sitting on the seat.
Auto power saving function runs again, when moving away from the seat.
- To cancel auto power saving function, press "POWER SAVING" button, then LED indication goes OFF.

Super Power Saving

- Locate the LED indication at "SUPER" position by pressing "POWER SAVING" button.
- Bidet senses toilet luminosity for itself and shows excellent power saving efficiency in the super power saving mode.
- Water and seat temperature maintain normal temperature in the super power saving function and power saving mode is temporarily released when toilet lightning goes ON.
- It returns to normal mode from power saving mode even if occupying the seat in dark condition.
- To cancel super power saving function, press "POWER SAVING" button, then LED goes OFF.

Functions & Operation

● Massage

- Press the "MASSAGE" button and pulsating function runs while cleansing or bidet function are running. (Not operated on the 1st level of water pressure)
- Massage function stops by pressing "MASSAGE" button again.

● Auto Cleansing

- Move cleansing and warm air dryer run for 1 minute each by pressing "AUTO CLEAN" button.
- The Medium level for water pressure, the 2nd level for warm air dryer temperature and the 3rd level of nozzle position are automatically set-up. (Water pressure, warm air dryer temperature and nozzle position can be adjusted according to user preference)
- When using auto clean function, Sensor for ces to set the water & seat temperature to "Medium", in case the temperature were set up on the "High" position. (Can adjust the water & seat temperature according to user preference)
- Buzzer sounds if the auto clean function finishes.
- Can return to previous auto-clean function that was set up when canceling auto-clean function or pressing stop button.
- Useful function for the old, the weak, and children.

● Power On/Off

- Press the "CLEANSING/STOP" button for more than 4 seconds and then the power indication light goes off. Unit will be power off completely.
- Press any button, then power goes ON lighting up the "POWER" LED. [Except "FR", "BK", "HI", "LO", "MASSAGE" button on the remote control]
- The unit remembers all of the prior settings in spite of an electrical outage so no need to reset functions after power is back.

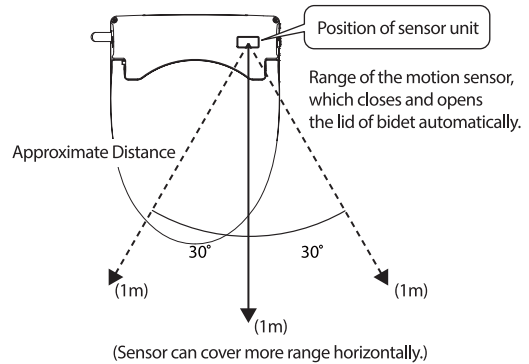
● Nozzle Cleaning

- Press the "CLEANSING/STOP" and "POWER SAVING" button simultaneously on the unit control panel. The nozzle comes out and stops.
- Clean the nozzle manually with a soft brush. Press the "CLEANSING/STOP" button and the nozzle returns to its storage position, then self-cleaning function is operated.

Functions & Operation

Auto Cover Open/Close

- By pressing "AUTO COVER" button for more than 3 seconds you may turn On/Off select Lid automatic Open/Close function.
- When a user approaches toilet bowl, the sensor senses and automatically opens the Lid.
- When a user leaves toilet bowl, lid is automatically closed after one minute. (If a user stays near toilet bowl, sensor continues senses so lid is not closed.)
- After lid is automatically closed, this function will not activate for 15 seconds even though a user is sensed.
- The sensor sensed the Front, Left and Right direction from the toilet bowl as illustration.
- By pressing "AUTO COVER" button, you may Open/Close the lid.



Seat Open/Close

- By pressing "SEAT" button, you may Open/Close the seat.
- When the seat is opened, it will automatically close after 2 minutes. (If a user stays near toilet bowl, sensor continues senses so seat is not closed.)
- The seat may be opened or closed with manually.

Self Nozzle Cleaning

- Before and after each operation, the self nozzle cleaning function runs and sanitizes the nozzle head.

Deodorization

- Deodorizing function automatically runs when occupying the seat. Sound of deodorization running appears.
- When moving away from the seat, deodorizing function runs for 1 minute more and stops automatically (When occupying the seat for over 30 minutes, it runs for 30 minutes and stops.)

Functions & Operation

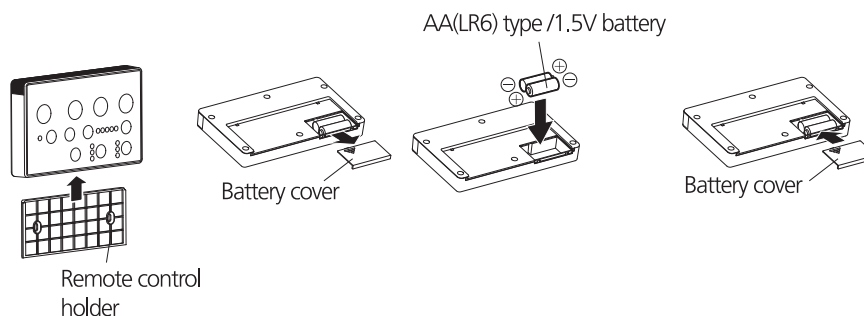
Burn protecting system at the low temperature

- Seat temperature goes down in case the temperature position is "HI" when sitting on the seat for over 30 minutes. (May cause burns at the low temperature in case sitting on the seat for a long time.)
- It returns to set point when resetting or moving away from the seat.

Changing batteries of remote control

- When the "BATTERY SIGN" indicator blinks on and off, remote buttons will not work properly and it is time to replace the batteries. However, the batteries may discharge quickly under certain operating conditions, such that the remote control unit may be disabled before the user notices the "BATTERY SIGN" indicator is blinking.
- Battery type : AA size Alkaline (LR6) battery, 2ea

1. Separate the remote control from the remote control holder.
2. Open the battery cover and change to new batteries. (Battery life time : about 1 year)
3. Close the battery cover and insert the remote control into the remote control holder.



⚠ Caution

- Battery type to be inserted is AA(LR6) /1.5V. Risk of explosion if battery is replaced by an incorrect type. Dispose of used batteries according to the instruction.
- Insert the batteries according to the (+) , (-) indications marked on the remote control.
- Do not use the used battery and new one together.

Installation

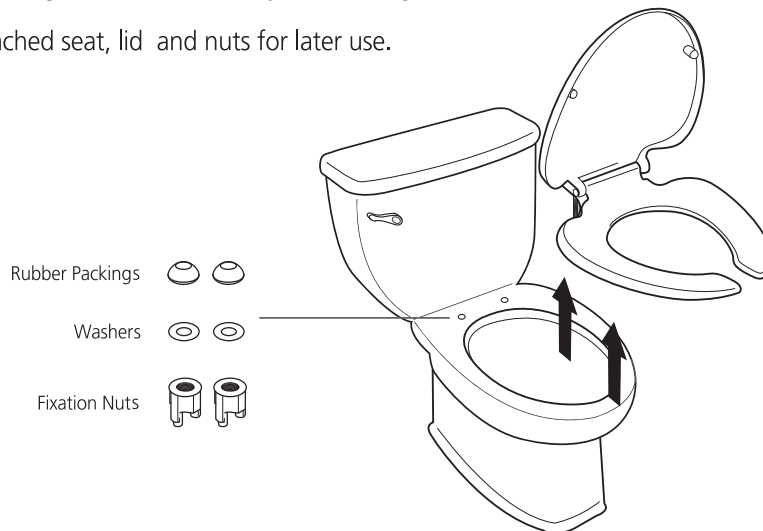


Caution before installation!

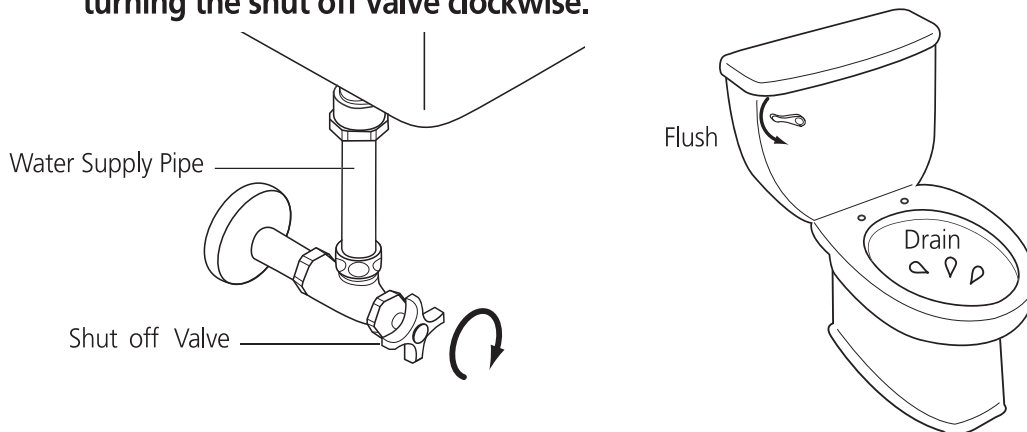
- Check whether the size and shape of the toilet seat are suitable for installation.
- Check all the accessory parts are in place.
- Do not connect the power until installation is finalized.
- Ground connection should be done by authorized service person only.

1 Remove the existing toilet seat.

- Remove the existing toilet seat and lid by unfastening fixation nuts underneath.
- Keep the detached seat, lid and nuts for later use.



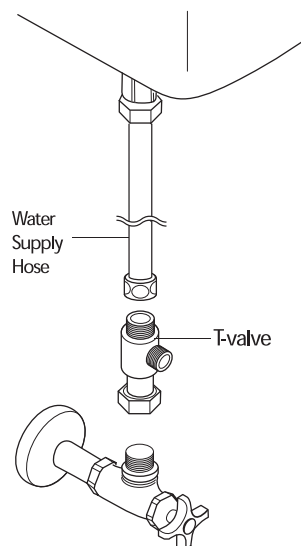
2 Drain toilet water tank completely after turning off the water supply by turning the shut off valve clockwise.



Installation

- 3** Detach the water supply hose on the part of the toilet water tank, then install the T-valve.

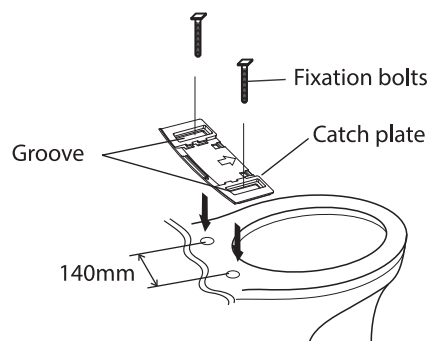
In case of a rigid pipe, T-valve cannot be installed.
Needs to purchase and install the separate flexible hose(for water tank).



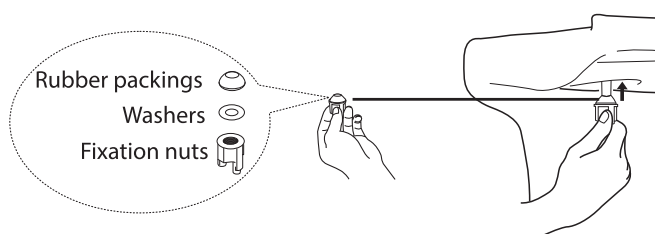
- 4** Place the groove of the catch plate on the fixation holes of the toilet.

• Possible to install for 140mm hole distance only.

- 5** Insert the fixation bolts into the holes of the toilet.

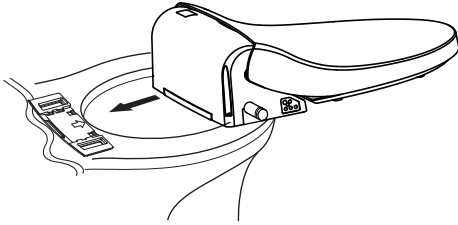


- 6** Fix the catch plate tightly by fastening the Fixation bolts with Rubber packings, Washers, Fixation nuts.

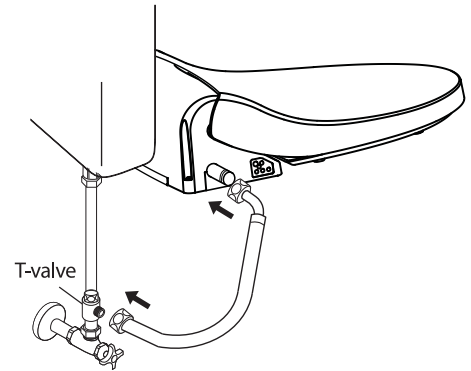


Installation

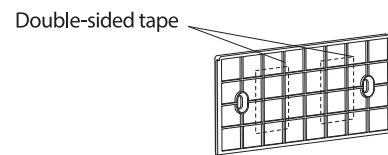
- 7** Slide the unit to the catch plate installed according to grooves underneath the unit.



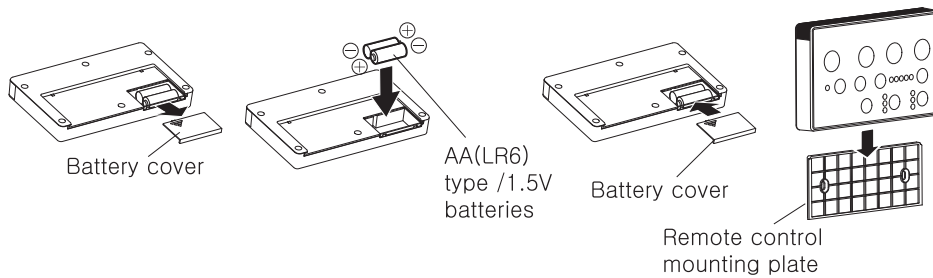
- 8** Connect the flexible hose to the T-valve and the unit.



- 9** Attach the remote control on the wall with double stick tape.

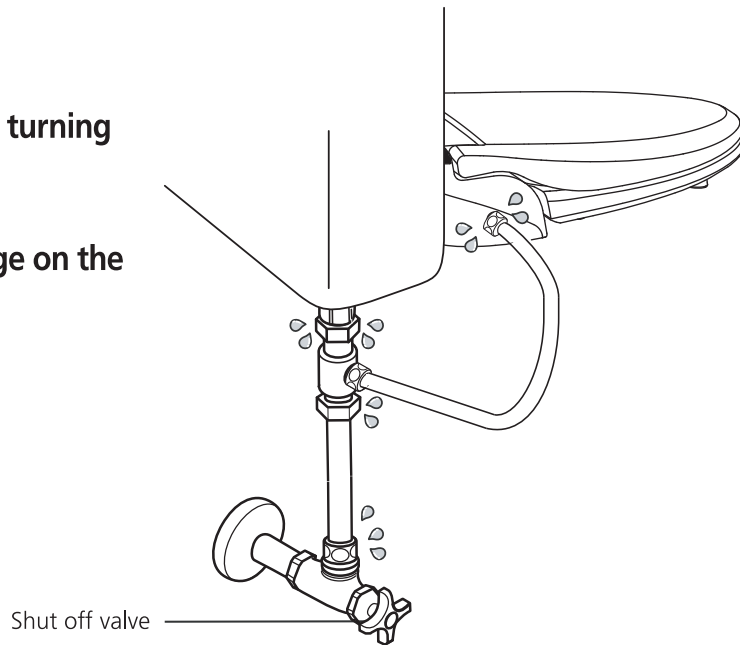


- 10** Insert batteries as illustration below and put the remote control into the remote control holder.



Trial Operation

- 1 Open the shut off valve by turning counterclockwise.
- 2 Check for any water leakage on the connection hoses.



- 3 Connect the power plug.

- If the power indication light is not turned on after the power plug connection, press any button except "HI", "LO", "FR", "BK" buttons of the remote control, then power goes ON.

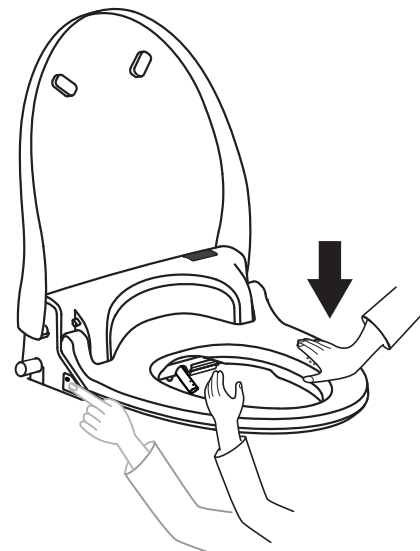
★ **WARNING**

Do not turn over or move the unit after power connection.
It may cause electric shock.

- 4 Press the "CLEANSING" or "BIDET" button on the unit so that the water tank can be filled up with water.
One long beep will sound when the water tank is filled up.

- 5 To test the water spray operation, press either "CLEANSING" or "BIDET" button putting a hand on the seat sensor.

*Cover the nozzle with a hand for water not to spatter out.

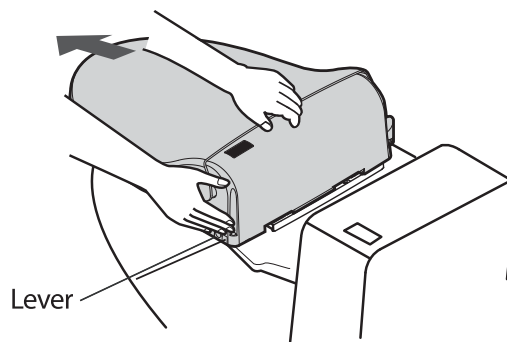


Detachment and Service Request

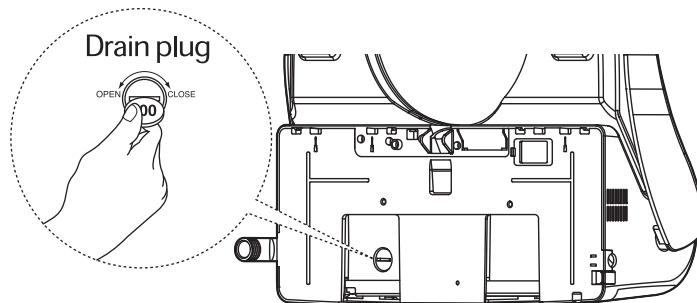
Follow the below instructions if in need to detach the unit for to move.

- 1 Disconnect the power plug.
- 2 Close the water supply by turning the shut off valve clockwise and drain the toilet water tank completely.
- 3 Disconnect the flexible hose from the unit and unfix the unit from the toilet. And unfix the catch plate from the toilet.

To detach the unit, pull forward at a state of lifting up the front part of the unit as shown on the illustration.



- 4 Unfasten the drain plug underneath the unit and drain the water completely in the water tank.

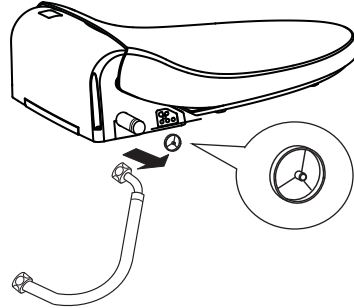


- 5 Disconnect the flexible hose and T-valve.
- 6 Connect the water-supply hose to the shut off valve.
- 7 Open the shut off valve by turning counterclockwise and check any leakages on the connections.
- 8 Reinstall the original seat and lid to the toilet.

Maintenance

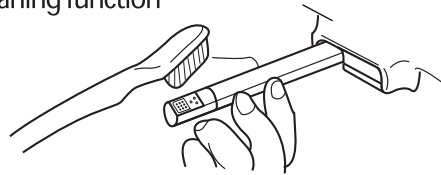
Cleaning the Water Strainer

- 1 Close the water supply by turning the shut off valve clockwise and drain the toilet water tank completely.
- 2 Remove the water strainer by turning counterclockwise.
- 3 After cleaning the strainer, reinsert it by turning clockwise.
- 4 Open the shut off valve.



Cleaning the Nozzle

- 1 Press the "CLEANSING/STOP" and "POWER SAVING" button simultaneously on the unit control panel. The nozzle comes out and stops.
- 2 Clean the nozzle manually with a small brush. To return the nozzle to its storage position, press the "CLEANSING/STOP" button. Then nozzle self cleaning function is automatically activated.



External Cleaning

- The external case of the unit is made of the plastic which may be damaged by scrubbers, chemicals, etc. Do not use any chemicals.
- Clean the unit with a tightly wrung wet soft cloth. Do not spray water the unit.
- Disconnect the power plug when cleaning. Please be careful not to splash the water to the plug or socket.
- Touching the power socket with wet hands can cause an electric shock.

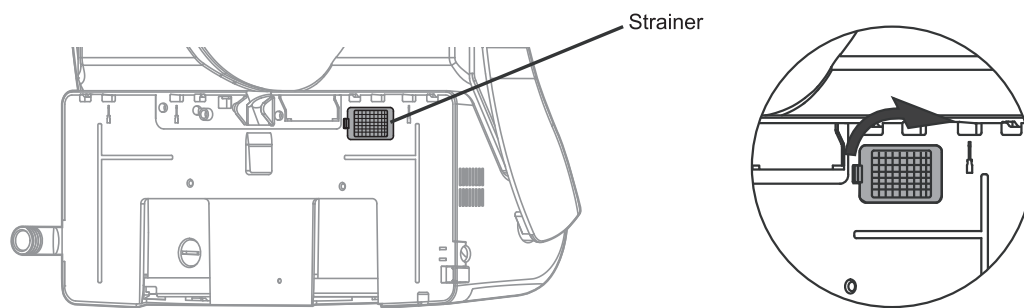


Maintenance

How to clean the strainer

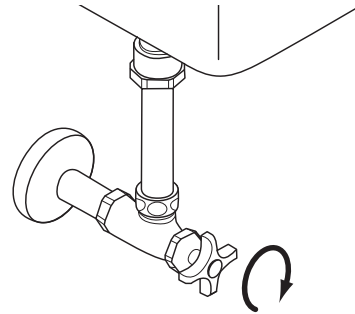
- The strainer effectively filters dust not to flow in the deodorant filter which removes an offensive odor. As the strainer covered with dust might drop off in efficiency, it should be cleaned regularly.

1. Pull the strainer out of the body of a unit.
2. Brush or wash dust off, and Insert back.
(Be careful not to tear a filter when brush off, and dry up enough after wash off)

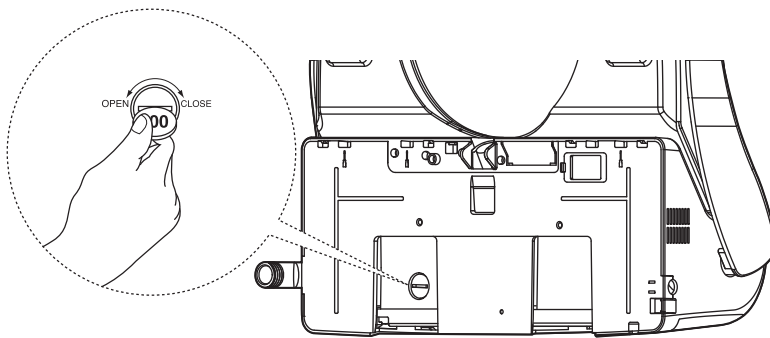


Water Tank Drainage

- 1 Disconnect the power plug first.
- 2 Close the shut off valve by turning clockwise.

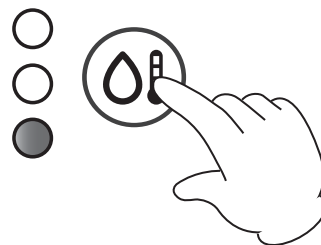
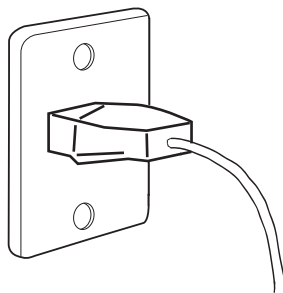


- 3 After placing a basin (2ℓ) under the drain hose, unfasten the drain plug and drain the water tank completely.



Freeze Prevention during Winter

- 1 Connect the power plug and check if the unit power is on.
- 2 Do not turn off the "WATER TEMP" level and adjust water temperature to "LO" or higher.
- 3 If not in use for a long time, drain the water tank.



Troubleshooting

Check the followings details before calling for service.

Problem Description	Possible Causes
Unit does not operate at all	<ul style="list-style-type: none"> • The power is OFF. ☞ Press any button to check except "HI", "LO" buttons of the remote control. • The power plug is not connected. • There is a power failure.
Cleansing, Bidet, Dry, Autoclean do not operate	<ul style="list-style-type: none"> • A seat cover or something is laid on the seat. ☞ Have you checked If a seat cover or something had been on the surface of seat? The unit begins to operate only when a user's skin touch on the seat sensor.
Remote control does not operate at all	<ul style="list-style-type: none"> • Batteries in the remote control have been exhausted . • The toilet lighting is the three wave lamp. ☞ Remote control may not run if the toilet lighting is the three wave lamp. Please adjust the position of the remote control or recommend changing the toilet lighting to normal lamp in case the remote control does not run in spite of position adjustment.
No water spray	<ul style="list-style-type: none"> • The shut off valve is closed. • There is water supply outage.
Low water pressure	<ul style="list-style-type: none"> • The water pressure level is set to "LO". • The water strainer is clogged.
Water temperature is low	<ul style="list-style-type: none"> • The water temperature level is turned off or set to "LO". • Warm water can be used for about 40 seconds at the "MID" setting. It will take about 3 minute to regain selected temperature.
Seat is not warm	<ul style="list-style-type: none"> • The warm seat temperature level is turned off or set to "LO".
Dryer air is not warm	<ul style="list-style-type: none"> • The warm air dryer temperature level is turned off or set to "LO".

Product Specifications

Item		NB-R1570-EW
Power Supply		120V ~ , 60Hz
Max. Power Consumption		1060W
Length of Power Cord		3.94ft (1.2m)
Water Supply Connection		Direct connection to the water supply
Water Supply Pressure		14.223psi ~ 106.675psi (98 - 735 kPa)
Cleansing	Water Flow Rate	Cleansing 0.55 ℓ/min
		Bidet 0.55 ℓ/min
	Water Pressure Adjustment	5 Levels
	Temp. Adjustment	Normal Temp. 93.2°F (34°C), 98.6°F (37°C), 104°F (40°C)
	Heater Capacity	1000W
	Safety Device	Thermal Fuse, Thermostat, Water Level Sensor
Warm Seat	Temp. Adjustment	Normal Temp. 95°F (35°C), 100.4°F (38°C), 104°F (40°C)
	Heater Capacity	55W
	Safety Device	Thermal Fuse
Dry	Temp. Adjustment	Normal Temp. 122°F (50°C) (5 Levels)
	Heater Capacity	195W
	Safety Device	Thermal Fuse, Bi-metal
Water Supply Temp.		37.4°F (3°C) ~ 95°F (35°C)
Temp. of circumstance for use		37.4°F (3°C) ~ 104°F (40°C)
Product size		410mm X 535mm X 150mm
Product weight		4.8kg

* This device complies with Part 15 of the FCC Rules. Operation is subject to the following two conditions: (1) this device may not cause harmful interference, and (2) this device must accept any interference received, including interference that may cause undesired operation.

Warranty

Product Warranty Card

- We warrant our products to be free from manufacturing defects under normal use and service for a period of one(1) year after purchase. This warranty is extended only to the original purchaser.
- For product defect, please contact your vendor or our service center.

Product Name		Model Name	NB-R1570-EW
Date of Purchase		Serial Number	
Name of Purchase		Duration of Warranty	One year after purchase

< Free After-sales Service Regulations >

- During the duration of the warranty period, if product defect occurs during normal application as stated in the Instruction Manual, Cautionary Notes, Direction Labels, etc., the product is applicable for after-sales service free of charge.
- Even during the warranty period, after-sales service is not applicable free of charge in case of the following conditions :

- (1) Damage occurring from customer negligence or fault, and defect or damage occurring from wrongful repair or alteration.
- (2) Defect or damage occurring from fire, gas, flood, earthquake, lightning, other natural calamities, pollution, or abnormal electrical power.
- (3) Defect or damage occurring from outside of normal household usage.(long term public usage, used inside a vehicle, installed inside a vessel, etc.)
- (4) Defect or damage occurring from transportation of mistreatment after purchase.
- (5) Defect or damage occurring during removal after installation.
- (6) Wearing of consuming parts.(Packing, Filters, etc.)
- (7) Product reinstallation by customer request.
- (8) Read the Instruction Manual carefully before requesting for an after-sales services since charges will be invoiced for faulty service call visits.

Hygiene For Health[®]

Hygiene For Health[®]

151 Ruths Place Suite 5

Sequim WA 98382

Tel. 800-681-0753

Fax. 360-681-4029

E-mail : ramblin@olypen.com

Web : www.hygieneforhealth.com

6522-0000-00
Rev.0