

SELTZÄ

Installation, Operation, and Maintenance Guide

SeltzaHub/ SeltzaTap/ SeltzaTap Compact



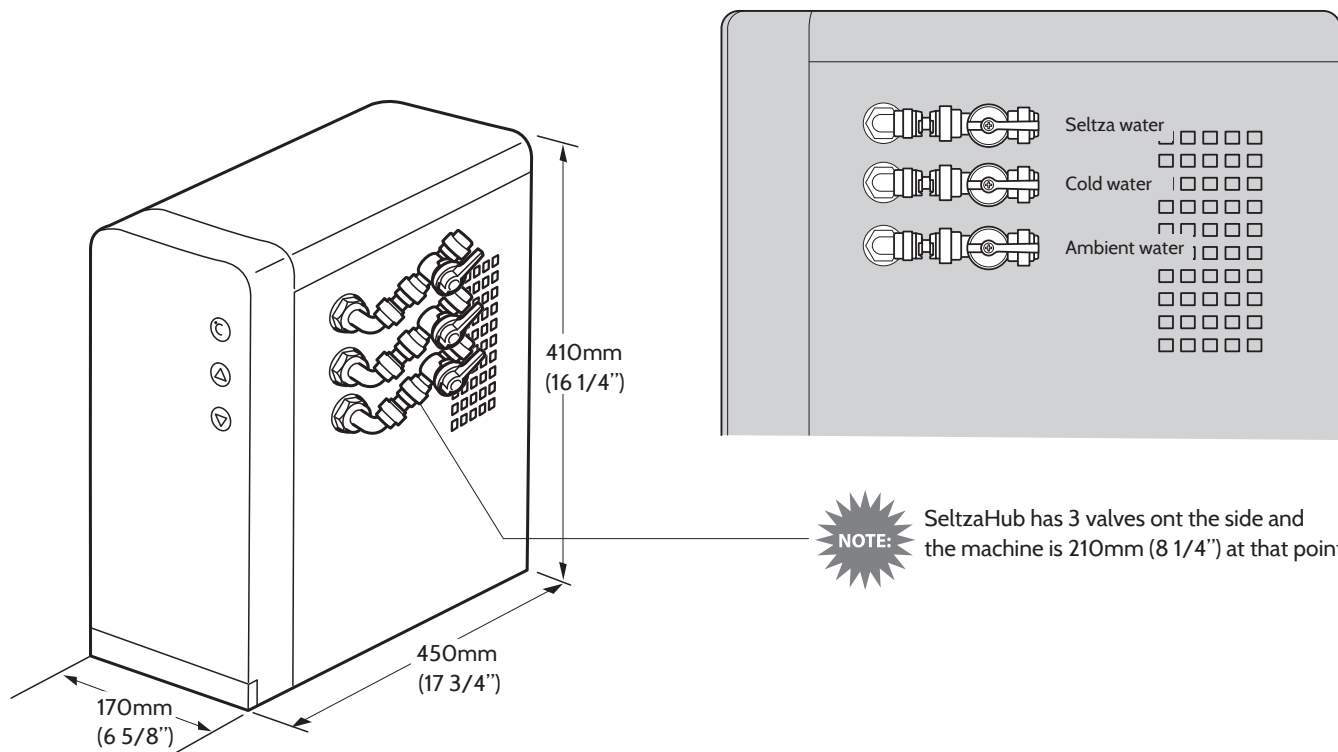
Intertek
5013921

CONFORMS TO UL STD.399
Certified to CSA STD C22.2 NO.120

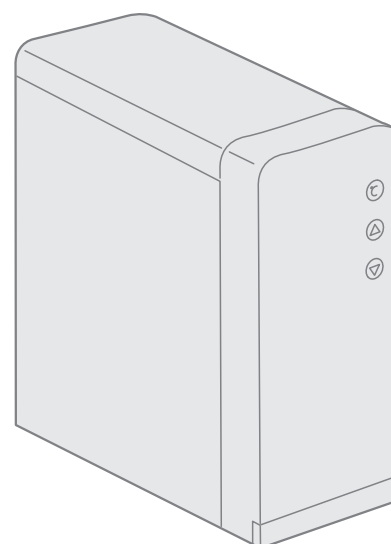
Table of contents

1. SeltzaHub	3
Technical Specifications	3
What's included	4
Installation	5-8
Operation	9
Maintenance	10
2. SeltzaTap	13
Technical Specifications	13
Installation	14-15
Operation	16
Maintenance	17-18
3. SeltzaTap Compact	19
Operation	20

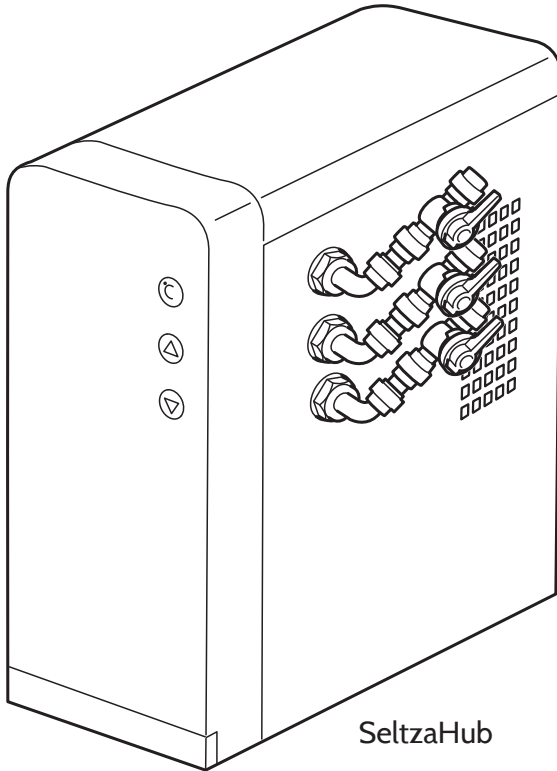
Tecnical Specifications



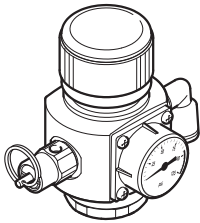
Voltage	120V 60Hz
Current	4A
Chilled still water capacity	3 litre/ hour
Soda water capacity	4-6 litre/ hour
Refrigerant Type and Charge	R134a 55grams
Cooling temperature	2-12°C
CO2 inlet pressure	65-80 psi
Water inlet pressure	29 - 60 psi
A-Weighted Sound Pressure Level	40 to 50 dB
SeltzaHub only weight	17.5kg (38.6 lbs)
Packaging weight	20.0kg (44.1 lbs)



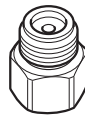
What's included?



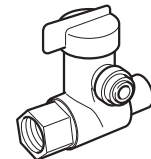
1. SeltzaHub
2. CO2 Regulator with TR21-4 threads
(SodaStream style cartridge)
3. Regulator adapter to CGA-320
(Larger style CO2 Tanks 5, 10, 20 lbs)
4. T-Stop Valve
5. Tubing as per below
6. Power Cord



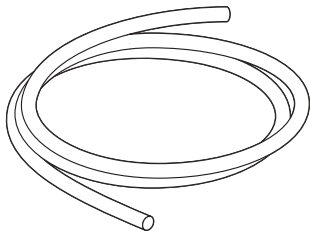
Seltza regulator
TR21-4 threads



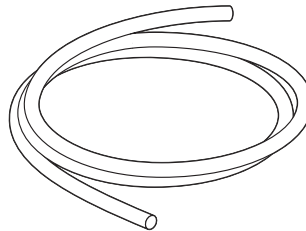
Regulator adapter
for CGA-320 threads



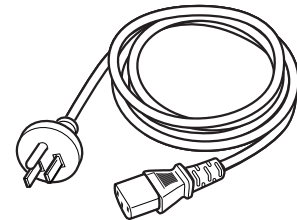
T-Stop valve



1 @ 3ft x 1/4'
for water inlet



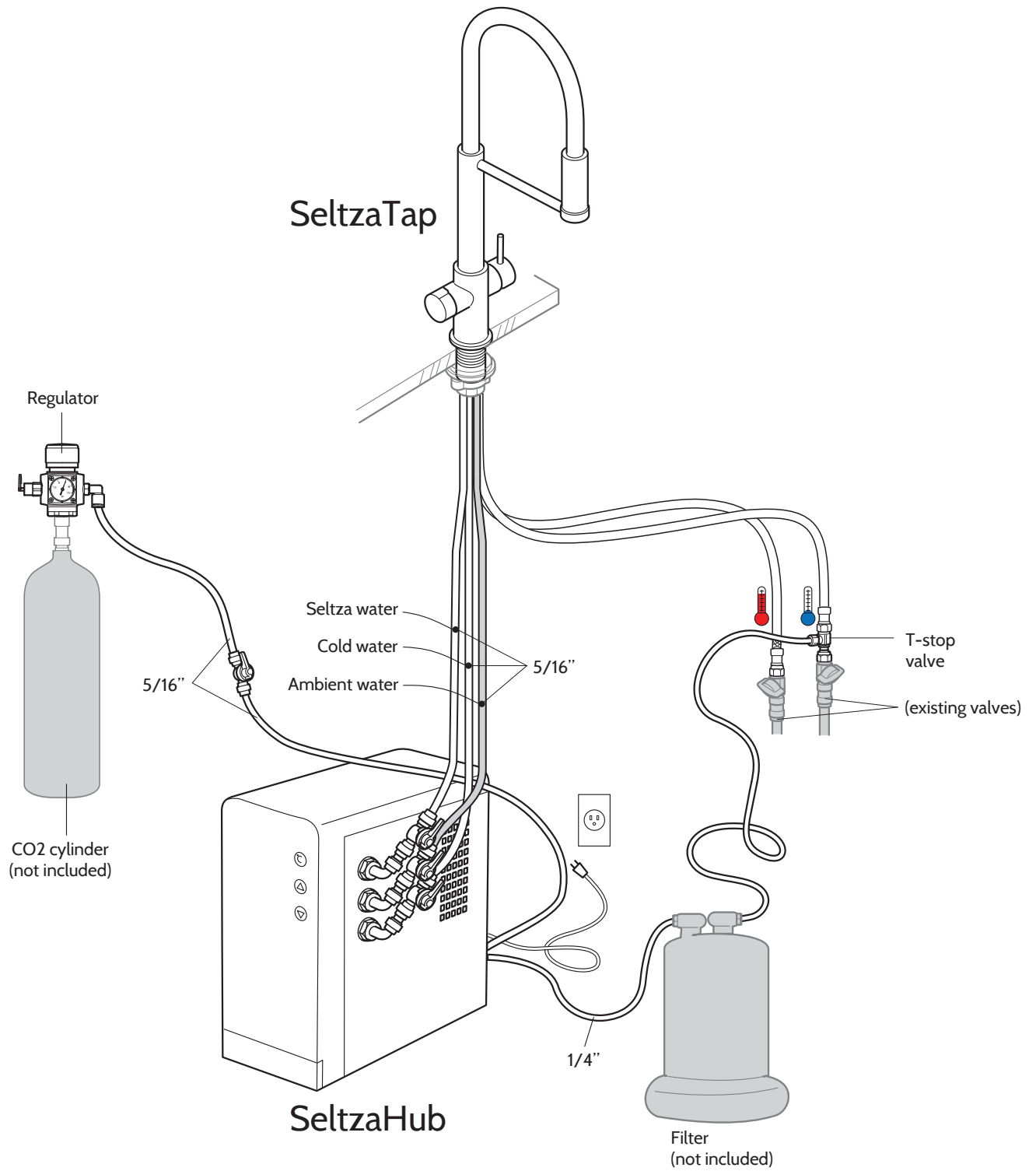
4 @ 3ft x 5/16'
for ambient,
cold, soda and gas.



Power Cord

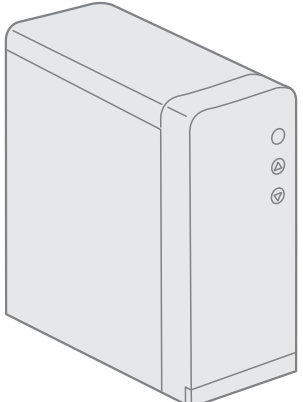
Installation

Overall view of installation

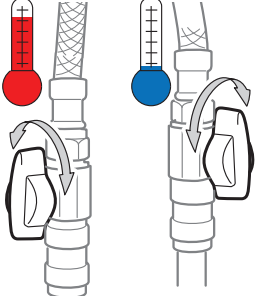


Installation

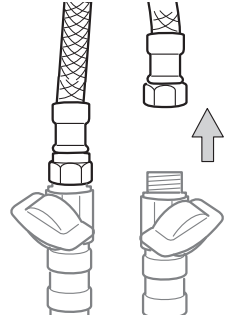
1 Ensure the SeltzaHub is put into the proposed installation location 24 hours before starting up. This ensures there will be no issues with refrigerant system.



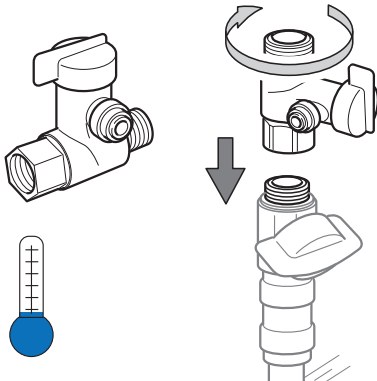
2 Turn off cold water from existing valve under the sink.



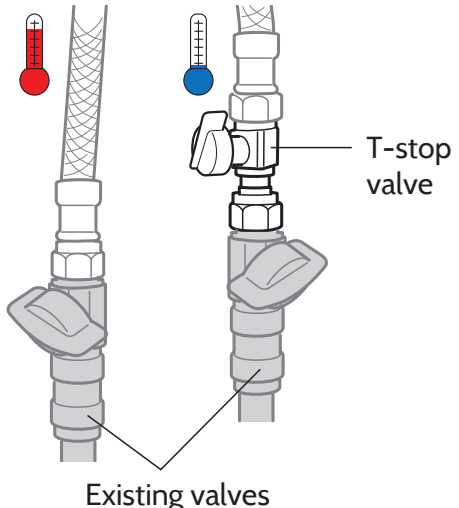
3 Disconnect existing cold water lines from existing valve.



4 Install T-Stop Valve in existing cold water line.

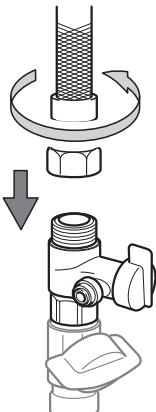


Sample image under the sink



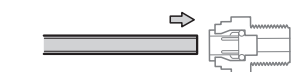
Check for leaks. Ensure T-Stop Valve is turned off. Turn on Main Cold Water supply and check for any leaks. (Show picture of T-Stop valve off and Main water on)

5 Connect cold water faucet hose to the T-Stop valve.

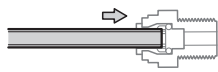


Installation

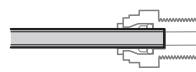
How To Use Quick Connect Fittings



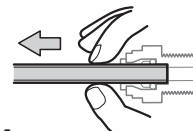
1 Cut the tube square and push into the tube stop. For metal tube, remove burrs and chamfer tube end to prevent O-ring seal from being damaged.



2 Fitting grips before it seals. Ensure tube is pushed into the tube stop.

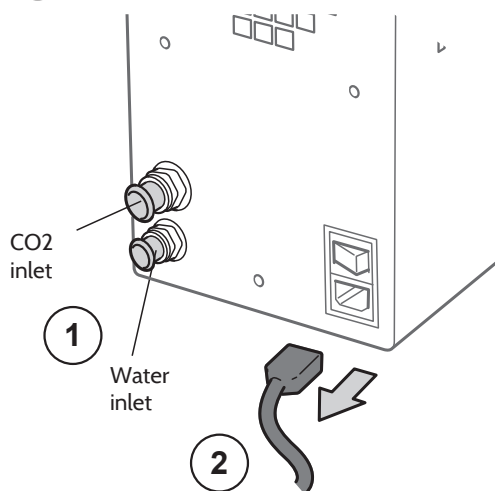


3 Tube is secured in position

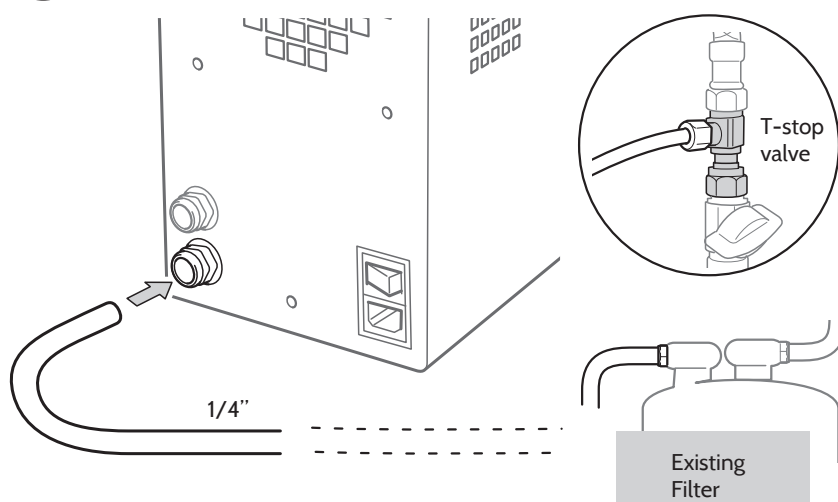


4 DISCONNECTION PROCEDURE
Push collet against body and slide tube out fitting.

1 Disassemble the blue safety clip and take out the plug, (if applicable).

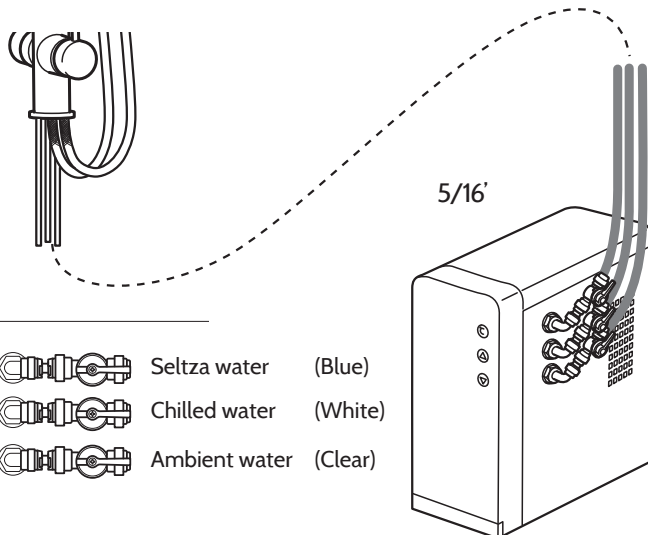


2 Connect the 1/4" diameter water pipe to the T-stop valve or the filter system and the SeltzaHub water inlet.

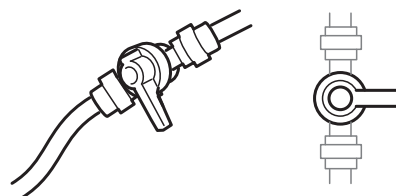


3 Connect the chilled sparkling, chilled still, and ambient still 5/16" tubing from SeltzaHub to SeltzaTap.

For third party faucets modify connections to work with the SeltzaHub



4 4) Check for water leaks in the system.
a) Ensure all the valves on the side of the machine are off.



- b) Turn on Main water valve. Check for leaks
- c) Turn on T-Stop valve Check for leaks
- d) Turn on Each valve on the side of SeltzaHub and wait for 5 seconds. Check each valve for leaks.
- e) Leave valves open

5 Take the 5/16" gas tubing, cut as needed and assemble the tubing to the pressure reducer.

to Seltza regulator
5/16"

6 Connect 5/16" tube in the back of the SeltzaHub to CO2 inlet.

5/16"

7 Assemble the pressure reducer to the CO2 cylinder. Ensure regulator is off. Turn counter-clockwise till it stops.

NOTE:
Any CO2 bottles should always be upright during use, storage and transit. If the bottle has been left horizontal, place upright and let it stand for 60+ minutes to allow content to settle before initialising.

420gram Existing CO2

Regulator adapter CGA-320

5, 10, or 20lbs Existing CO2

8 Plug in and turn on power. Let the cooling system inside the SeltzaHub cool and carbonate for 20 minutes. You should hear the pump feed water into the machine and the compressor start up.

on/off

00:00 mins.

9 10 minutes after turning power on adjust the CO2 pressure regulator to 75 psi. Ensure no CO2 leaks

10:00 mins.

10 20 minutes after operation open the faucet valve and let 500ml (16 oz) of sparkling water.

500ml/ (16oz)

Water coming out of second nozzle.

Left hand lever

20:00 mins.

11 Wait 20 minutes to let the system re-cool and then tap 500cc of sparkling water.

500ml/ (16oz)

Water coming out of second nozzle.

Left hand lever

20:00 mins.

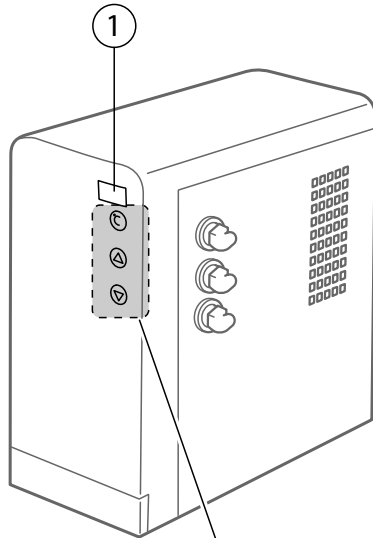
12 Let system cool for 20 minutes.

20:00 mins.

Enjoy your Seltza water.

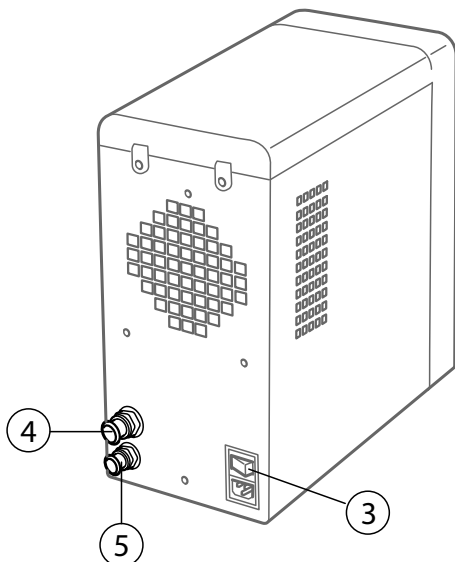
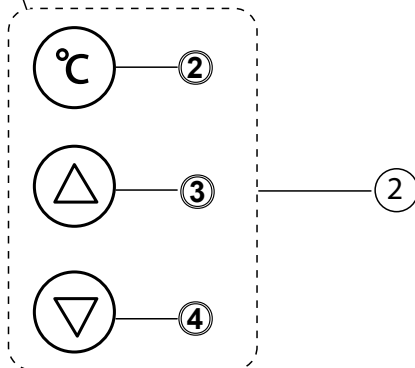
60:00 mins.

Operation



Button functions

No	Name and function	Comments
1	LED Lamp -- status of the cooling system	Show temperature of the cooling Error: Fault of the machine (see detail below)
2	Temperature adjustments	Press 2 for five seconds, button 3 and 4 will start to shine, then adjust the temperature (from 2-12°C) press 3, temperature goes up. press 4, temperature goes down.



Back side of the machine

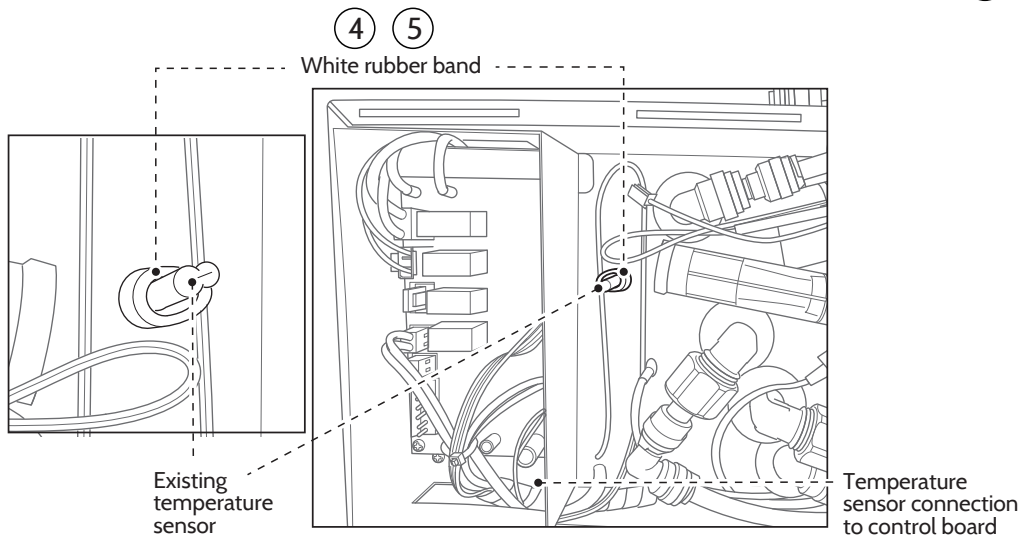
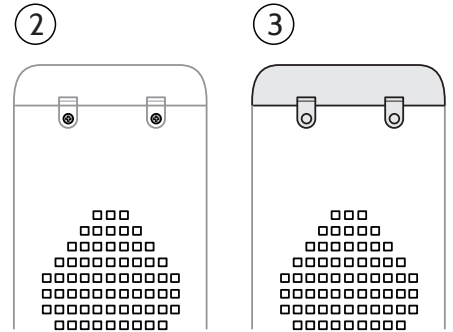
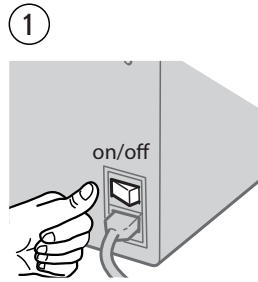
No	Name and function	Comments
3	Operational buttons	ON - OFF button
4	CO2 inlet (5/16" = 7.95mm)	CO2 gas to be 65-80 Psi
5	Water inlet (1/4" = 6.35mm)	Water pressure to be 29-65 Psi

SeltzaHub Maintenance

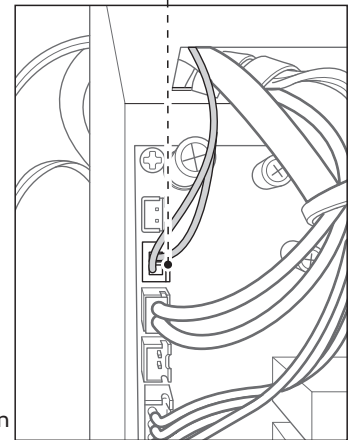
Replacing the temperature sensor.

The temperature sensor has a limited life span. A new one is included inside the top of the machine.

1. Turn off SeltzaHub.
2. Remove 2 screws at the back and top of the seltzaHub.
3. Remove plastic cover.
4. Remove elastic band around temperature sensor.
5. Pull temperature out of well.
6. Follow the wire back and remove from connect marked CN 16 on board.
7. Install in reverse.



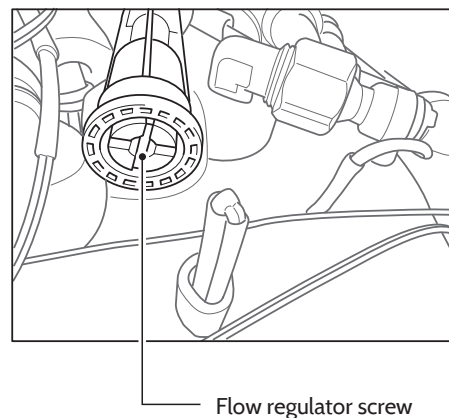
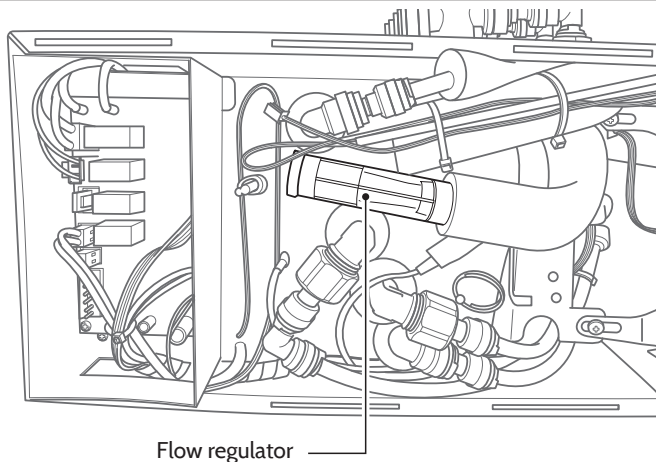
- 6 Temperature sensor connection to control board. Marked CN16. Pull out to disconnect.




Flow Rate Adjustment

It is possible to adjust the flow rate up or down inside the SeltzaHub. This may increase the instance of E4 error codes and is not detrimental to the machine.

1. Turn off SeltzaHub
2. Remove 2 screws in the back top of the SeltzaHub
3. Remove the top cover
4. Locate the flow regulator. Mark the current screw location with a marker in case you want to go back to the factory setting of 15 mL/second.
5. Turn flow regulator screw counter clockwise for increased flow. Turn clockwise for decreased flow.



Potential faults and actions to be taken

No	Fault	Actions to be taken	Comments
1	When using the Soda water, gas comes out of the Seltza Tap.	Recommended to wait a little, then problem will solve by itself.	This happens when taking to much soda water at one time.
2	Machine is not working properly	Recommended to shutdown the machine and re-operate it after 30 seconds.	
3	SeltzaHub display error	E1 NTC connection is open.	Replace temperature sensor as per maintenance instructions
		E2 NTC is short-circuited.	Replace temperature sensor as per maintenance instructions
		E3 Temperature is too low.	Shut down the machine, restart after 30 seconds.
		E4 Pump Protection as the pump is working to long.	Shut down the machine, restart after 30 seconds.
		E5 Compressor protection, the compressor works too long time	<ol style="list-style-type: none"> 1. Check for proper ventilation under the counter. 2. Check that fan is operational and that is not blocked. 3. Check the temperature shown on the front of the display. If it shows 35 or more than the temperature sensor needs replacement. See maintenace requirements below. 4. Room temperature may be to high.
4	Soda not working or flat	CO2 bottle is empty.	Replace CO2 bottle.
		Power is off.	Turn on the power switch.
		Not enough bar pressure.	Slightly increase CO2 bar pressure.
5	Noise	If there are any unusual NOISE, shutdown the SeltzaHub, close the water inlet and gas inlets.	Do not try to fix the machine. Shutdown the machine and contact Seltza customer support.
6		This marking indicates that this product should not be disposed with other household wastes. To prevent possible harm to the environment or human health from uncontrolled waste disposal, recycle it responsibly to promote the sustainable reuse of material resources.	Correct Disposal of this product.

WARRANTY

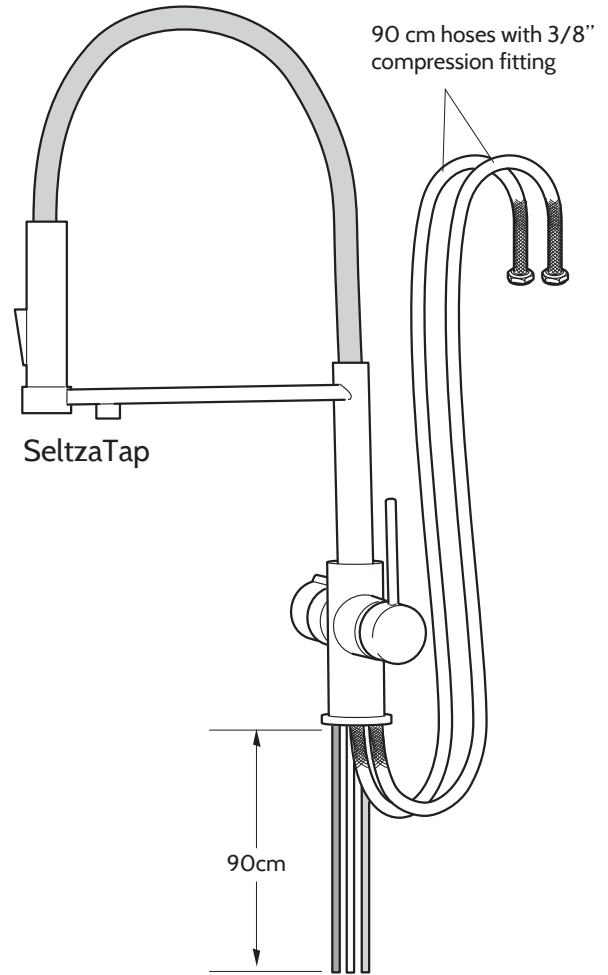
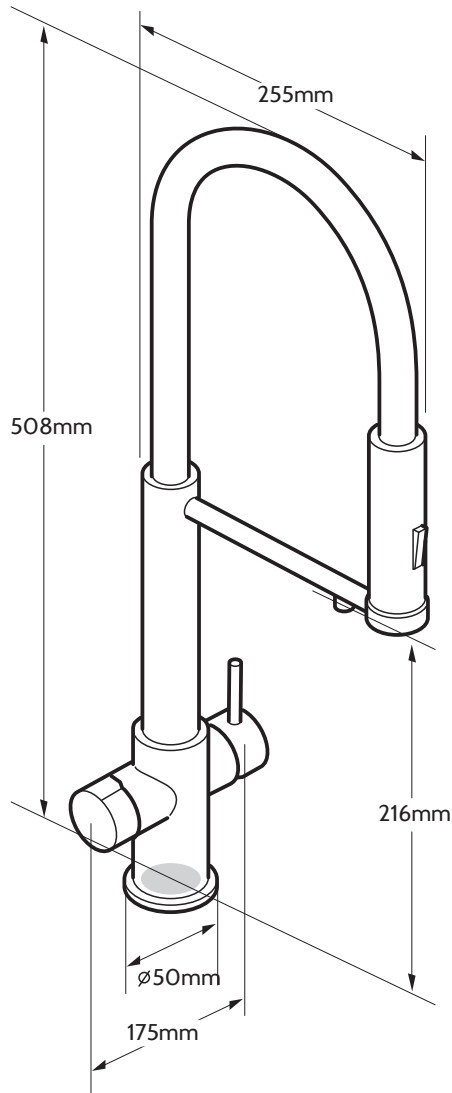
Any claim under this warranty must be made within 1 year of the date of purchase of the product. This product is warranted to be free of defect of material and workmanship for 1 year from date of purchase. To make claim under warranty, take the product and proof of purchase to place where you purchased the product, and they will lodge a Warranty Request Seltza.

The warranty only applies if the product was used and/ or installed in accordance with the user guide and/or installation instructions. This warranty is given in lieu of all other express or implied warranties and manufacturer shall in no circumstance be held liable

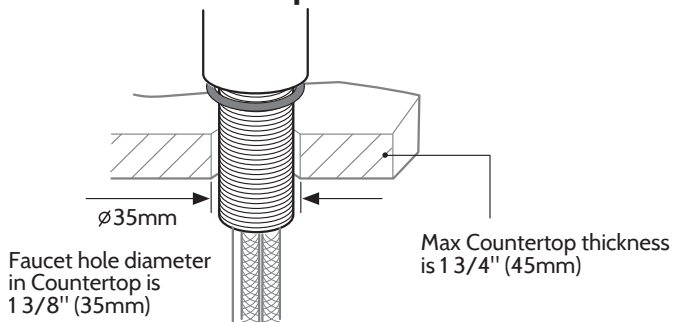
for damages consequential or otherwise or delays caused or faulty manufacturing except as excluded by law.

Applicable to all above, is that the warranties need to be approved by Seltza to ensure product was not incorrectly used, installed or claimed. False and incorrect claims will be pursued at Seltza discretion, including chargeable inspection and labour costs incurred.

Technical Specifications



Countertop hole and thickness requirements



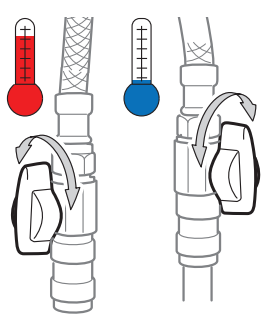
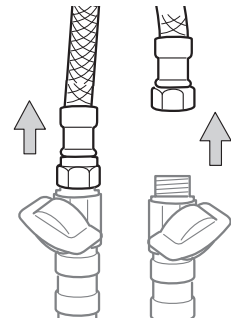
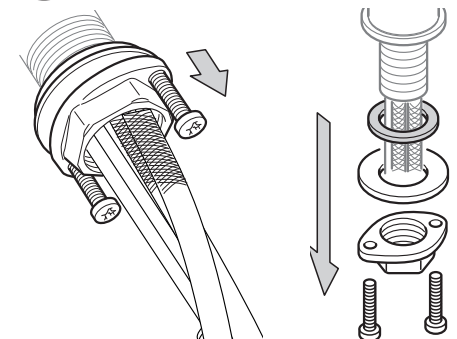
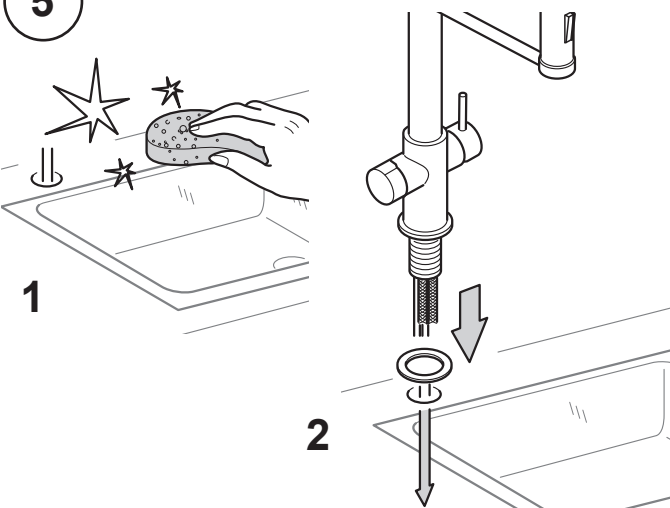
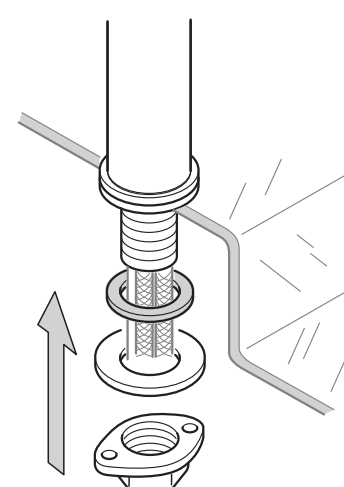
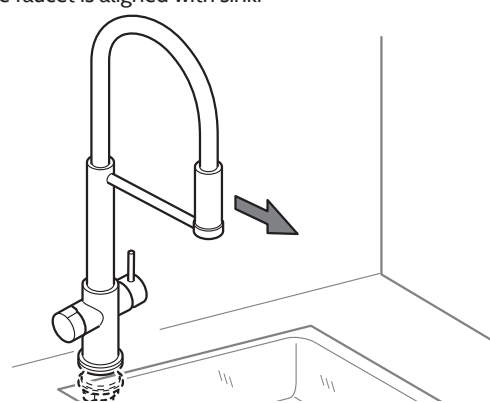
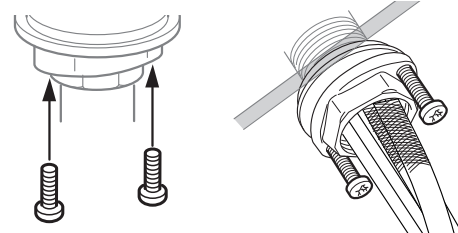
90 cm long 5/16 inch PE tubing

Blue tubing = Chilled Seltza

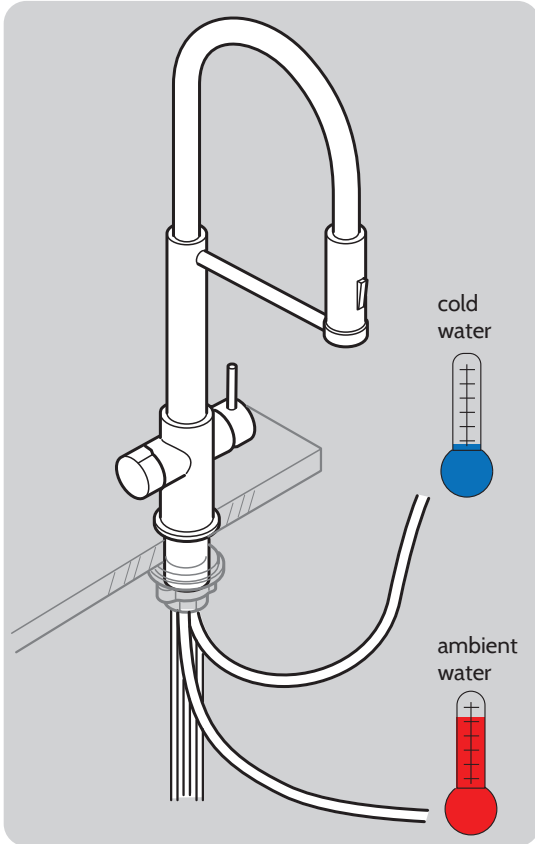
White Tubing = Chilled Still

Clear Tubing = Ambient Still

Installation

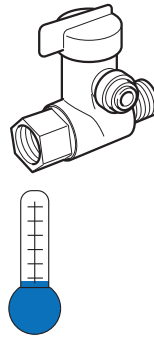
<p>1 Ensure the SeltzaHub is put into the proposed installation location 24hours before starting up. This ensures there will be no issues with refrigerant system.</p>		
<p>2 Turn off hot and cold water from existing valves under the sink.</p> 	<p>3 Disconnect existing hot and cold water lines from existing valves.</p> 	<p>4 Remove faucet nut from existing faucet. May have two screws or just be a nut.</p> 
<p>5 Install SeltzaTap faucet in countertop.</p> 	<p>6 Tighten screw faucet nut till finger tight.</p> 	
<p>7 Make sure faucet is aligned with sink.</p> 	<p>8 Tighten the two screws on the faucet nut to ensure faucet is tight.</p> 	

Installation



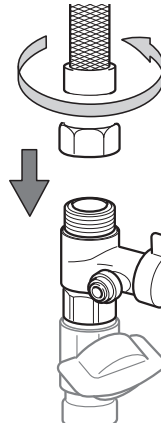
1

Install T-Stop Valve in existing cold water line.
May require an adapter.



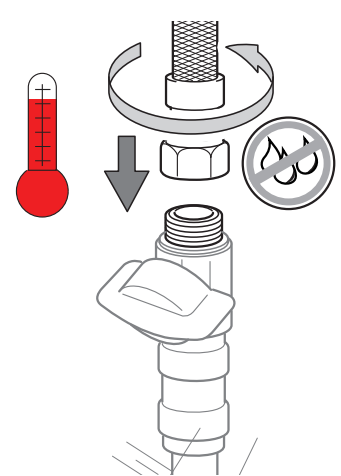
2

Connect cold water faucet to the T-Stop valve.
May require an adapter.

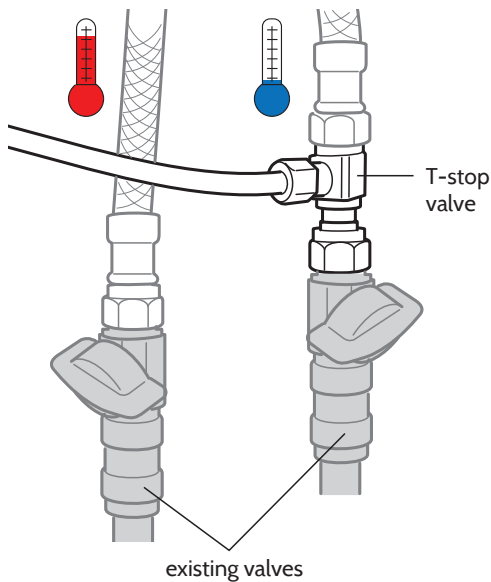


3

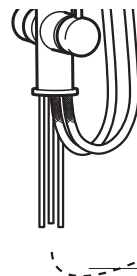
Connect hot water faucet hose to the hot water piping.
May require an adapter.



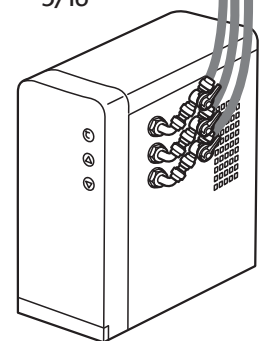
Sample image under the sink






Connect the chilled sparkling, chilled still, and ambient still 5/16" tubing from SeltzaHub to SeltzaTap.

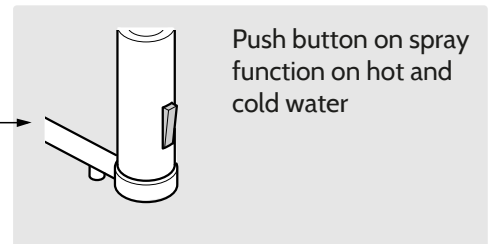
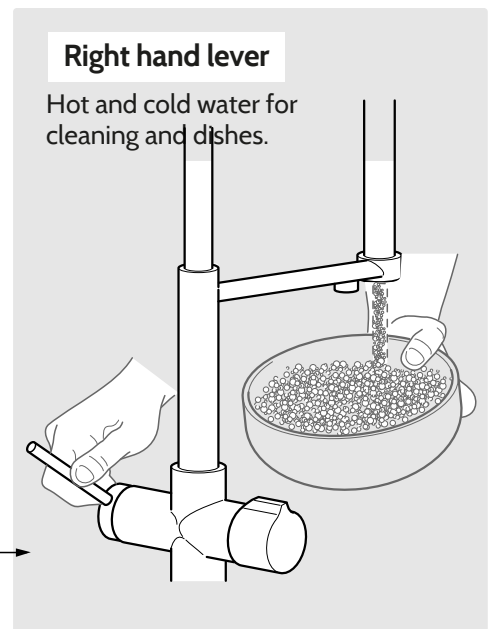
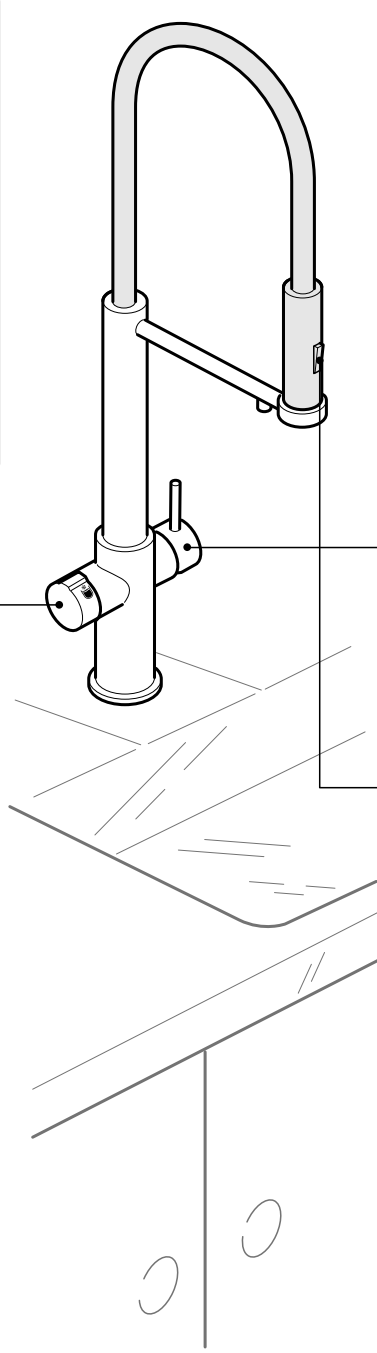
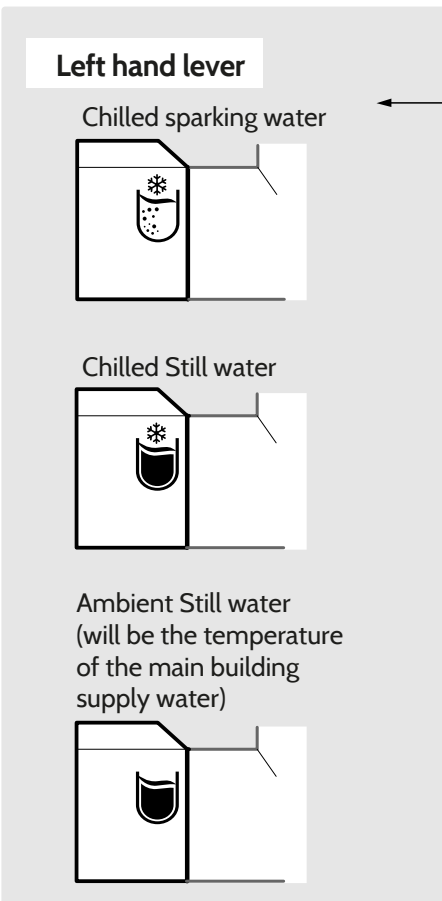
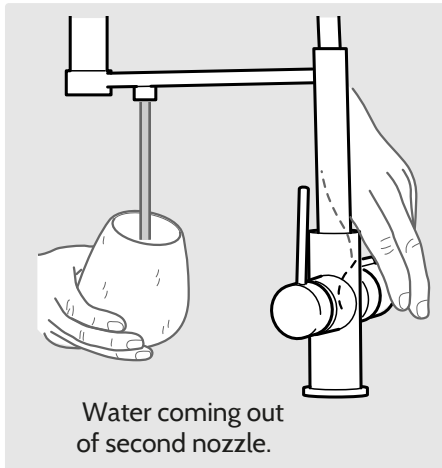


5/16"



-  Seltza water Blue
-  Chilled water White
-  Ambient water Clear

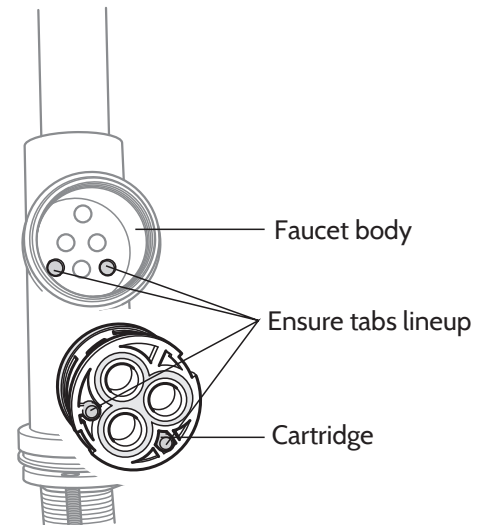
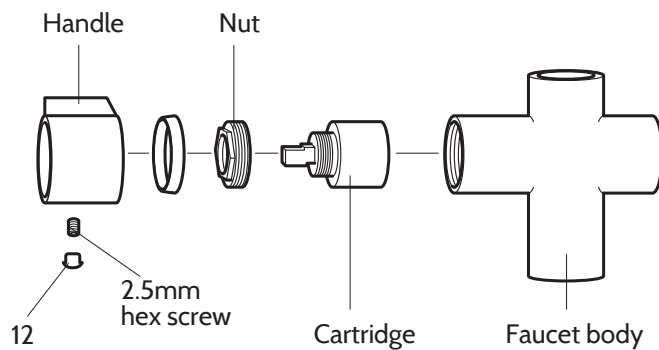
SeltzaTap Operation



SeltzaTap Maintenance Changing Cartridges

Sparkling water (Left Hand Cartridge)

1. Turn the water off to the faucet at the SeltzaHub valves.
2. Put a piece of painters tape between the faucet body and handle to have a clear line to line it up when reinstalling it.
3. Loosen set screw below. (Set screw is a 2.5mm hex screw)
4. Remove the nut with an adjustable wrench.
5. Check the gasket is in good condition (Not shown and is between the nut and cartridge below).
6. Pull out old cartridge
7. Install new cartridge ensuring the tabs lineup.

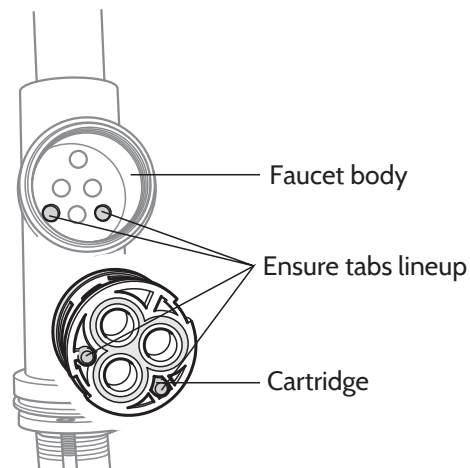
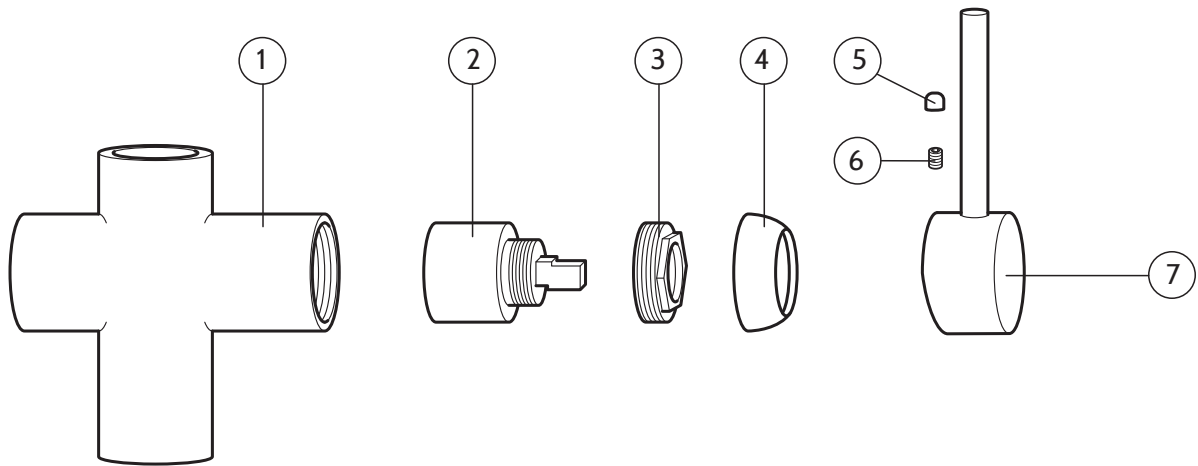
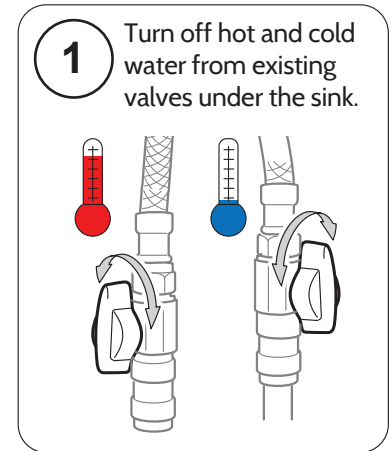


SeltzaTap Maintenance

Changing Cartridges

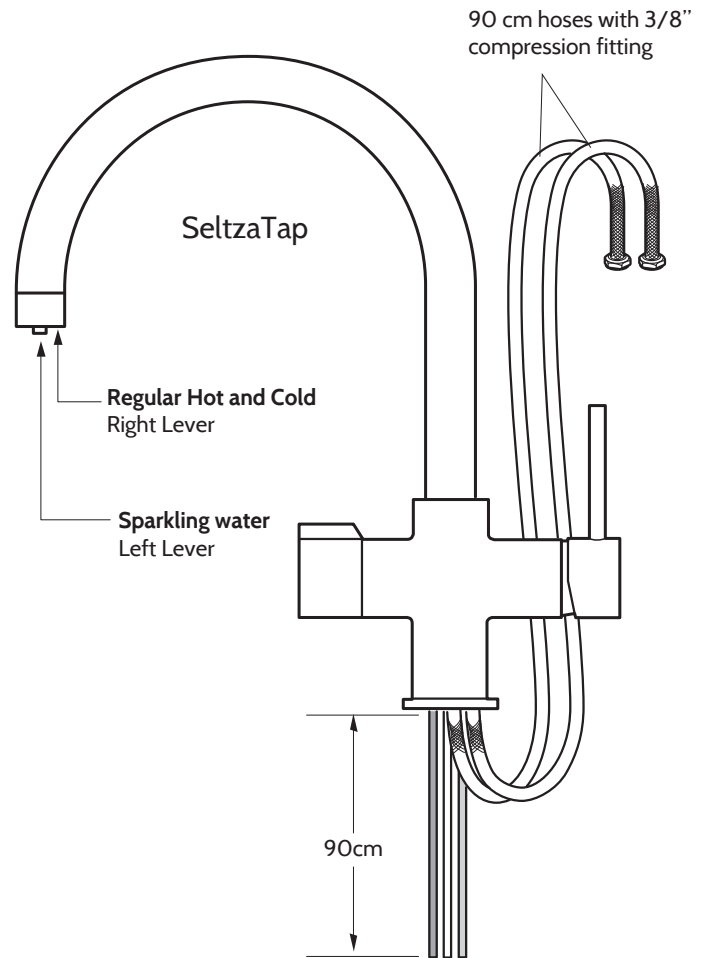
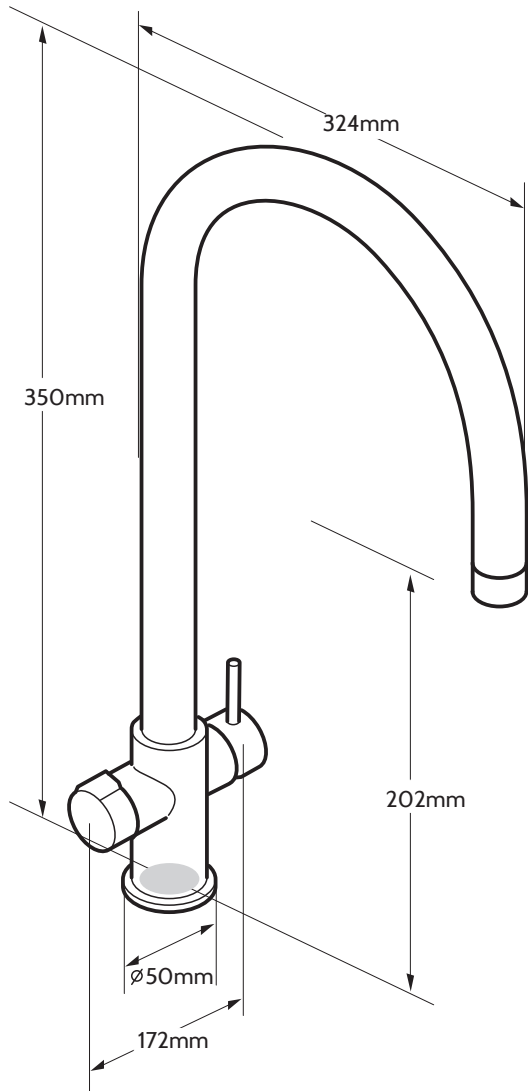
Regular water (Right Hand Cartridge)

1. Turn the water off to the faucet at the Hot and Cold valves below sink. (As shown.)
2. Loosen set screw (6) below. (Set screw is a 2.5mm hex screw)
3. Remove (4) below by screwing out with hand
4. Remove the nut with an adjustable wrench (3)
5. Check the gasket is in good condition
(Not shown and is between (3) and (8) below)
6. Pull out old cartridge
7. Install new cartridge ensuring the tabs lineup

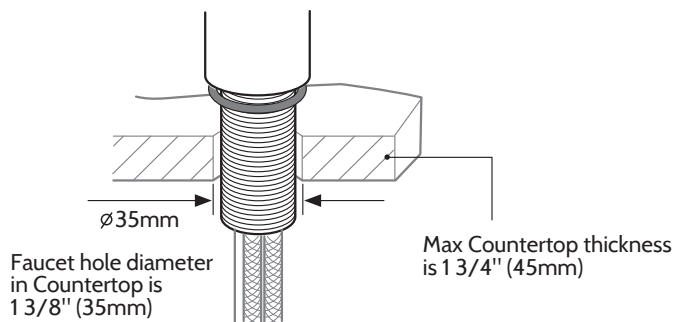


SeltzaTap Compact

Identical installation as SeltzaTap.
Only differences are in the operation and dimensions.
See below.



Countertop hole and thickness requirements



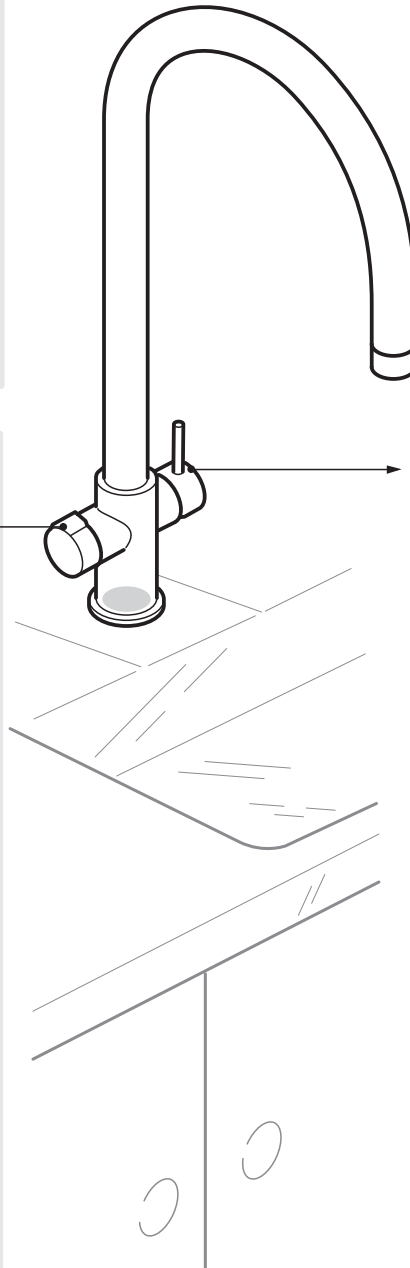
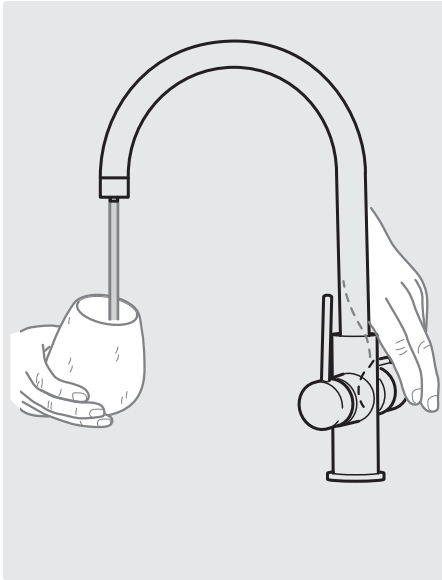
90 cm long 5/16 inch PE tubing

Blue tubing = Chilled Seltza

White Tubing = Chilled Still

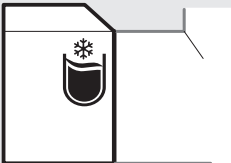
Clear Tubing = Ambient Still

SeltzaTap Compact Operation

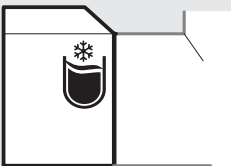


Left hand lever

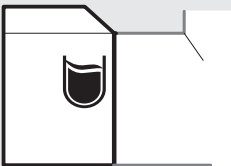
Chilled sparkling water



Chilled Still water



Ambient Still water
(will be the temperature
of the main building
supply water)



Right hand lever

Hot and cold water for
cleaning and dishes.

