

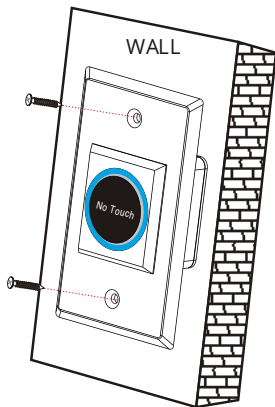
TOUCHLESS SENSOR EXIT BUTTON



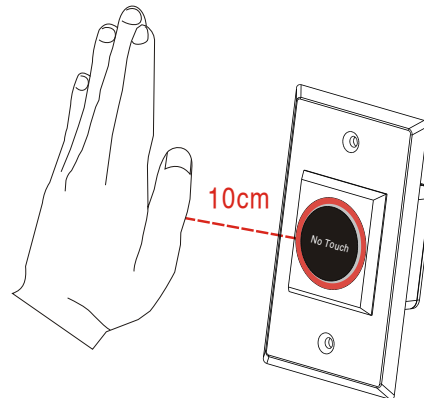
FEATURES

- No touch / Touch free Exit Sensor (Diffused Detection)
- Optical / Infrared Technology
- IP-55 Ingress Protection / SUS 304 Stainless steel Plate
- User friendly (Healthy protection):
- Free from contagious diseases spread
- Detection range: 0.1 ~ 10 cm
- Application: Gate/Door/Exit/Automation control

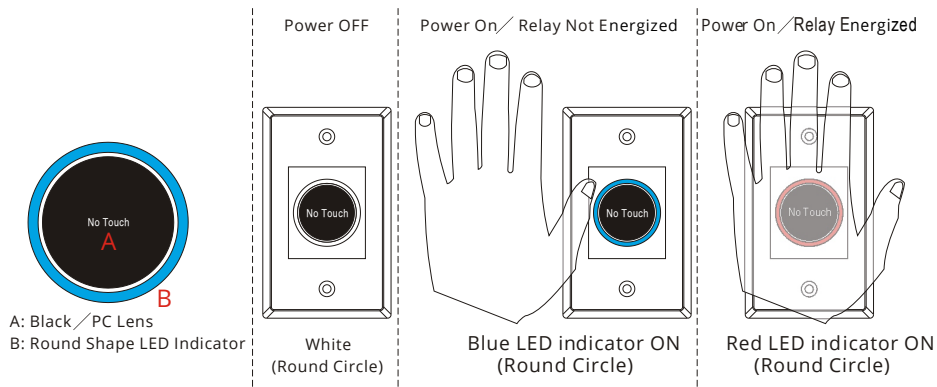
INSTALLATION



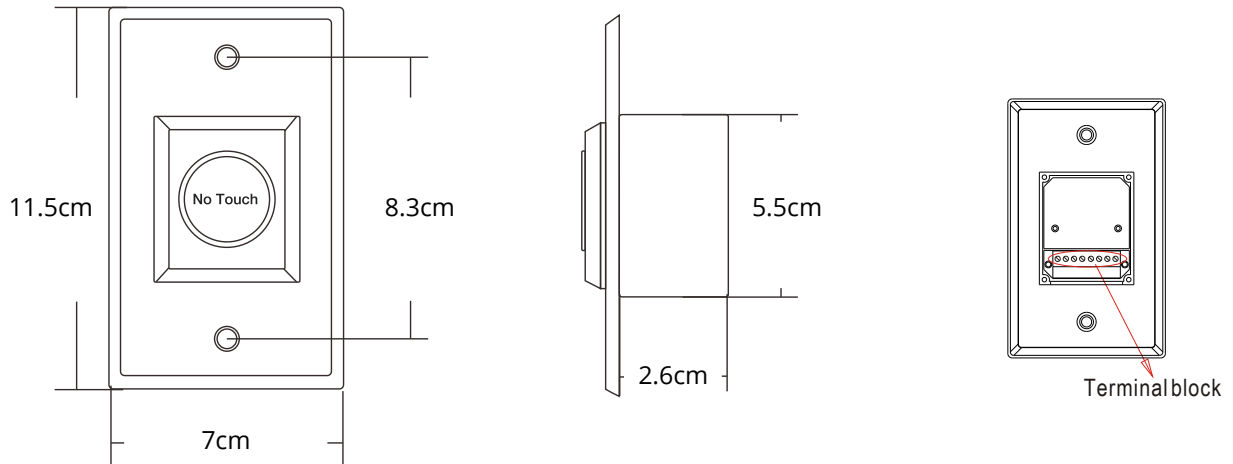
SENSING RANGE



LED Indicator



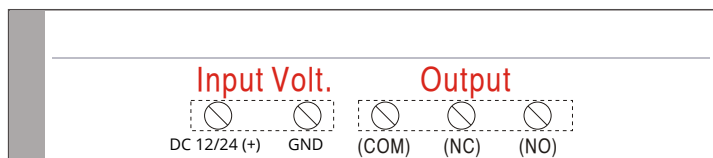
DIMENSIONS



SPECIFICATIONS

- **Dimensions:** 11.5L * 7W * 3H (cm)
- **Contact Rating:** 12-24V,3A
- **Output:** NO/NC/COM
- **Power:** 12VDC & 24VDC
- **Panel:** .07 cm Thick 304 Stainless Steel
- **Operating temp:** -20°C~+55°C(14-131F)
- **Suitable Humidity:** 0-95% (relative humidity)
- **LED Indicator:** Blue LED indicator (Standby)
Green LED indicator (Sensation)
- **Weight:** 110 grams

WIRING



Red	:	+12~24V DC
Black	:	GND
Yellow	:	NO
White	:	COM
Green	:	NC