



# iGAZERSR66HD Photo Eyes



## OPERATING AND INSTALLATION INSTRUCTIONS

### DESCRIPTION:

The infrared barrier consists of a transmitter and a receiver which are stored in a sealed aluminium enclosure. The lens is horizontally adjustable to 90°.

The iGAZERSR66HD photo eye features IP66 (NEMA 4) protection.

### APPLICATIONS:

The infrared barrier system is suitable for the protection of automatic opening systems. It can be used for security or as a safety device. Thanks to its sturdy enclosure, it is ideal for industrial use.

### MODELS:

iGAZERSR66HD Max range 65 ft for indoor installations 50 ft for outdoor installations



### TECHNICAL DATA:

Emission:	infrared with GA AS diode
Wavelength :	950 nM
Continuous modulation:	1.33 KHz
Power requirements:	12/24 VAC/VDC (depending on jumper insertion)
Absorptions:	110 mA to 24 VAC (tx+rx)
Operating temperature:	14°F to 140°F
Contact:	NA and NC with double relay in series
Max relay contact power:	1A to 24VAC (resistive load)
Led transmitter:	Power signal
Led receiver:	Signal for alignment with transmitter
Horizontal adjustment:	Through a rotation support with screw block

### PACKAGING:

The package includes 1 Transmitter in a metal container and 1 Receiver in a metal container.

### INSTALLATION:

The transmitter and the receiver must be attached on to the same geometric axis at the same height from the ground. When installing multiple units, keep in mind that the two receivers positioned on the same side can receive the beam from the same transmitter, mounted on the opposite side. To avoid this from happening, it is important to find the proper distance between the transmitters and receivers, while remembering that the infrared beam has an opening of 15° at 3-1/4 ft.

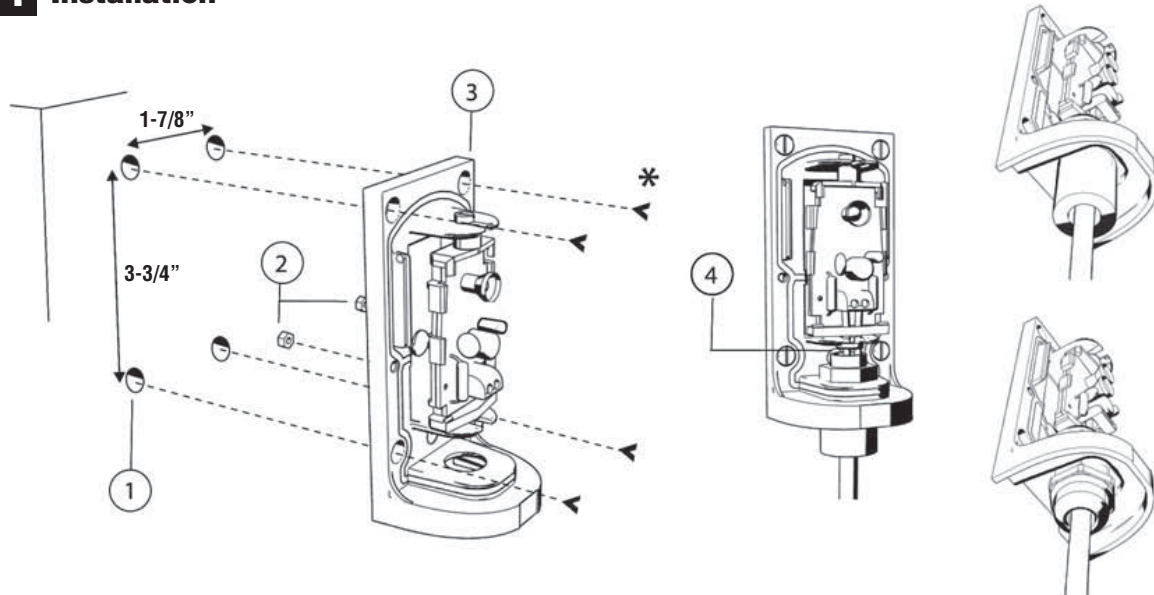
### INSTALLATION PROCEDURE:

- The infrared barrier can be installed on any type of level structure and flat surface
- After separating the cover from the support base and removing the electronic circuit to avoid damaging it, attach the base to the wall
- Run the cables through using the special holes being sure to insert the cable glands for a proper hold
- Proceed with making the connections as shown in the attached figure
- Turn on the projector and the receiver and centre them; their alignment will be confirmed when the led on the receiver turns on
- Attach the cover onto the base, being sure that the hexagon socket head screws are firmly fixed so that the seals around are perimeter are under pressure.

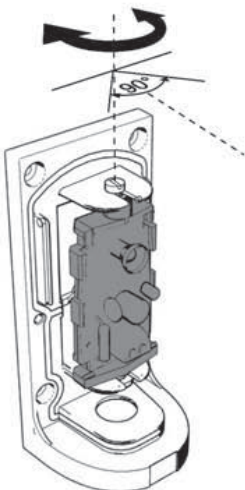
This equipment must be used and installed in full compliance with the manufacturer's instructions and current safety standards. The manufacturer cannot be held liable for eventual damages that may result from improper or unreasonable use.

**Transmitter Solutions declares that the product is in conformity with EN12453 - EN 954-1**

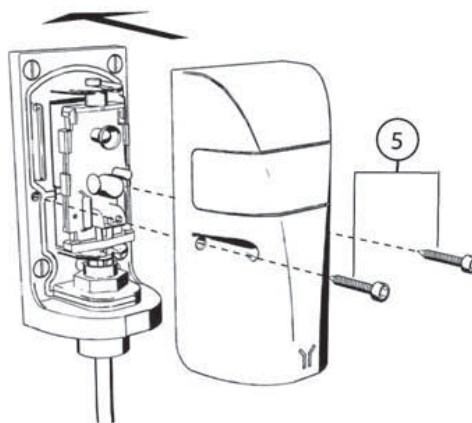
# 1 Installation



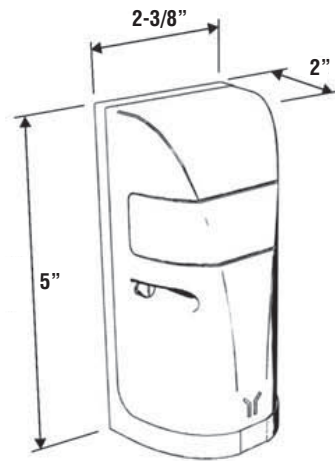
# 2 Orientation



# 3 Closing the Photo Eye



# 4 Dimensions



# 5 Connections

