

DOL1000-MF Keypad

USER MANUAL

INSTRUCTIONAL



VIDEO

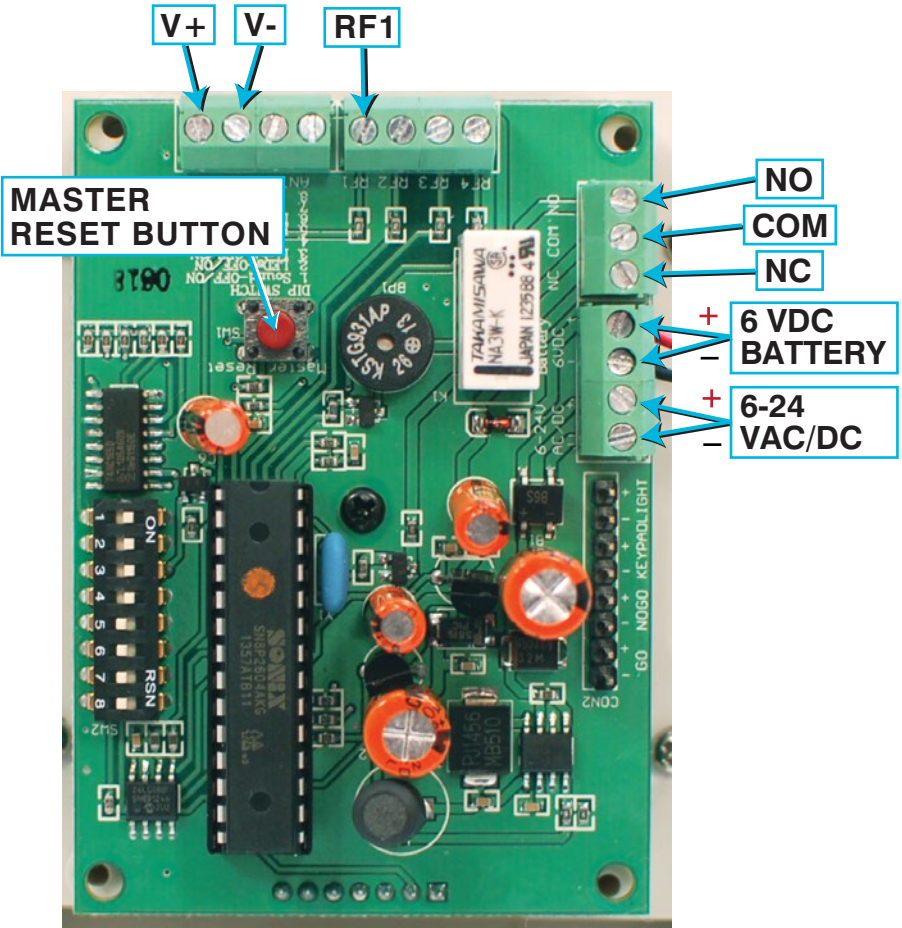


v.4.12.17

- 1] Terminal Guide
- 2] Module Installation
- 3] Programming Guide
- 4] Advanced Features



1 Terminal Guide



- **V+/V-**

These terminals will supply power to the transmitter.

- **RF1**

Channel 1 terminal

- **NO (Normally open)**

Use N.O. for equipment that requires a temporary surge of electricity to activate. Example, Electric door locks, automated gates, push plates, etc.

- **COM**

Common ground

- **NC (Normally closed)**

Use N.C. for equipment that requires a constant flow of electricity to function properly. Example, Magnetic locks, receivers, etc.

- **BATTERY 6VDC**

If deciding to power the DOL1000-MF with a battery, then connect the battery to these terminals.

- **6-24VAC/DC**

If deciding to hardwire the DOL1000-MF directly to a power source, use these terminals.

- **Master Reset Button**

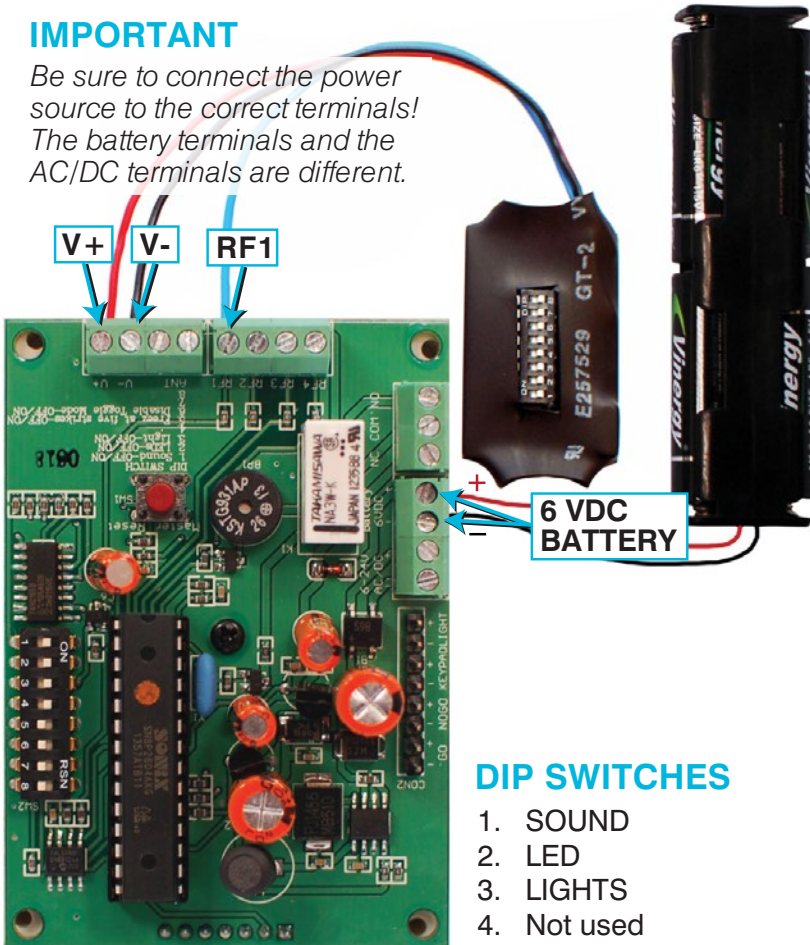
Holding this button down for 5 seconds reconnecting to its power source will make the keypad beep 3 times. This will indicate that the Master Code has been reset to 1234.

2 Module Installation

OPTION 1: Installing a Dip Switch Module

IMPORTANT

Be sure to connect the power source to the correct terminals!
The battery terminals and the AC/DC terminals are different.



6. WIRELESS MODE

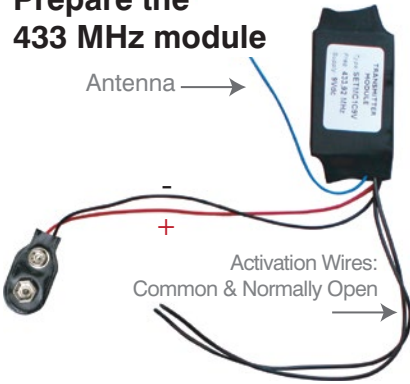
- a. Switching this dip switch to off will enable the toggle gate feature and switching to the on position will disable the toggle gate feature. Disabling this feature can potentially save battery power in the case that the toggle gate feature has been accidentally activated. Refer to the programming chart for more details with the toggle gate feature.

7. Not used
8. Not used

OPTION 2: Installing a 433MHz Module

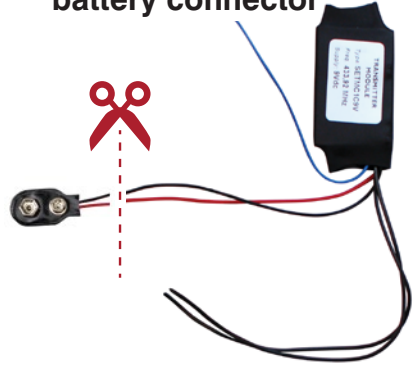
STEP 1:

Prepare the
433 MHz module

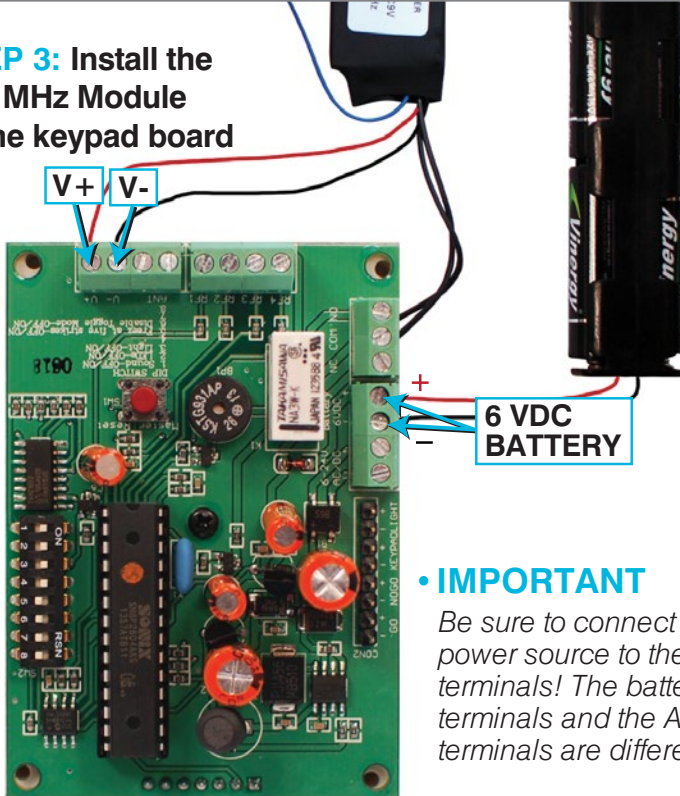


STEP 2:

Remove (cut) the
battery connector



STEP 3: Install the
433 MHz Module
to the keypad board



• IMPORTANT

Be sure to connect the power source to the correct terminals! The battery terminals and the AC/DC terminals are different.

Any channel can be assigned for devices that connect to normally open/normally closed.

3

Programming Guide

NOTE: Default Master Code:

1 Add Access Codes

Channel

New Access Code

Example:

STEP 1: Press 1 2 3 4

STEP 2: Press 1 #

STEP 3: Enter access code _____

STEP 4: Press 1 # (multiple beeps confirm)

STEP 5: Press * *

STEP 6: Test new access code. _____ (Green light will flash 6 times confirming that the new access code has been accepted.)

STEP 7: Install the module.

STEP 8: Proceed to program the keypad to the receiver.

Use Channel 1 if unsure. The different channels are dependent on the RF terminal used. Any channel can be assigned for devices that connect to normally open/normally closed.

2 Remove Access Codes

Access Code to Delete

3 Set Relay Output Time

Seconds: 0-60

4 Change Master Code

New Master Code

5 Clear All Codes

NOTE: This will clear all data **except** the Master Code.

4

Advanced Features

Add Guest Code



The Guest Code is a one-time use access code. Once used, the number will be cleared from memory. 100 Guest Codes are available.

Add Access Toggle Code



NOTE: TOGGLE MODE ONLY FOR USE WHEN KEYPAD IS HARD WIRED.

Entering Access Toggle Code will toggle the keypad to continuously activate. Entering the code again will toggle the keypad off. Dip switch #6 on the circuit board needs to be in the off position in order for this mode to work.

Resetting the Keypad and Master Code

Locate the red **Master Reset Button** on the circuit board.

1. Remove the battery or eliminate the power source to the keypad. Wait 30 seconds for the keypad to completely power off.
2. Press and hold the **Master Reset Button**.
3. While holding the **Button**, reconnect the battery or power source to the keypad.
4. Continue to hold to **Button** until the keypad beeps 3 times. This indicates that the Master Code has been reset to **1234**.

Specifications

IP Rating: IP64

Temperature Rating: -40C to 70C / -40F to 158F

Size: 7 1/2 in. x 4 5/8 in. x 3 5/8 in. • Weight: 1 3/4 lbs.

Housing: ABS • Face Plate Material: ABS

Operating Voltage: 6-24 AC/DC

Output relays: 1A

TRANSMITTER SOLUTIONS WARRANTY

The warranty period of Transmitter Solutions keypad is twenty-four (24) months. This warranty shall begin on the date the keypad is manufactured. During the warranty period, the product will be repaired or replaced (at the sole discretion of Transmitter Solutions) if the product does not operate correctly due to a defective component. This warranty does not extend to (a) the keypad case, which can be damaged by conditions outside the control of Transmitter Solutions, or (b) battery life of the keypad. This warranty is further limited by the following disclaimer of warranty and liability:

EXCEPT AS SET FORTH ABOVE, TRANSMITTER SOLUTIONS MAKES NO WARRANTIES REGARDING THE GOODS, EXPRESS OR IMPLIED, INCLUDING WARRANTY OF MERCHANTABILITY OR WARRANTY OF FITNESS FOR A PARTICULAR PURPOSE. BUYER MAKES NO RELIANCE ON ANY REPRESENTATION OF TRANSMITTER SOLUTIONS, EXPRESS OR IMPLIED, WITH REGARD TO THE GOODS AND ACCEPTS THEM "AS-IS/WHERE-IS". TRANSMITTER SOLUTIONS SELLS THE GOODS TO BUYER ON CONDITION THAT TRANSMITTER SOLUTIONS WILL HAVE NO LIABILITY OF ANY KIND AS A RESULT OF THE SALE. BUYER AGREES THAT TRANSMITTER SOLUTIONS SHALL HAVE NO LIABILITY FOR DAMAGES OF ANY KIND, WHETHER DIRECT, INCIDENTAL OR CONSEQUENTIAL DAMAGES, INCLUDING INJURIES TO PERSONS OR PROPERTY, TO BUYER, ITS EMPLOYEES OR AGENTS, AS A RESULT OF THE SALE. BUYER ALSO AGREES TO HOLD TRANSMITTER SOLUTIONS HARMLESS FROM ANY CLAIMS BUYER, OR ANY THIRD PARTY, MAY HAVE AS A RESULT OF BUYER'S USE OR DISPOSAL OF THE GOODS. BUYER HAS READ THIS DISCLAIMER AND AGREES WITH ITS TERMS IN CONSIDERATION OF RECEIVING THE GOODS.



2480 South 3850 West, Suite B
Salt Lake City, UT 84120
(866) 975-0101 • (866) 975-0404 fax
www.transmittersolutions.com