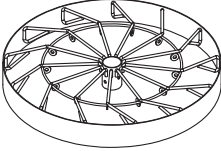
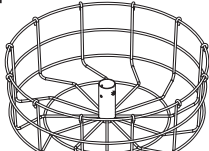
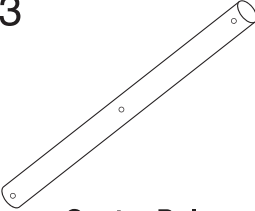
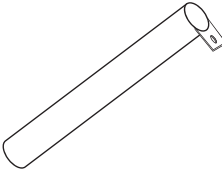
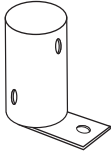
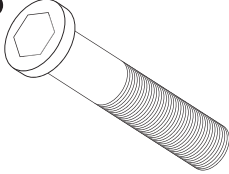

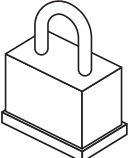
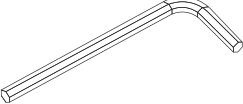
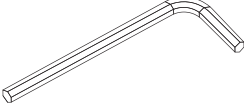


# Veteran (Permanent) Parts List

<p>1</p>  <p><b>Top</b> 1 PC</p>	<p>2</p>  <p><b>Basket</b> 1 PC</p>	<p>3</p>  <p><b>Center Pole</b> 1 PC</p>	<p>4</p>  <p><b>Ground Pole</b> 1 PC</p>	<p>5</p>  <p><b>Pole Attachment</b> 1 PC</p>
<p>6</p>  <p><b>M8 x65mm Bolt</b> 3 PCS</p>	<p>7</p>  <p><b>M8x10mm Bolt</b> 4 PCS</p>	<p>8</p>  <p><b>Lock</b> 1 PC</p>	<p>9</p>  <p><b>4mm Allen Tool</b> 1 PC</p>	<p>10</p>  <p><b>6mm Allen Tool</b> 1 PC</p>

## Veteran Assembly Instructions

Step 1: Assemble the center pole #3 to the pole attachment #5 and tighten with bolt #6. Attach bolt #7 and tighten.

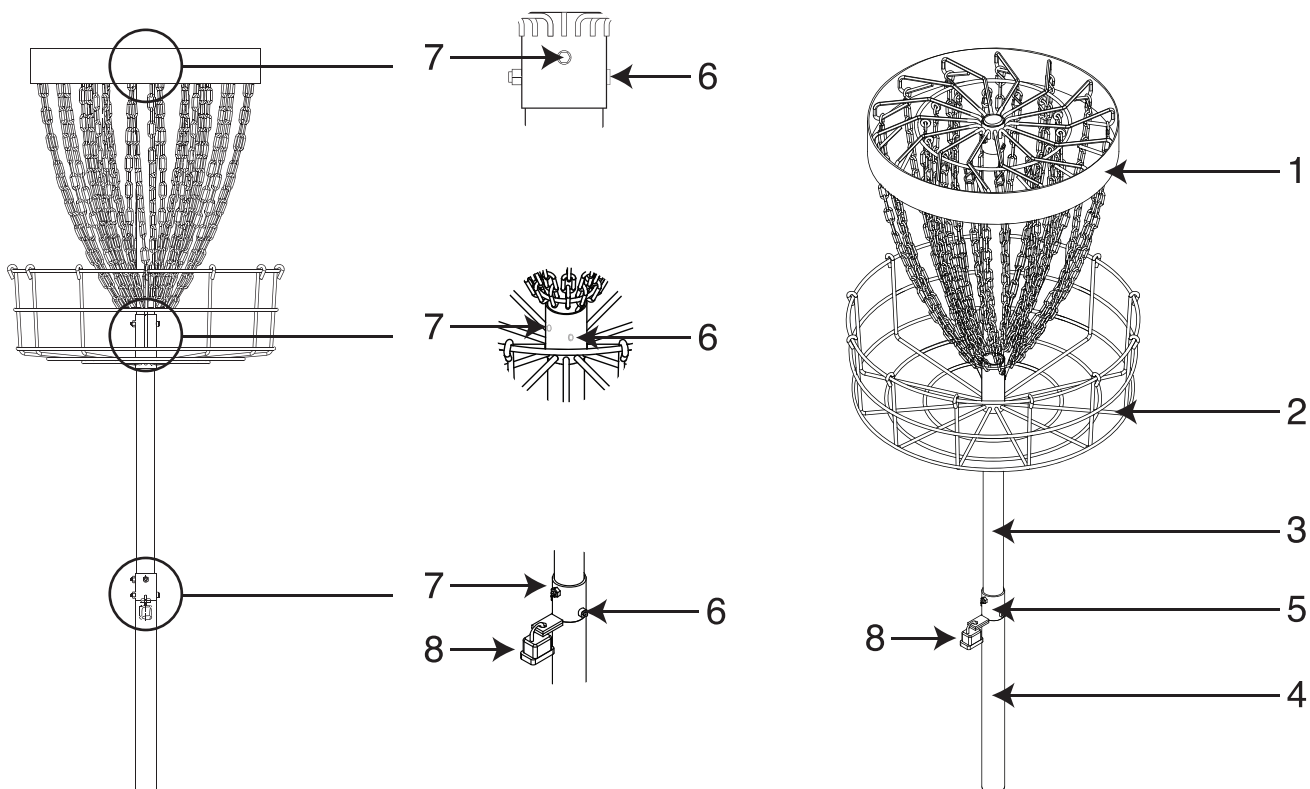
Step 2: Assemble basket #2 to center pole #3 with bolt #6. Attach bolt #7 and tighten.

Step 3: Insert the top #1 to the top of the center pole #3 and tighten with bolt #6. Attach bolt #7 and tighten.

Step 4: After installing ground pole #4, attach assembled basket to installed ground pole. Lock assembled basket to ground pole #4 with included lock.

*Now you can start to play!*

## Veteran Assembly



*For ground installation visit:*

[www.DynamicCourseDesign.com/disc-golf-basket-installation](http://www.DynamicCourseDesign.com/disc-golf-basket-installation)