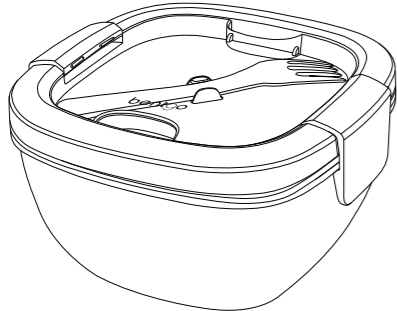


bentgo[®] salad

User's Manual



Bentgo Salad makes eating healthy on-the-go both easy and convenient. With a large bowl for fresh greens and generously portioned compartment tray for salad toppings, Bentgo Salad is the perfect size for all appetites.

Features

- Air-tight lid with locking clips seal in freshness.
- Leak-proof sauce container keeps dressing mess-free.
- Top-rack dishwasher safe.*
- Compartment tray holds salad toppings and other snacks.
- Food-grade safe – no BPA, PVC, phthalates, lead or vinyl.

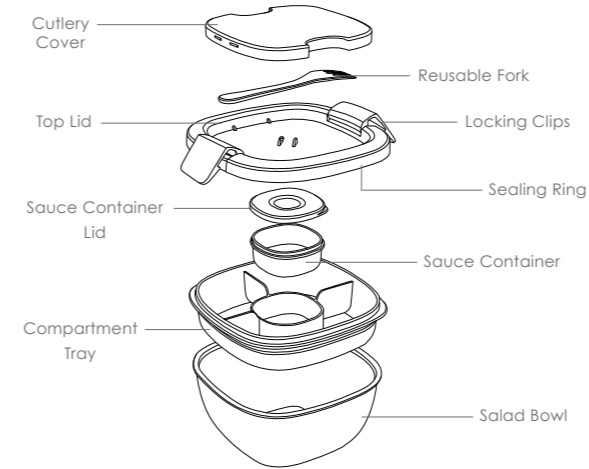
*To preserve leak-proof seal we recommend hand washing all lids.

Using Bentgo Salad

1. Lift the locking clips on the top lid to open.
2. Remove the compartment tray and sauce container. Add salad toppings to each compartment and fill sauce container with dressing. Secure the sauce container lid before inserting it back in the compartment tray.
3. Fill the salad bowl with greens.
4. Stack the compartment tray back inside the salad bowl and secure the top lid with the locking clips.
5. Bentgo Salad comes with a reusable fork that is stored in the top compartment. To store the reusable fork, insert it facing down and come in at an angle so it nests under the built-in notch. Place the cutlery cover over the fork for sanitary transport.

Stacking Bentgo Salad

We designed Bentgo Salad to stack easily and securely to keep your salad fixings fresh and in place while on-the-go. The illustration below demonstrates how to properly stack each piece.



NOTE: Bentgo Salad is built to be used with all components. The top will only lock with both the salad bowl and compartment tray in place.

Cleaning Bentgo Salad

- Wash before initial use.
- Salad bowl and compartment tray are top-shelf dishwasher safe.
- Hand wash the top lid and sauce container lid in warm soapy water to preserve their air-tight seal.

Warnings

- Only the salad bowl is microwave safe. However, do not microwave for longer than 3 minutes.
- To ensure mess-free opening and closing of Bentgo Salad, do not overfill the sauce container, salad bowl or compartment tray.

Product Warranty

Bentgo offers an industry-leading 2 Year Warranty on Bentgo Salad. For warranty requests or questions visit bentgo.com.

Product Specifications

Total Bowl Capacity	54 oz (1.6 L)
Remaining Bowl Capacity with Tray Inserted	30 oz (900 ml)
Sauce Container Capacity	2.85 oz (85 ml)
Compartment Tray Capacity	5 oz (150 ml), 5 oz (150 ml), 10 oz (300 ml)
Dimensions	7.2" w x 7" d x 4.15" h
Materials (All materials are food-grade safe and eco-friendly.)	Tritan: Cutlery Cover ABS: Top Lid and Reusable Fork Silicone: Sealing Ring PE: Sauce Container Lid PP: Compartment Tray, Salad Bowl & Sauce Container

bentgo[®]
salad

Huntington Beach, CA 92647
www.bentgo.com