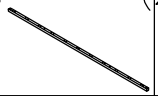

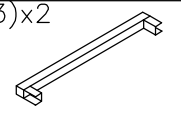

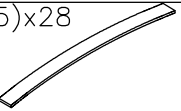
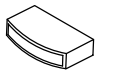
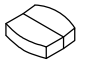




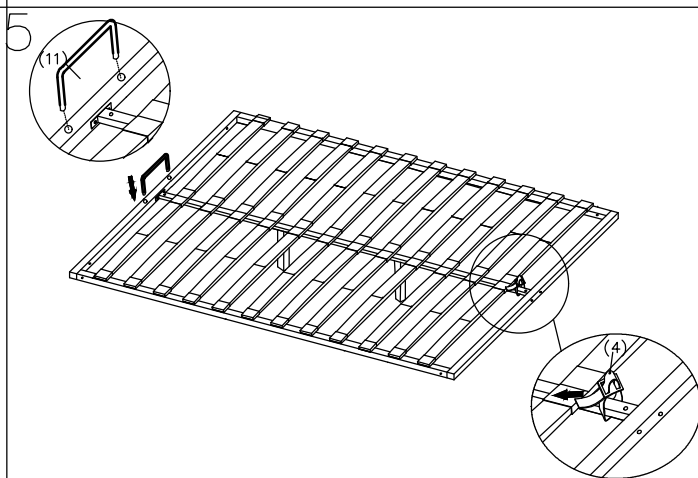
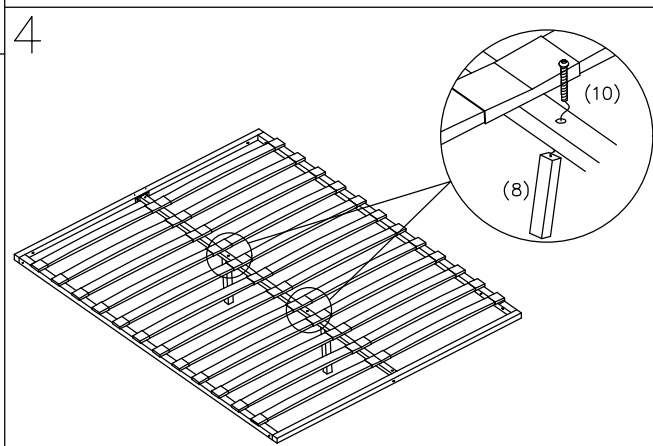
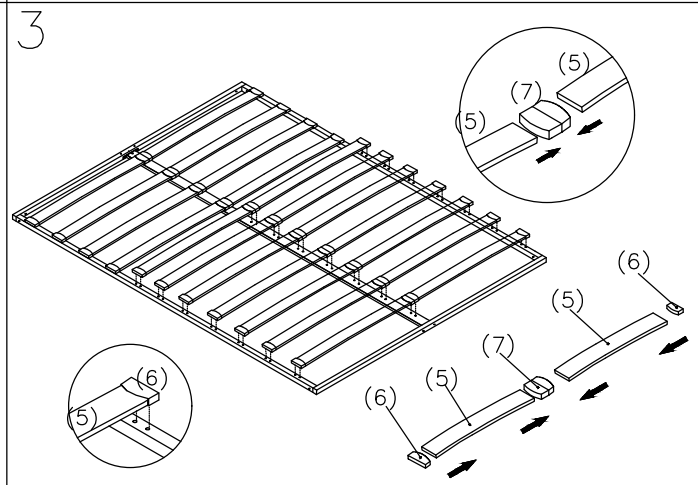
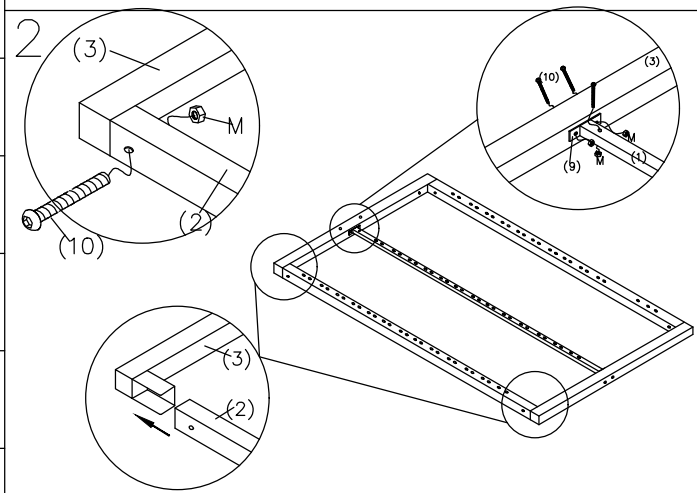
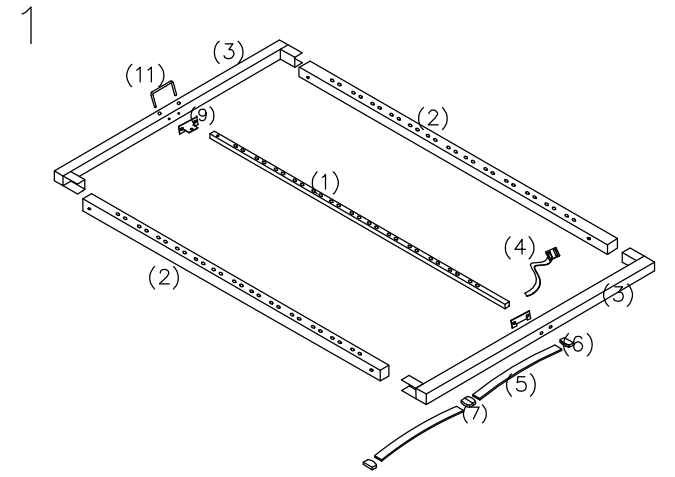
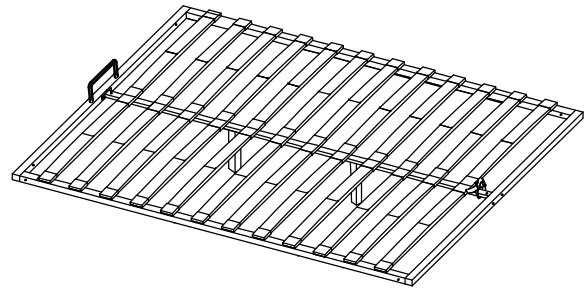
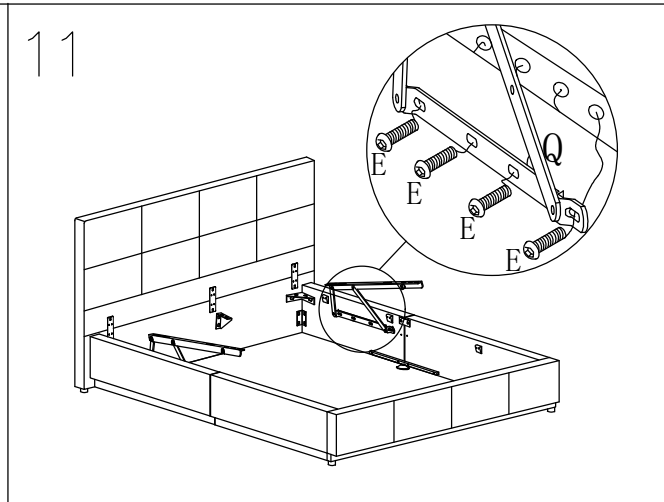
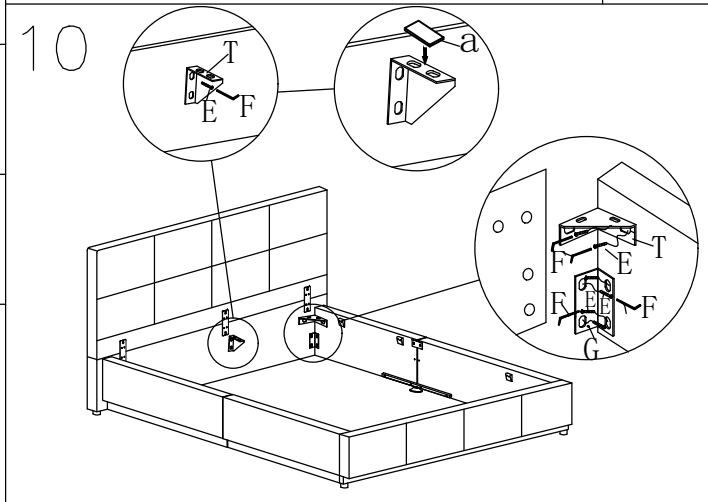
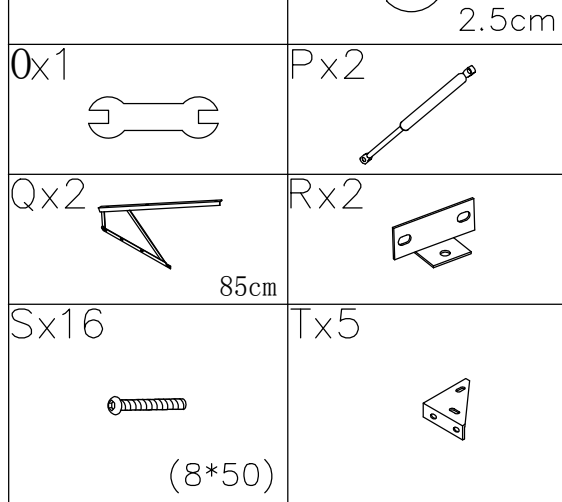
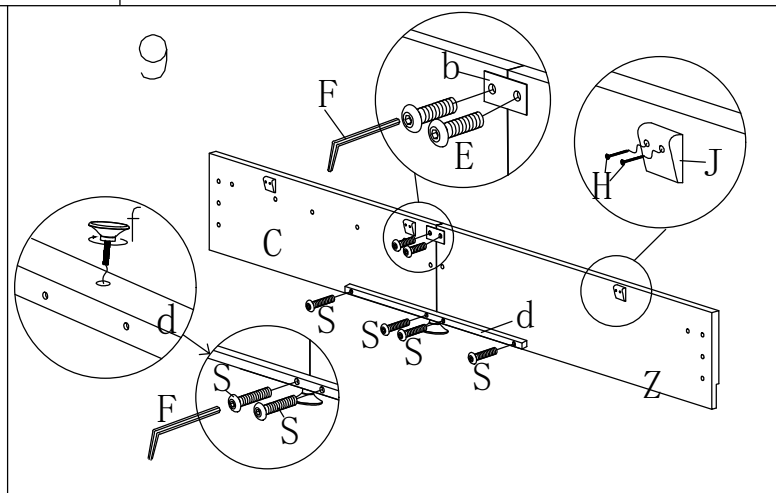
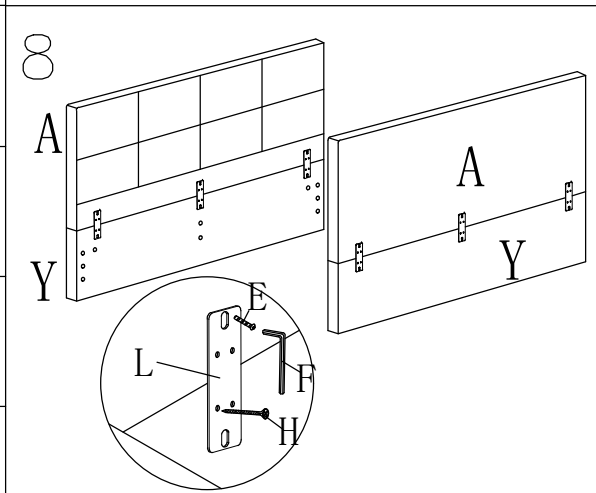
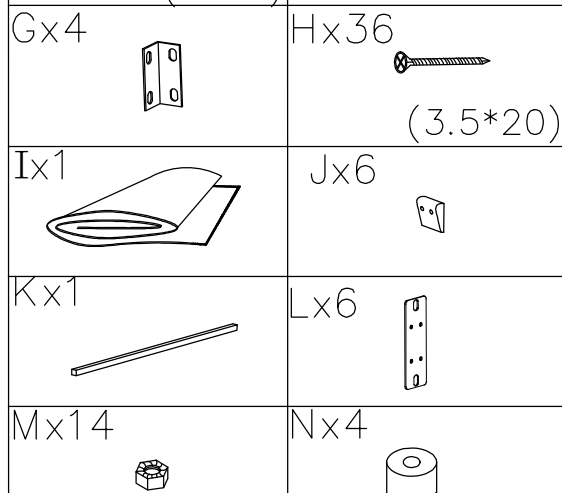
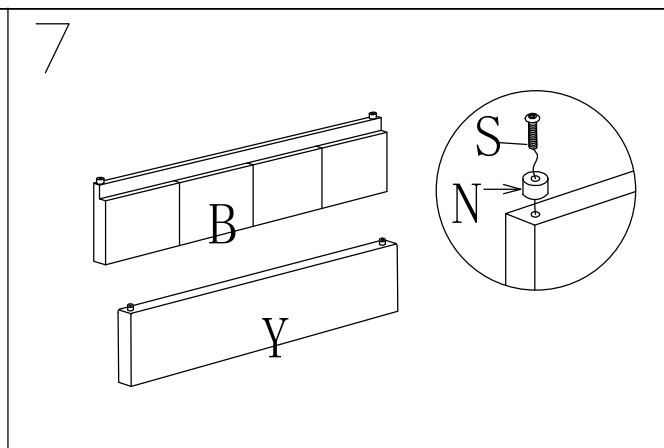
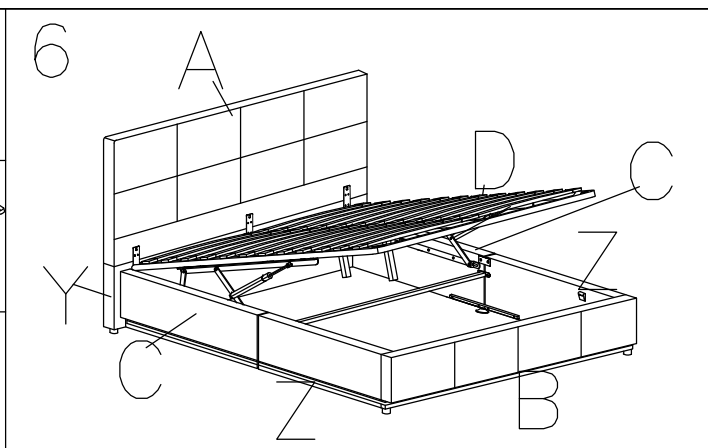
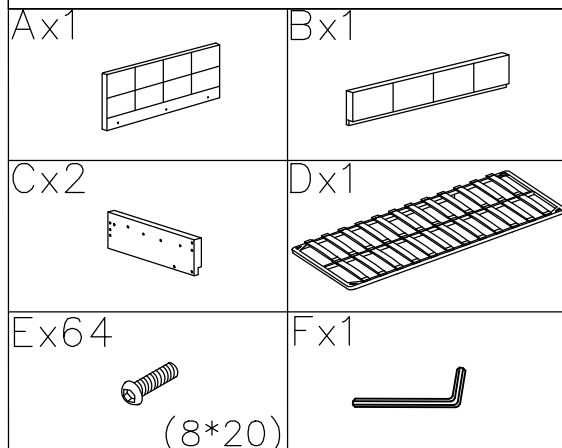
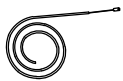


- (1)x1 
- (2)x2 
- (3)x2 
- (4)x1 
- (5)x28 
- (6)x28 
- (7)x14 
- (8)x2 
- (9)x2 
- (10)x12 (8*40) 
- (11)x1 

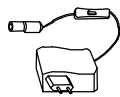




Ux1



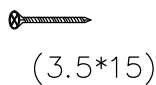
Vx1



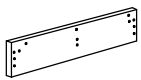
Wx16



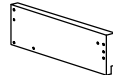
Xx16



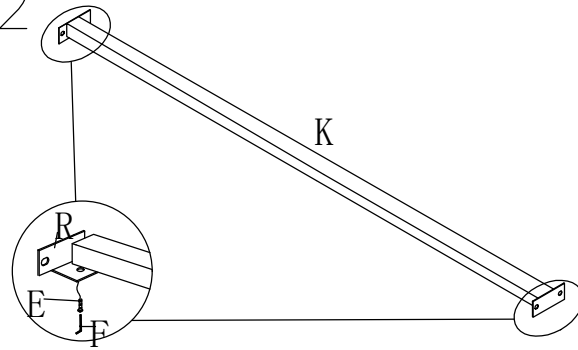
Yx1



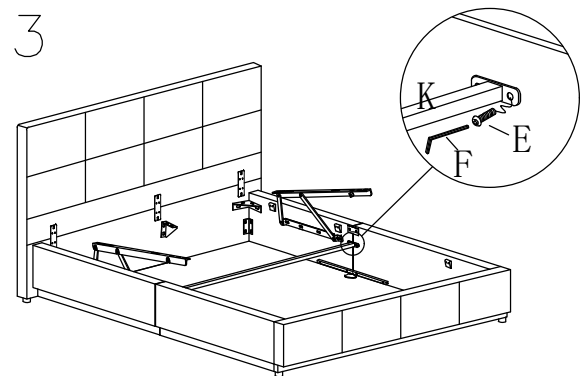
Zx2



12



13



ax1



bx2

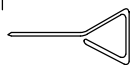


14

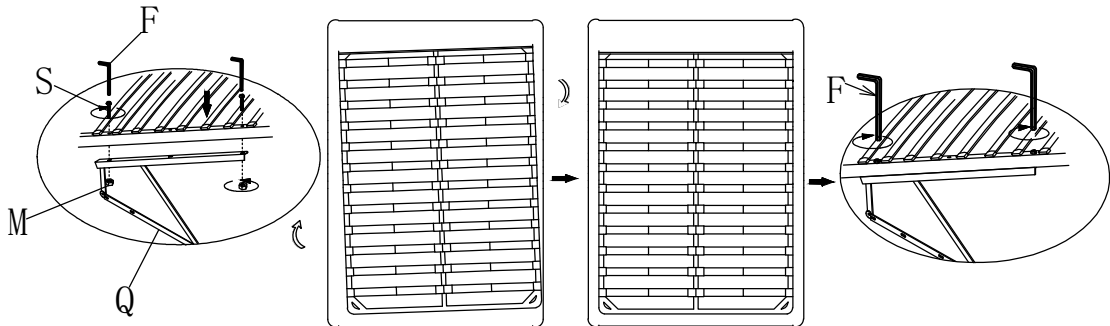
dx2



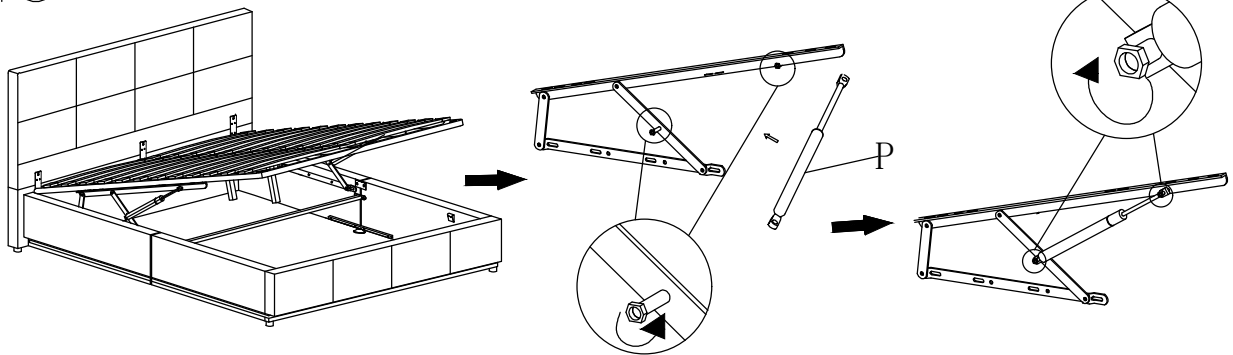
ex1



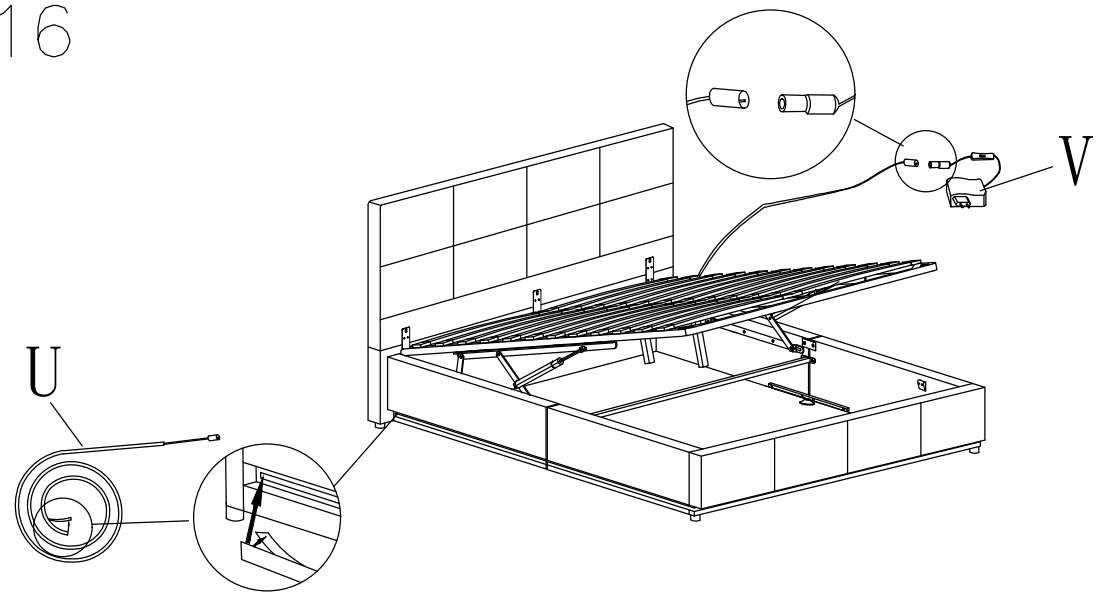
fx2



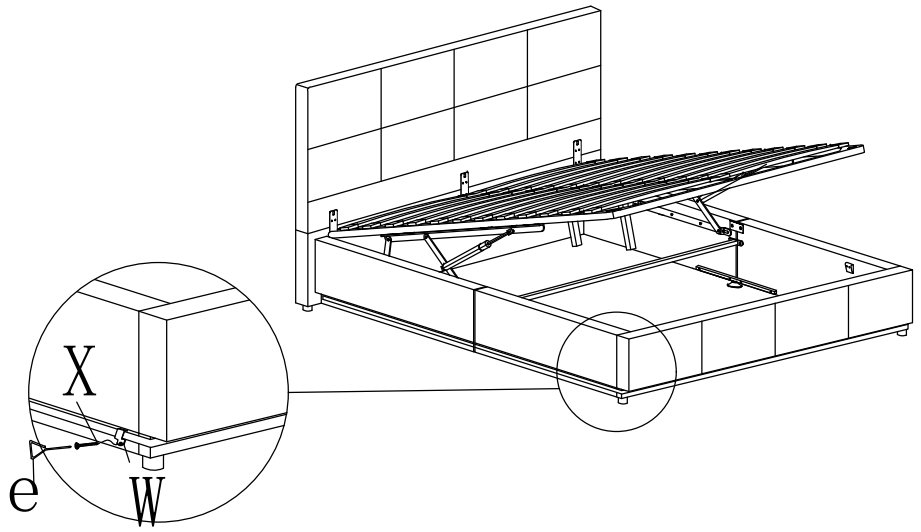
15



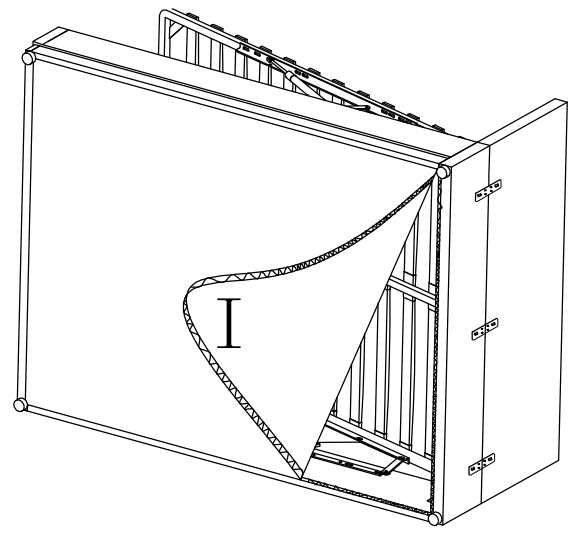
16



17



18



19

