

INSTALLATION INSTRUCTIONS

Please read the instruction before installation.
We always recommend the installation by a licensed electrician.

CAUTION:

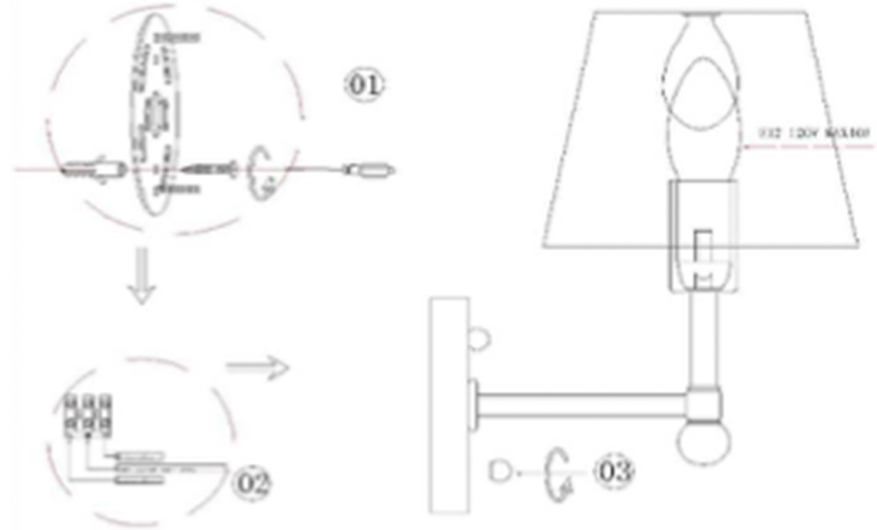
1. The input power to the light fixture is AC 120V 60Hz, Max 60 Watt.
2. Please carefully read all warning instructions attached to the light fixture and follow them exactly.
3. Please wear gloves when installing the light fixture.
4. If you need to clean the light fixture please clean it with a duster or a velvet cloth, do not use any materials that can damage or mark up the fixture.
5. Do not put in the light bulb and try to turn on the light fixture until the fixture is fully installed.
6. If you have any questions about the installation of this light fixture, please contact Ro Sham Beaux via email at customerservice@ro-sha-beaux.com.
7. Under no circumstances should the light fixture be covered or placed near any flammable materials or substances.

INSTALLATION:

1. Drill a hole through the ceiling with the hole-site of the hanging plate, insert expandable screw into the hole and fix the hanging plate onto the ceiling. (Step 1)
2. Insert the wire into connecting and screw it up (L=positive, N=Negative, Earth wire). (Step 2)
3. Fix the light to the hanging plate with copper parts. (Step 3)
4. Install the bulb and ensure the contact is fine. (Step 4)

PIPER SCONCE PIPER-SC

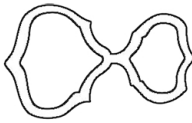
Please see images below in coordination with instructions.



Piper Sconce

RO SHAM BEAUX

FOR PRICING & CURRENT LEAD TIME, PLEASE VISIT OUR WEBSITE AT
RO-SHAM-BEAUX.COM OR EMAIL CUSTOMERSERVICE@RO-SHAM-BEAUX.COM



RO SHAM BEAUX

