

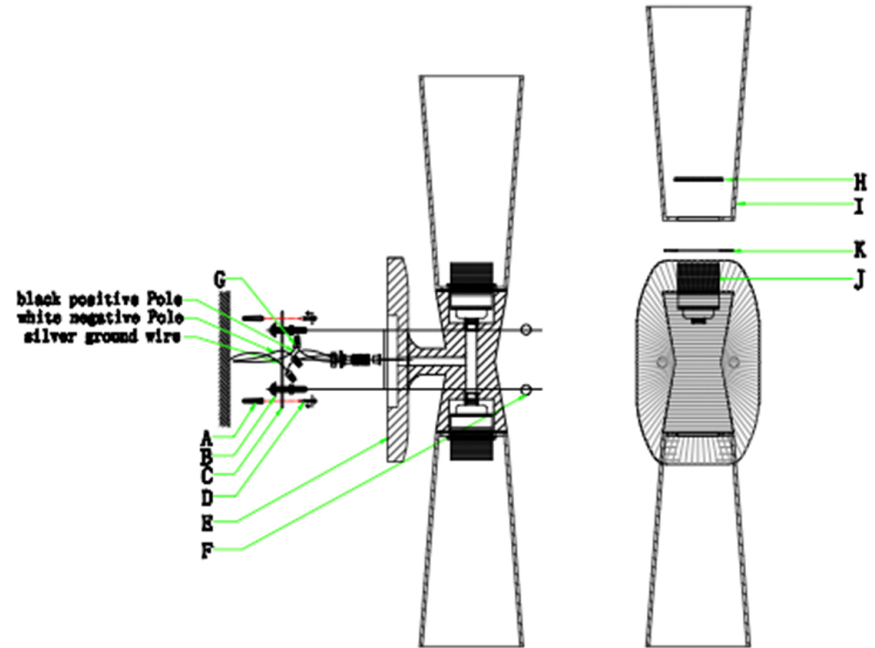
# INSTALLATION INSTRUCTIONS

Please read assembly and installation instructions before installation.  
We always recommend the installation by a licensed electrician.

1. Carefully remove all parts from the box and remove all plastic coverings.
2. Turn OFF power to the junction box where sconce will be installed.
3. Attach the mounting plate (C) to the wall by screwing screw (D) through the mounting plate to nut (A).
4. Connect the power wire (G) and ground wire.
5. Pass screw (B) assembly through wallboard (E) and tighten with decoration nut (F).
6. Remove socket ring (H) from the top of the socket (J).
7. Place glass shade (I) over the socket (J) and sit on the soft ring (K).
8. Screw socket ring (H) to socket (J) tightly to fix the glass shade.
9. Insert a 100-watt bulb (NOT INCLUDED) into the socket (J).

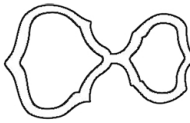
## HELEN SCONCE HELEN-SC

Please see images below in coordination with instructions.



RO SHAM BEAUX

FOR PRICING & CURRENT LEAD TIME, PLEASE VISIT OUR WEBSITE AT  
RO-SHAM-BEAUX.COM OR EMAIL CUSTOMERSERVICE@RO-SHAM-BEAUX.COM



RO SHAM BEAUX

