

electrium



APPLEBY

Installation boxes



electrium

LAKEBIDE
POINT

AD
5005

Electrium Sales Ltd. is a Siemens company,
Appleby is part of Electrium Sales Ltd.

CONTENTS

Flush Steel Boxes	2
Dry Lining Boxes	5
Technical Data & Dimensions	6



Certificate Number 18828
ISO 9001, ISO 14001, ISO 45001



2013-RTL-L4-75
2013-RTL-L4-36



Testing Laboratory No. 1460
Testing Laboratory No. 2003

As a leading manufacturer of wiring accessory products, Appleby is committed to the continual improvement of all quality assurance procedures and performance.



FLUSH STEEL BOXES

BS 4662 where applicable

		Pack	
1 GANG		Qty	List No.
16mm	1x adjustable lug, 1 fixed lug with smooth cable entry hole and knockouts	20	SB623
25mm	1x adjustable lug, 3 fixed lugs with 12 x 20mm knockouts	10	SB655
28mm	Architrave box fixed lugs, with 2 x 16mm knockouts	10	9257
35mm	1x adjustable lug, 3 fixed lugs with 12 x 20mm knockouts	10	SB615
47mm	1x adjustable lug, 3 fixed lugs with 1 x 25mm knockouts	5	SB618

Dimensions

- 16mm** 70mm x 70mm x 16mm
- 25mm** 68.3mm x 68.3mm x 25mm
- 28mm Architrave** 26.5mm x 73mm x 28mm
- 35mm** 68.3mm x 68.3mm x 35mm
- 47mm** 68.3mm x 68.3mm x 47mm

For detailed dimensions see page 7.



FLUSH STEEL BOXES

BS 4662 where applicable

		Pack	
2 GANG		Qty	List No.
16mm	1x adjustable lug, 1x fixed lug with knockouts for grommet entry	20	SB633
25mm	1x adjustable lug, 1x fixed lug with 16 x 20mm knockouts	5	SB665
25mm	Dual box, fixed lugs, for two 1 gang size accessories with 16 x 20mm knockouts	5	SB676
28mm	Architrave box fixed lugs, with 16mm knockouts	5	9258/GV
35mm	1x adjustable lug, 1x fixed lug with 16 x 20mm knockouts	5	SB625
35mm	Dual box, fixed lugs, for two 1 gang size accessories with 16 x 20mm knockouts	5	SB636
47mm	1x adjustable lug, 1x fixed lug with 4 x 20/25mm 6 x 25mm 10 x 20mm knockouts	4	SB628

Dimensions

- 16mm** 130mm x 70mm x 16mm
- 25mm** 129mm x 68.3mm x 25mm
- 28mm Architrave** 27.5mm x 133mm x 28mm
- 25mm Dual box** 154mm x 68.3mm x 25mm
- 35mm** 129mm x 68.3mm x 35mm
- 35mm Dual box** 154mm x 68.3mm x 35mm
- 47mm** 129mm x 68.3mm x 47mm

For detailed dimensions see page 7.



		Qty	List No.
3 GANG			
35mm	3 gang, fixed lugs, 18 x 20mm knockouts	5	SB646

Dimensions

- 35mm** 189mm x 68.3mm x 35mm

INSTALLATION BOXES



FLUSH STEEL BOX ACCESSORIES

	Pack Qty	List No.
Box fixing flanges for dry partition walls	100	SB603
Connectors for coupling 25mm or 35mm fixed lug boxes	100	SB604

Dimensions

SB604 17mm x 59mm x 36mm

Note: **SB604** can be used to mount boxes for use with dual mounting of Volex raised and flatplate metal accessories as well as white moulded.

STEEL BOX EXTENSIONS

	Pack Qty	List No.
16mm deep 1 gang	20	SB677
16mm deep 2 gang	10	SB678
25mm deep 1 gang	10	SB679
25mm deep 2 gang	5	SB680
35mm deep 1 gang	10	SB681
35mm deep 2 gang	5	SB682

For detailed dimensions see page 6.

SELECTION CHART	16mm	25mm	35mm	47mm	56mm
Metal Boxes					
1 Gang	SB623	SB655	SB615	SB618	-
1 Gang Architrave	-	9257	-	-	-
2 Gang	SB633	SB665	SB625	SB628	-
2 Gang Architrave	-	9258/GV	-	-	-
2 Gang Dual Box (2 x 1 Gang)	-	SB676	SB636	-	-
3 Gang	-	-	SB646	-	-
Lounge Plate Box	-	-	SB695	-	SB1590
MI Circular Terminal Box	SB641	-	-	-	-
MI Circular Through Box	SB642	-	-	-	-
Dry Lining Box					
1 Gang	-	-	SB619	SB632	-
2 Gang	-	-	SB629	SB631	-
Dual Box	-	-	SB637	-	-
1 + 2 Gang	-	-	SB638	-	-
Circular Dry Lining	-	-	SB639	-	-
Extension Boxes					
1 Gang	SB677	SB679	SB681	-	-
2 Gang	SB678	SB680	SB682	-	-



SB695

LOUNGE PLATE FLUSH BOXES

		Pack Qty	List No.
35mm	Box to fit Volex Lounge Plates VX1590PS, VX1590SS, VX1590WH 12 x 20mm knockouts	1	SB695
56mm	Box to fit Volex Lounge Plates VX1590PS, VX1590SS, VX1590WH 10 x 20mm knockouts	1	SB1590

Dimensions

35mm 253mm x 194mm x 35mm

56mm 253mm x 194mm x 56mm

For detailed dimensions see page 6.



VX1590SS Fitted



SB641



SB642

BS LOOP IN AND JUNCTION BOXES

		Pack Qty	List No.
	16mm deep x 50.8 dia terminal pattern circular junction box	20	SB641
	16mm deep x 50.8 dia through pattern circular junction box	20	SB642

DRY LINING BOXES



DRY LINING BOXES

		Pack	
1 GANG		Qty	List No.
35mm	Adjustable lugs	10	SB619
47mm	Adjustable lugs	4	SB632

Dimensions

35mm 83mm x 83mm x 36mm
47mm 83mm x 83mm x 48mm
Cut-out dimensions 73mm x 73mm

		Pack	
2 GANG		Qty	List No.
35mm	Adjustable lugs	5	SB629
35mm	Dual box, for two 1 gang size accessories	4	SB637
47mm	Adjustable lugs	4	SB631

Dimensions

35mm 143mm x 83mm x 36mm
Dual 168mm x 83mm x 36mm
47mm 143mm x 83mm x 48mm
Cut-out dimensions 2 Gang 133mm x 73mm
Cut-out dimensions Dual 158mm x 73mm

		Pack	
1 + 2 GANG		Qty	List No.
35mm	Dual box for a 1 gang + 2 gang accessory	4	SB638

Dimensions

236mm x 83mm x 36mm
Cut-out dimensions 218mm x 73mm

Board thicknesses from 6.35 up to 15mm.
 For detailed dimensions see page 7.

- Large flange around front prevents slipping into cavity and matches profile of accessory front plate.
- Manufactured from flame retardant thermoplastic.
- Tough yellow nylon lugs have large bearing faces for superior strength.
- 2 side knockout cable entries plus one 25mm base knockout.
- Brass earth terminal available.
- For Acoustic or Fire rated solutions please contact Technical Services.

CIRCULAR DRY LINING BOXES

		Pack	
35mm		Qty	List No.
1 Gang	2 x 20mm knockouts	10	SB639

Dimensions

80mm diameter
Cut-out dimensions 63mm diameter

Board thicknesses from 6.35 up to 15mm.
 For detailed dimensions see page 8.

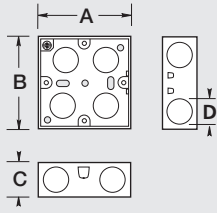
- Large flange around front prevents slipping into cavity and matches profile of accessory front plate.
- Manufactured from flame retardant thermoplastic.
- Tough yellow nylon lugs have large bearing faces for superior strength.
- 2 side knockout cable entries plus one 25mm base knockout.
- Brass earth terminal available.
- For Acoustic or Fire rated solutions please contact Technical Services.

DRY LINING ACCESSORIES

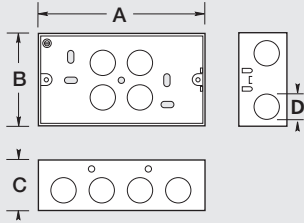
		Pack	
		Qty	List No.
Brass earth terminal		10	SB/BT
Packing piece for fitting to partitions below 6.35mm		10	SB/LX

APPROXIMATE DIMENSIONS (mm)

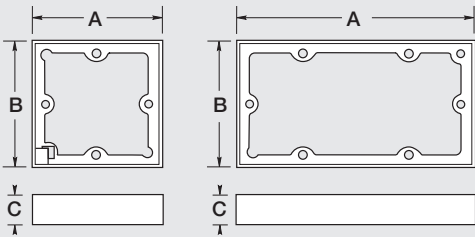
APPLEBY FLUSH STEEL BOXES



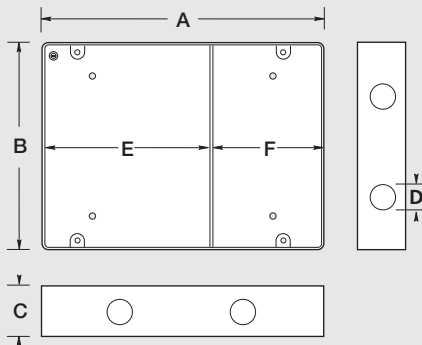
1 GANG	A	B	C	D	LIST No
	70	70	16	20	SB623
	68.3	68.3	25	20	SB655
	26.5	73	28	16	9257
	68.3	68.3	35	20	SB615
	68.3	68.3	47	25	SB618



2 GANG	A	B	C	D	LIST No
	130	70	16	20	SB633
	129	68.3	25	20	SB665
	154	68.3	25	20	SB676
	129	68.3	35	20	SB625
	154	68.3	35	20	SB636
	129	68.3	47	25	SB628
	27.5	133	28	16	9258/GV
	189	68.3	35	20	SB646



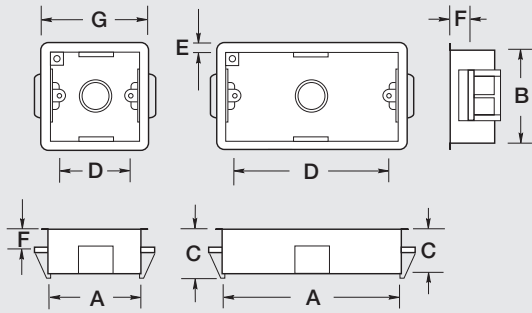
EXTENSION BOXES	A	B	C	LIST No
	70	70	16	SB677
	130	70	16	SB678
	68.3	68.3	25	SB679
	129	68.3	25	SB680
	68.3	68.3	35	SB681
	129	68.3	35	SB682



LOUNGE BOX	A	B	C	D	E	F	LIST No
	253	194	35	20	141	108	SB695
	253	194	56	20	141	108	SB1590

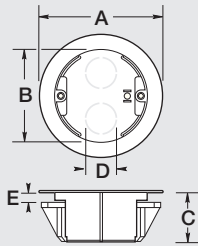
APPROXIMATE DIMENSIONS (mm)

APPLEBY DRY LINING BOXES



A	B	C	D	E	F	F	G	LIST No
					min	max		
73	73	36	60	6.7	6.35	15	83	SB619
73	73	48	60	6.7	6.35	15	83	SB632
133	73	36	130	6.7	6.35	15	143	SB629
158	73	36	130	6.7	6.35	15	168	SB637
133	73	48	155	6.7	6.35	15	143	SB631
218	73	36	206	6.7	6.35	15	228	SB638

For Acoustic or Fire rated solutions please contact Technical Services.



APPLEBY CIRCULAR DRY LINING BOXES

A	B	C	D	E	E	LIST No
				min	max	
80	57.5	36	20	7	22	SB639

NUMBER OF KNOCKOUTS

LIST No	Oval	13mm	16mm	20mm	25mm	Total
SB623	4	-	-	-	-	4
SB655	-	-	-	12	-	12
9257	-	-	2	-	-	2
SB615	-	-	-	12	-	12
SB618	-	-	-	10	2	12
SB633	7	6	-	-	-	13
SB665	-	-	-	16	-	16
SB676	-	-	-	16	-	16
9258/GV	-	-	2	2	-	4
SB625	-	-	-	16	-	16
SB636	-	-	-	16	-	16
SB628	-	-	-	16	6	22
SB646	-	-	-	18	-	18
SB695	-	-	-	12	-	12
SB1590	-	-	-	10	-	10

KNOCKOUT POSITION

LIST No	Left Side	Right Side	Down Side	Top Side	Back Side	Total
SB623	-	-	2	-	2	4
SB655	2	2	2	2	4	12
9257	-	-	-	1	1	2
SB615	2	2	2	2	4	12
SB618	2	2	2	2	4	12
SB633	1	1	5	2	4	13
SB665	2	2	4	4	4	16
SB676	2	2	4	4	4	16
9258/GV	-	-	1	1	2	4
SB625	2	2	4	4	4	16
SB636	2	2	4	4	4	16
SB628	2	2	4	4	4	16
SB646	2	2	5	5	4	18
SB695	3	3	3	3	-	12
SB1590	2	2	3	3	-	10