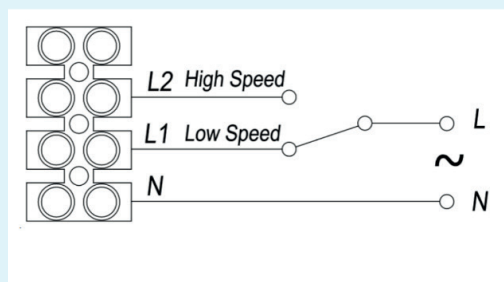
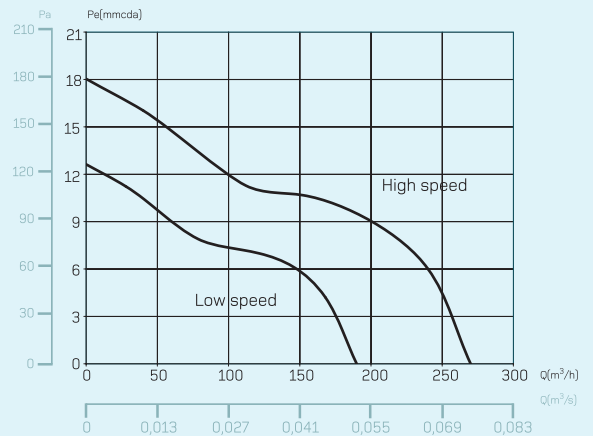
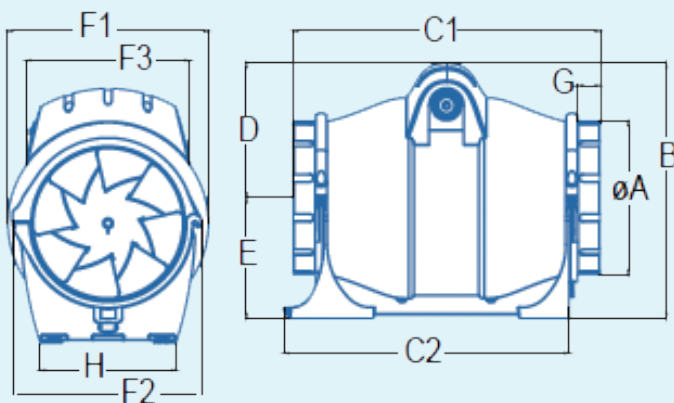


# Corvos Air

Standard - 100mm - 2 Speed



Specification	
Finishes	White
	Product Code - EVECOA100S001
Materials	Polypropylene
Weight	2.1kg
Input Power	40/18 Watts
Rated Voltage	220-240V
Fan Speed	2300/1700RPM
Maximum Air Flow	270/190 m <sup>3</sup> /h (75/53 L/s)
Certifications	UKCA
IP Rating	IP44
Compliance	100/270 SFP down to 0.53 high speed, 0.14 low speed
Back Draught	No
Minimum Sound Level	18dB at 3 meters
Made in Europe	
Warranty	3 years (24 hour replacement)
Dimensions	ØA - 98mm
	F1 - 168mm
	B - 232mm
	F2 - 180mm
	C1 - 315mm
	F3 - 155mm
C2 - 241.6mm	
G - 25mm	
D - 117mm	
H - 130mm	
E - 115mm	



Everything Ventilation®