



SMART ADJUSTABLE STUB POST™

SOLVE YOUR HEIGHT ISSUES ON SITE USING THE SMART ADJUSTABLE STUB POST™

Traditional fabricated stub columns for the Domestic housing market are great, that is until beam heights or fixing plate orientations do not work. Save costs and improve your Construction schedule by arming yourself with the adjustable stub post to solve these and many more issues on site.

SMART ADJUSTABLE STUB POSTS™ have been designed to replace traditional fabricated fixed height steel stub columns within the domestic housing market.

The Smart Adjustable Stub Post™ arms the on-site builders with solutions to enable the job to be finished then and there.

Avoid ongoing costly sitework due to changes in brick gauge, garage slab variances and purge door beam placement being out.

PRODUCT DESCRIPTION

The Smart Adjustable Stub Column™ varies from traditional fixed stub columns mainly due to the cap plate having a M30 threaded rod attachment that fits

into the shaft and enables vertical adjustment. This threaded rod enables +50mm / - 50mm of vertical adjustment.

The M30 rod is accepted by a solid 25mm thick shaft cap plate with a M30 tapped hole.

The rod is secured to the shaft via a M30 locking nut once adjusted to correct heights.

BENEFITS

- **ADJUSTABLE AND FLEXIBLE:** Vertical height adjustment, allowing on site adjustment to suit varying heights. Preventing extra site welding costs and delays to construction schedule
- **OVERALL COST SAVING:** similar price to standard fixed height fabricated stub columns whilst reducing your overall site welding cost foot print
- **IMPROVED BUILD TIME:** Not having to schedule and wait for a site welder will improve your construction schedule and therefore increase project profitability. This column system will enable your site teams to solve the height problems as they build.

› PRODUCT SPECIFICATION AND SUPPLY

If you wish to utilise this product, please contact our technical team on 02 96237363 for further product data. We suggest having your engineer review our documentation and have your engineer specify the adjustable stub within your projects to ensure that the product is used for correct and suitable purposes.

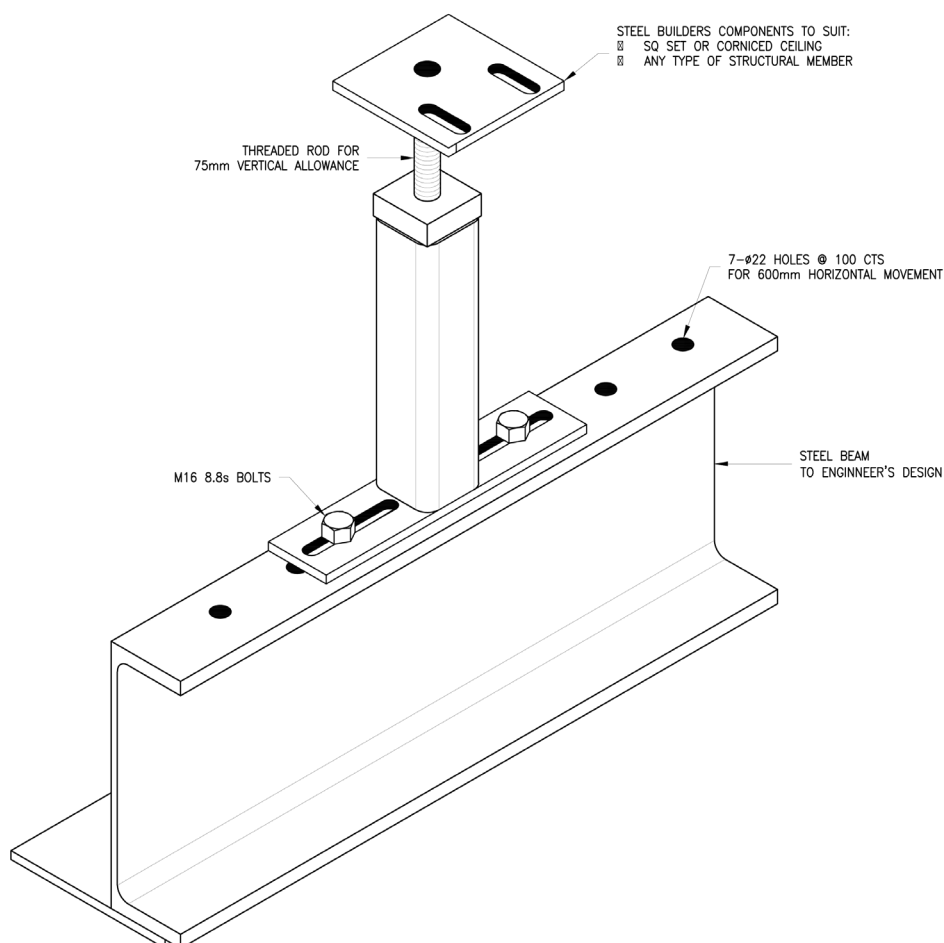
On having your engineer specify this product within your projects, Steelbuilders team of detailers will determine detailing requirements on a job-by-job basis, both the height and componentry requirements will be nominated, along with marking ID's that correspond with site marking plans for easy installation.

Our production team will assemble to the detailed drawings. Columns will arrive to site at specified length, with specified componentry.

SITE ADJUSTMENTS

You can achieve vertical height adjustment by doing M30 locking nut, winding the head in or out of the shaft to desired height, then re-fitting and tightening the locking nut. The thread is metric and therefore will provide millimetre adjustments.

› SMART ADJUSTABLE STUB POST™



FOR MORE INFORMATION PLEASE CONTACT OUR OFFICE OR VISIT OUR WEBSITE

Steel Builders Pty Ltd
18-20 Charles Street, St Marys
NSW 2760
ABN: 53 147 275 456

Ph: 02 9623 7363
Fax: 02 8415 7123
E-mail: sales@steelbuilders.com.au

WWW.STEELBUILDERS.COM.AU