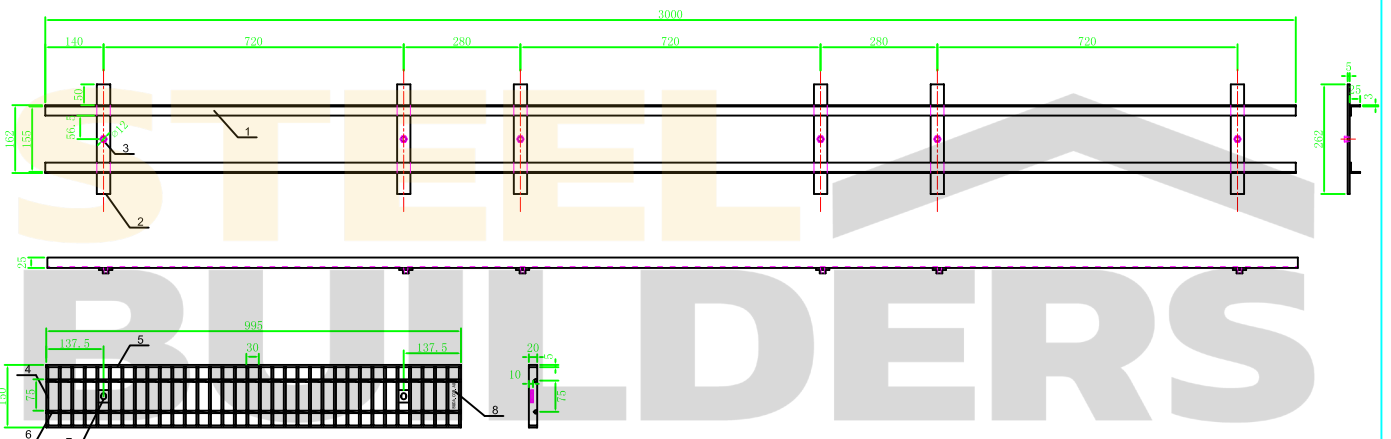


Part	No	Material	Size	QTY
Frame	1	L25*3 Angle	2000	2
	2	32*5 Flat Bar	262	4
	3	M10*30 Bolt		4
Grating	4	20*5 Flat Bar	140	68
	5	20*5 Flat Bar	995	4
	6	6*6 Cross Bar	995	4
	7	25*5 Flat Bar	30	4
	8	BUDA.COM.AU	70	2

Designer	Date	Drawing no.	T150M-2
	2018.01.23		



Drawings are for guide purposes only and may be subject to change at any time

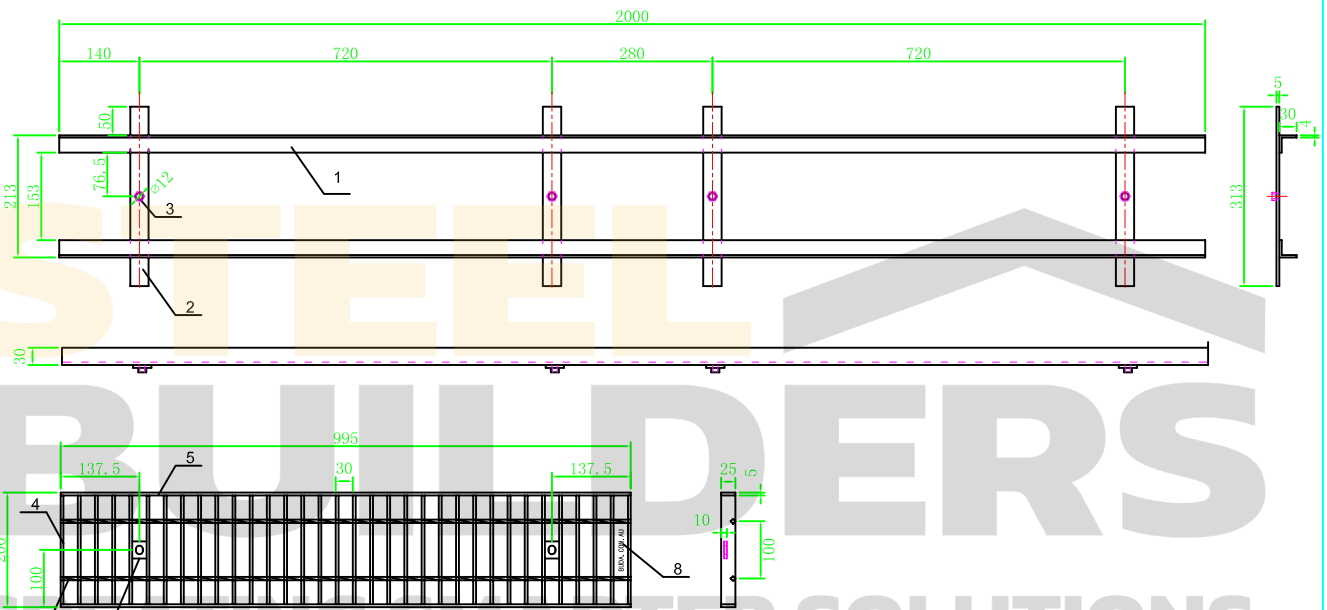


Part	No	Material	Size	QTY
Frame	1	L25*3 Angle	3000	2
	2	32*5 Flat Bar	262	6
	3	M10*30 Bolt		6
Grating	4	20*5 Flat Bar	140	102
	5	20*5 Flat Bar	995	6
	6	6*6 Cross Bar	995	6
	7	25*5 Flat Bar	30	6
	8	BUDA.COM.AU	70	3

Designer	Date	Drawing no.	T150M-3
	2018.01.23		



Drawings are for guide purposes only and may be subject to change at any time

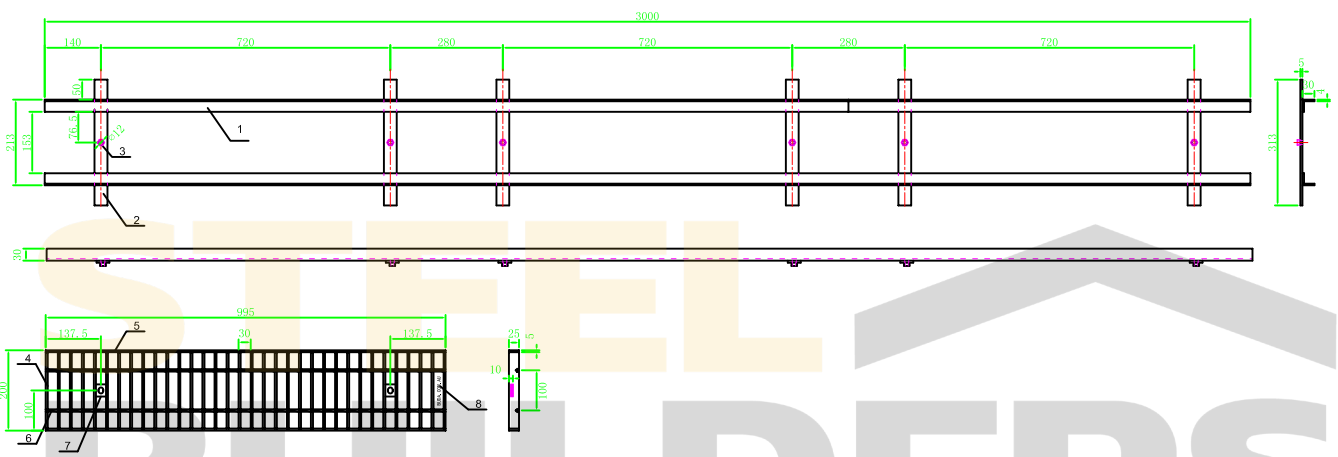


Part	No	Material	Size	QTY
Frame	1	L30*4 Angle	2000	2
	2	32*5 Flat Bar	313	4
	3	M10*30 Bolt		4
Grating	4	25*5 Flat Bar	190	68
	5	25*5 Flat Bar	995	4
	6	6*6 Cross Bar	995	4
	7	25*5 Flat Bar	30	4
	8	BUDA.COM.AU	88	2

Designer	Date	Drawing no.	T200M-2
	2018.01.23		



Drawings are for guide purposes only and may be subject to change at any time

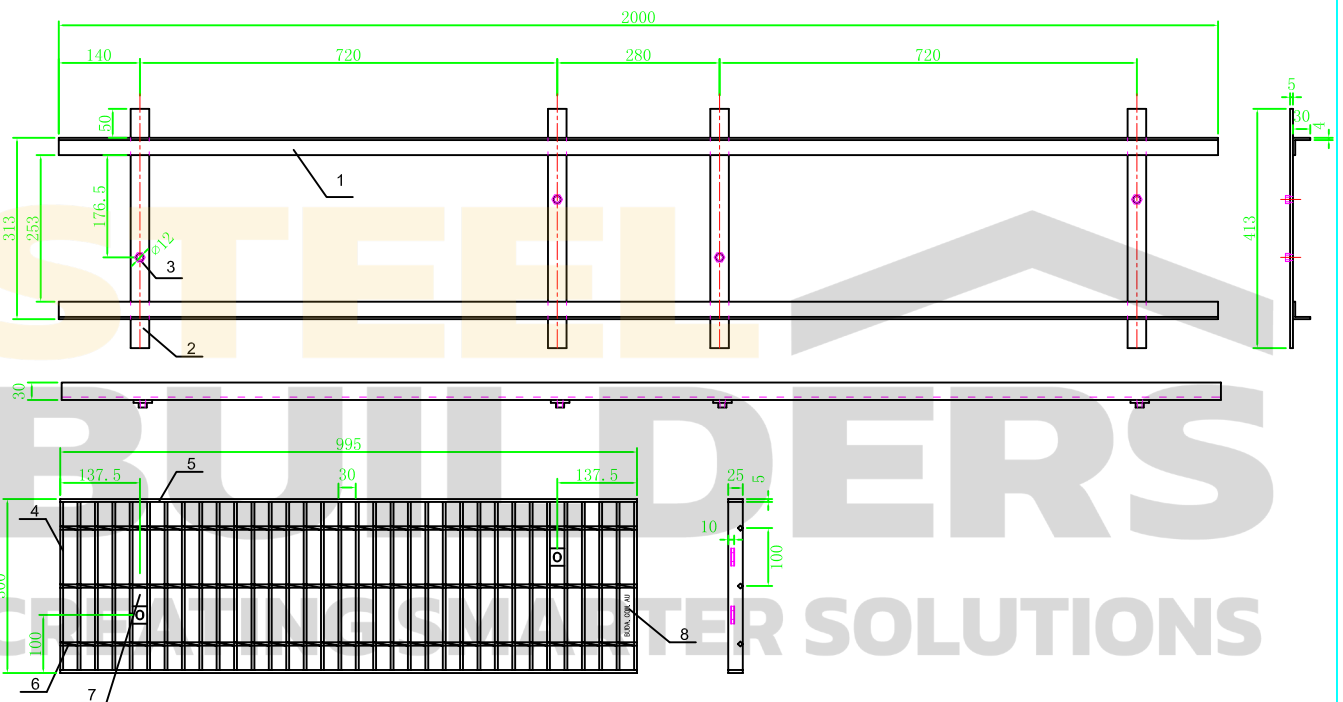


Part	No	Material	Size	QTY
Frame	1	L30*4 Angle	3000	2
	2	32*5 Flat Bar	313	6
	3	M10*30 Bolt		6
Grating	4	25*5 Flat Bar	190	102
	5	25*5 Flat Bar	995	6
	6	6*6 Cross Bar	995	6
	7	25*5 Flat Bar	30	6
	8	BUDA. COM. AU	88	3

Designer	Date	Drawing no.	T200M-3
	2017.05.9		



Drawings are for guide purposes only and may be subject to change at any time

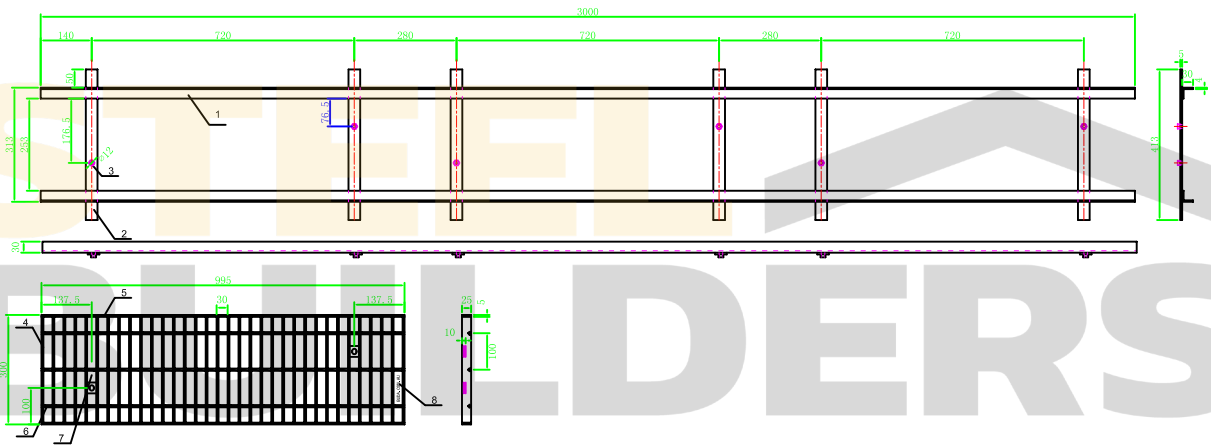


Part	No	Material	Size	QTY
Frame	1	L30*4 Angle	2000	2
	2	32*5 Flat Bar	413	4
	3	M10*30 Bolt		4
Grating	4	25*5 Flat Bar	290	68
	5	25*5 Flat Bar	995	4
	6	6*6 Cross Bar	995	4
	7	25*5 Flat Bar	30	4
	8	BUDA.COM.AU	88	2

Designer	Date	Drawing no.	T300M-2
	2018.05.15		



Drawings are for guide purposes only and may be subject to change at any time

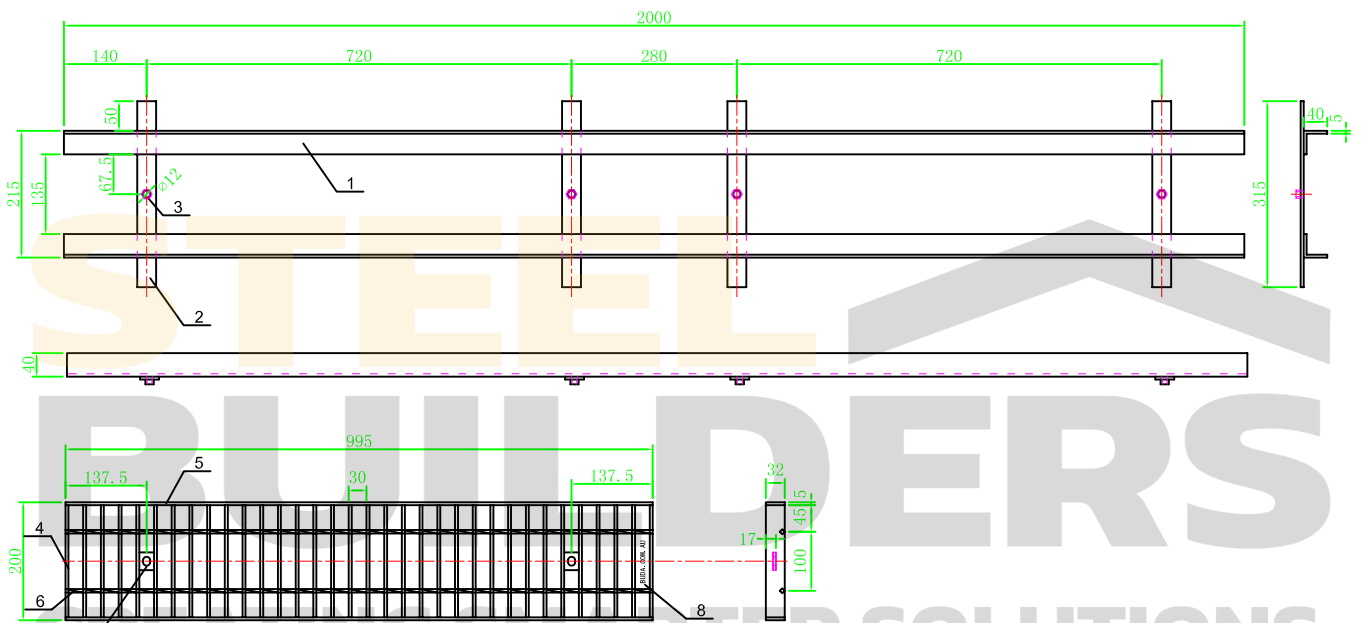


Part	No	Material	Size	QTY
Frame	1	L30*4 Angle	3000	2
	2	32*5 Flat Bar	413	6
	3	M10*30 Bolt		6
Grating	4	25*5 Flat Bar	290	102
	5	25*5 Flat Bar	995	6
	6	6*6 Cross Bar	995	6
	7	25*5 Flat Bar	30	6
	8	BUDA.COM.AU	88	3

Designer	Date	Drawing no.	T300M-3
	2017.05.09		



Drawings are for guide purposes only and may be subject to change at any time

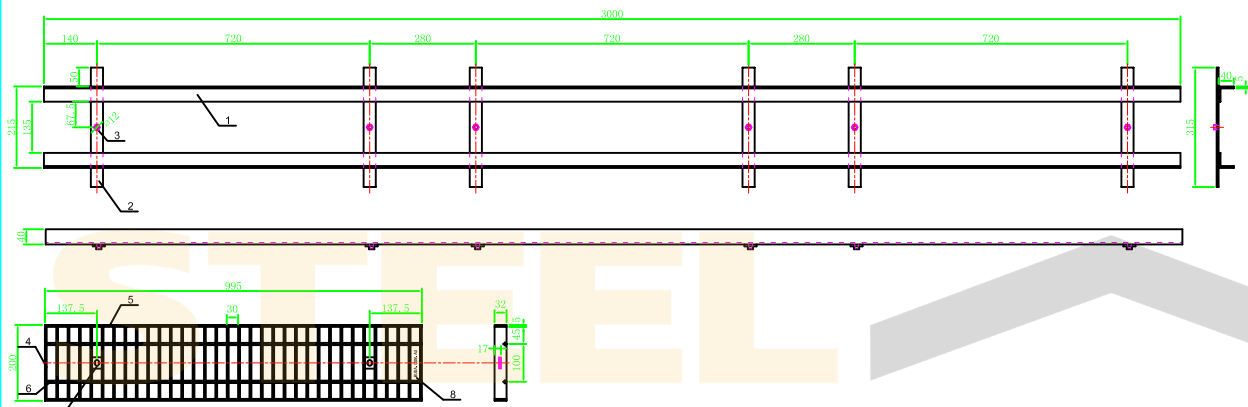


Part	No	Material	Size	QTY
Frame	1	L40*5 Angle	2000	2
	2	32*5 Flat Bar	315	4
	3	M10*35 Bolt		4
Grating	4	32*5 Flat Bar	190	68
	5	32*5 Flat Bar	995	4
	6	6*6 Cross Bar	995	4
	7	25*5 Flat Bar	30	4
	8	BUDA. COM. AU	88	2

Designer	Date	Drawing no.	T200H-2
	2017.05.9		



Drawings are for guide purposes only and may be subject to change at any time



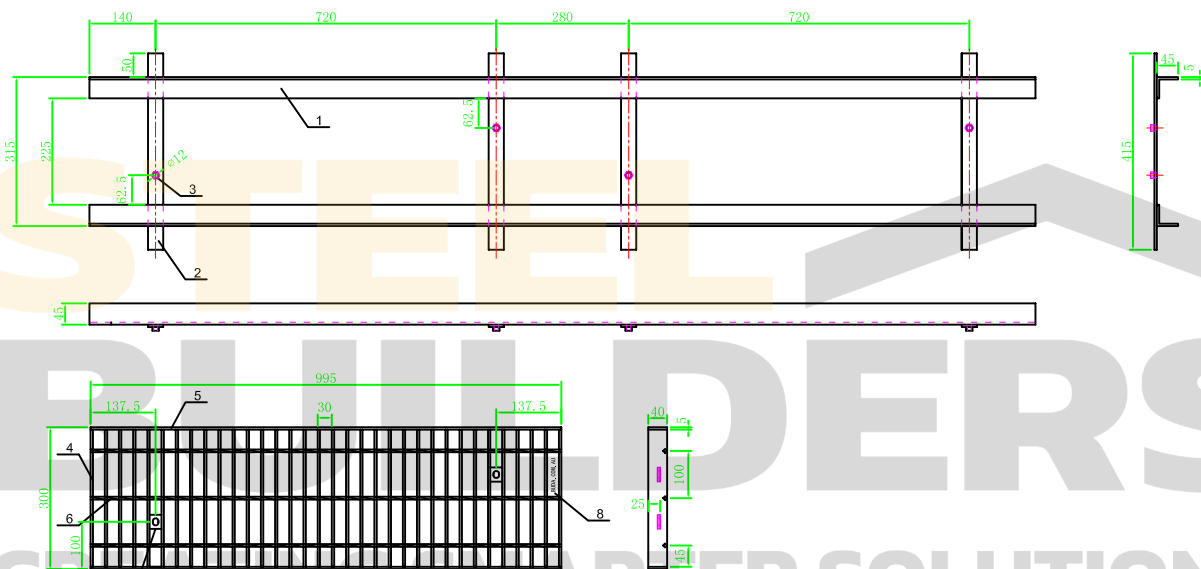
STEEL BUILDERS
CREATING SMARTER SOLUTIONS

Part	No	Material	Size	QTY
Frame	1	L40*5 Angle	3000	2
	2	32*5 Flat Bar	315	6
	3	M10*35 Bolt		6
Grating	4	32*5 Flat Bar	190	102
	5	32*5 Flat Bar	995	6
	6	6*6 Cross Bar	995	6
	7	25*5 Flat Bar	30	6
	8	BUDA. COM. AU	88	3

Designer	Date	Drawing no.	T200H-3
	2017.05.9		

STEEL BUILDERS

Drawings are for guide purposes only and may be subject to change at any time

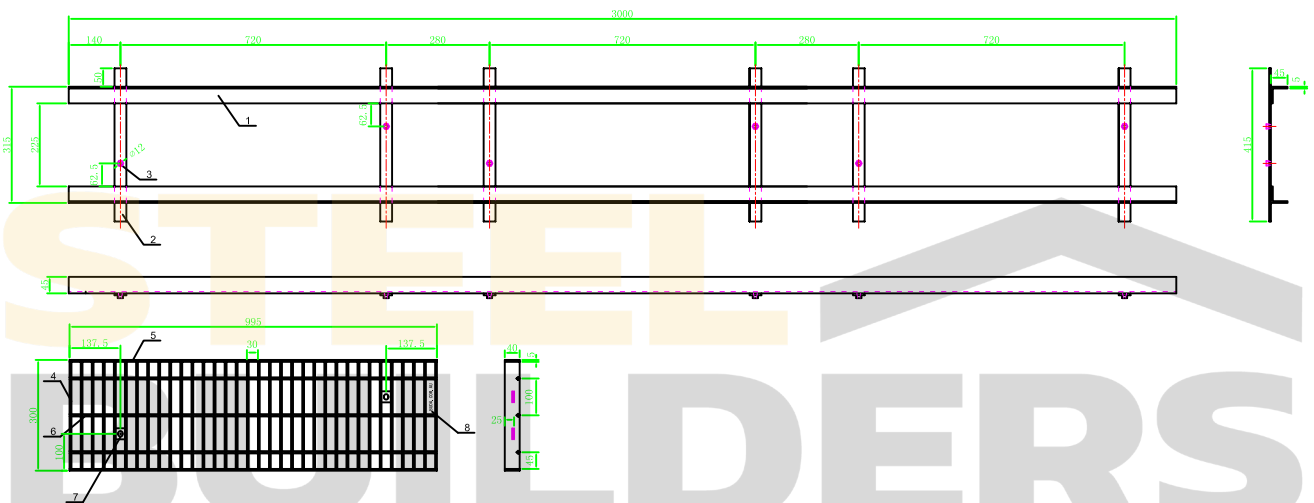


Part	No	Material	Size	QTY
Frame	1	L45*5 Angle	2000	2
	2	32*5 Flat Bar	415	4
	3	M10*40 Bolt		4
Grating	4	40*5 Flat Bar	290	68
	5	40*5 Flat Bar	995	4
	6	6*6 Cross Bar	995	6
	7	25*5 Flat Bar	30	4
	8	BUDA. COM. AU	88	2

Designer	Date	Drawing no.	T300H-2
	2017.05.9		

STEEL BUILDERS

Drawings are for guide purposes only and may be subject to change at any time



CREATING SMARTER SOLUTIONS

Part	No	Material	Size	QTY
Frame	1	L45*5 Angle	3000	2
	2	32*5 Flat Bar	415	6
	3	M10*40 Bolt		6
Grating	4	40*5 Flat Bar	290	102
	5	40*5 Flat Bar	995	6
	6	6*6 Cross Bar	995	9
	7	25*5 Flat Bar	30	6
	8	BUDA. COM. AU	88	3

Designer	Date	Drawing no.	T300H-3
	2017.05.09		



Drawings are for guide purposes only and may be subject to change at any time