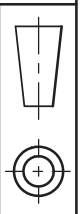
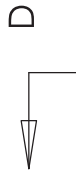


WELLS
BUILDERS
CREATING SMARTER SOLUTIONS



Drawings are for guide purposes only and may be subject to change at any time

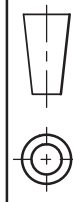
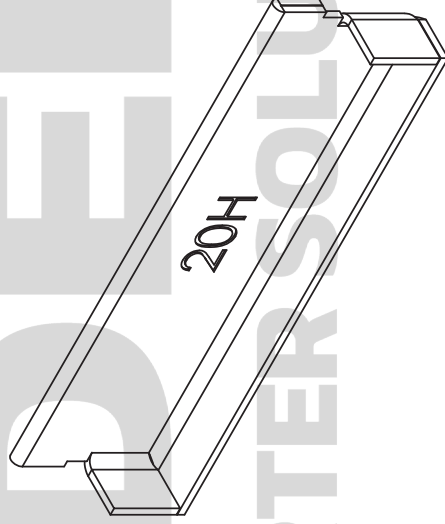
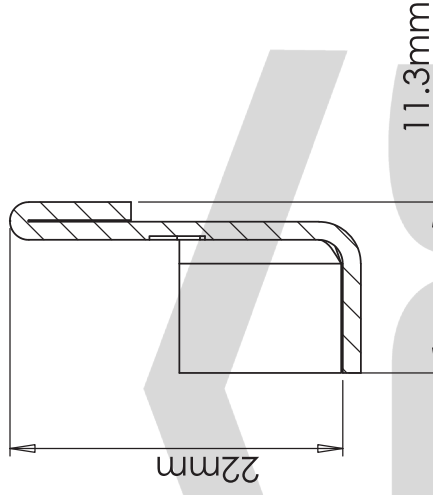
85 mm



20H



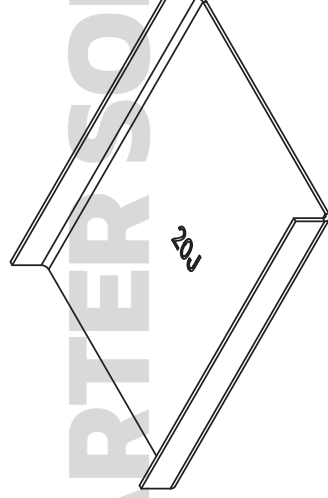
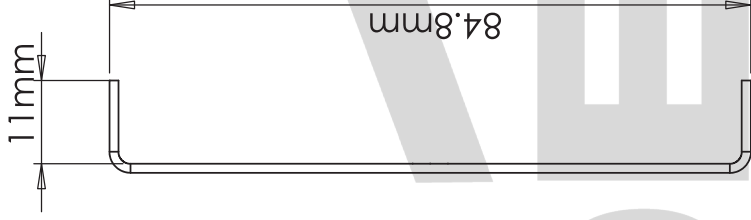
$\frac{D}{2:1}$



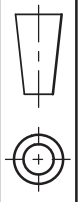
Aqualuna

Drawings are for guide purposes only and may be subject to change at any time

100mm

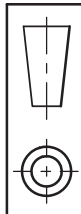


STEEL BUILDERS
CREATING SMARTER SOLUTIONS



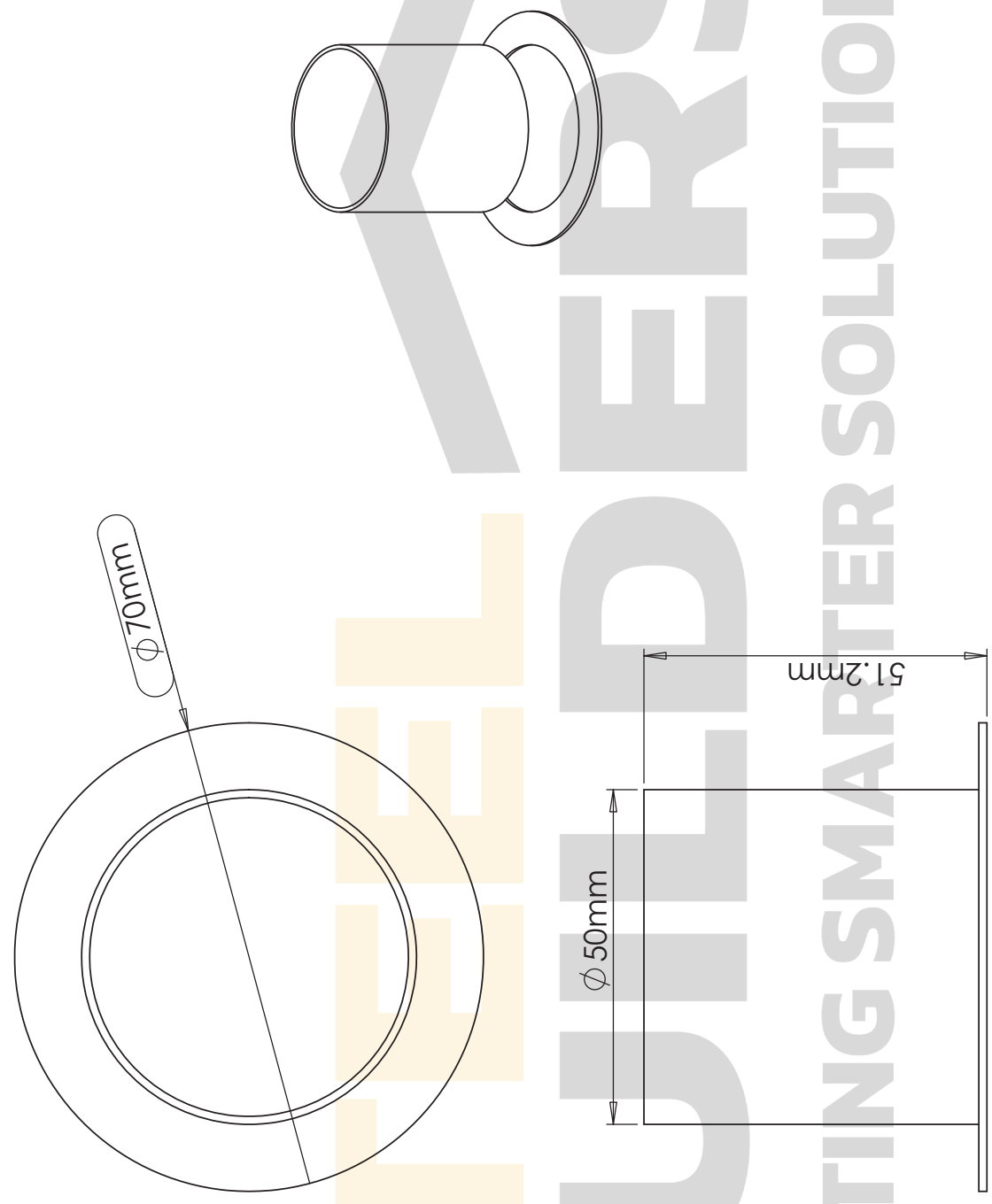
Aqualuna

Drawings are for guide purposes only and may be subject to change at any time

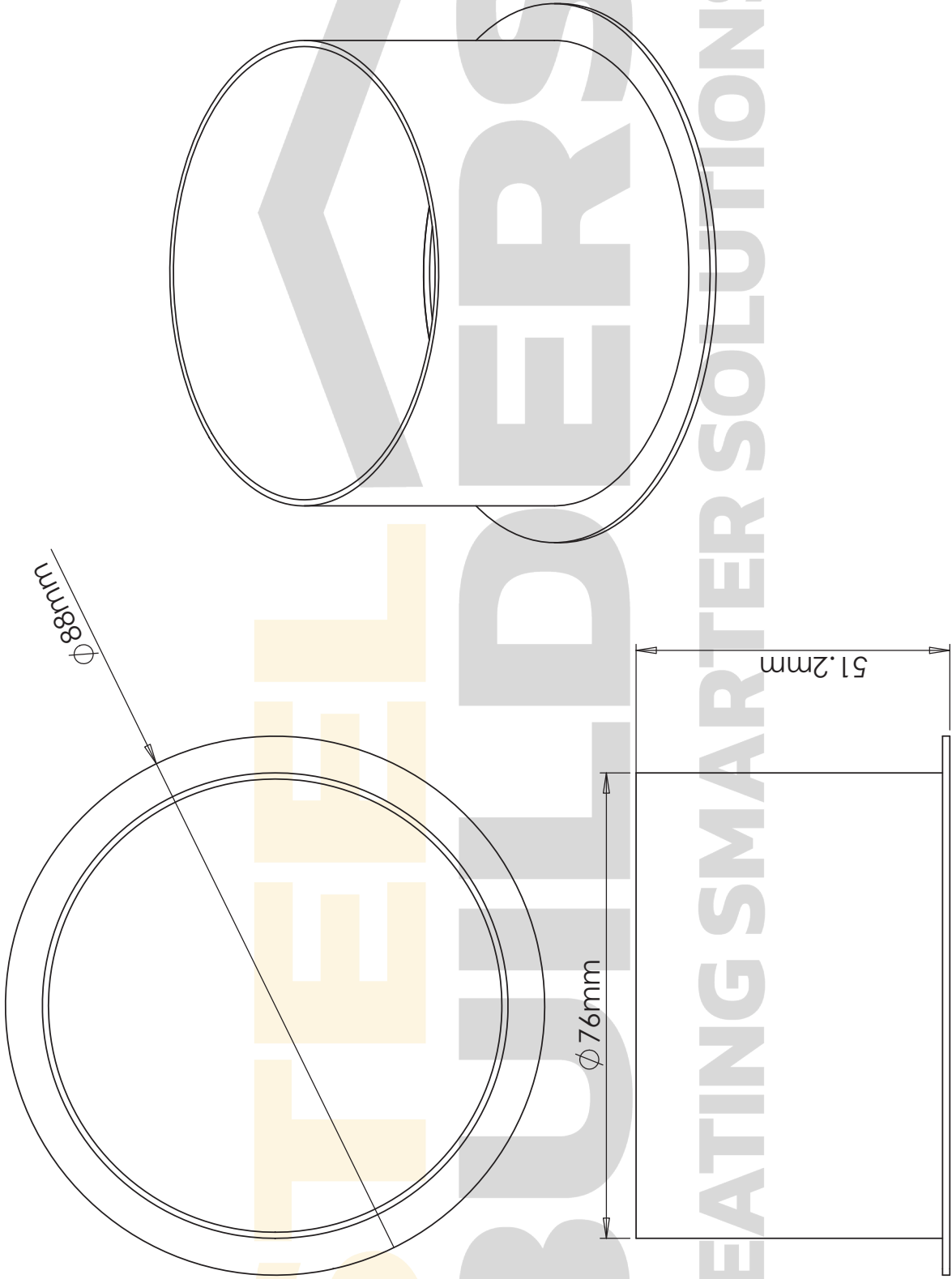


Aqualuna

Drawings are for guide purposes only and may be subject to change at any time



STEEL BUILDERS
CREATING SMARTER SOLUTIONS



Aqualuna

Drawings are for guide purposes only and may be subject to change at any time