



SPLICE / SPLITTER BOX SPECIFICATIONS



Intertek

Each of our devices are inspected and approved by Intertek a Nationally Recognized Testing Laboratory (NRTL) and equivalent to UL or CSA approval.

Black Box Innovations feed through or splitter box can be used for splicing electrical lines in an apartment or condo and adding a breaker to the system before running to the electrical panel in the unit. This provides the advantage when the main electrical room is in, or near, to the parking lot where EV charging is needed. This can prevent the need to install wiring from the suite electrical panel to the parking area if it is a more difficult installation, than installing wiring from the electrical meter location to the parking area. This can be used as a stand alone product or as an easy add on to our energy managers when electric load management is required.

KEY BENEFITS

- Multiple mounting installation orientations and placements are acceptable.
- Can be used as a stand alone product or as an easy add on to **BlackBox** Electric Vehicle Energy Management systems when required.
- Custom Splitter boxes built to customer specifications are available upon request.
- NEMA 1 and NEMA 3R enclosures available.
- Multiple enclosure dimensions are available to allow for a tailored installation.
- Splitter boxes are available with breakers sized to match the end device.
- Available without breakers allowing for future breaker installation if needed.

Electrical Service Size Splice Kit 240-208V / 120 Single Phase
60A - 200A

Breaker Supplied 240-208V, Single Phase -
30, 40, 50, 60 Amp Load *
* Other breaker sizes available upon request.

Model Numbers By Type
EVSB-8-(Breaker Size)
EVSB-8-(Breaker Size)-3R
EVSB-8-Rough-In
EVSB-8-Rough-In-3R
EVSB-10-(Breaker Size)
EVSB-10-(Breaker Size)-3R
EVSB-10-Rough-In
EVSB-10-Rough-In-3R
* Optional Neutral Splice Available

Dimensions *

NEMA 1	L:8" x W:8" x D:4" L:203mm x W:203mm x D:101mm
NEMA 3R	L:8 1/4" x W:8 1/4" x D:4 1/4" L:210mm x W:210mm x D:108mm
NEMA 1 L	L:10" x W:10" x D:4" L:254mm x W:254mm x D:101mm
NEMA 3R L	L:10 1/4" x W:10 1/4" x D:4 1/4" L:260mm x W:260mm x D:108mm

*Dimensions are approximate figures and subject to change without notice.

Splice Bus 335A Rated
Wire size: 6 AWG - 250 MCM Copper or Aluminum
* Optional Neutral Splice Available

INCLUDED

- Splitter box enclosure (8" or 10")*
 - Installation manual
 - Breaker sized to end device if desired
 - 335A rated splice bus with 250 MCM - 6 AWG wire size.
- * Other enclosure sizes available upon request.

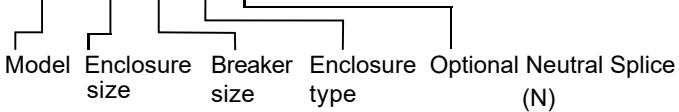
*This device can be used as an accessory for EVEM240-XXX to allow for main electrical lines to be spliced through with a breaker to feed an additional load. The service size and end device current is to be set by the installer. See installation manual. Designed and manufactured in Canada. Inspected and labeled by Intertek in Canada.

For more information email: info@blackboxelectrical.com or go to www.blackboxelectrical.com



MODEL NAMING CONVENTION

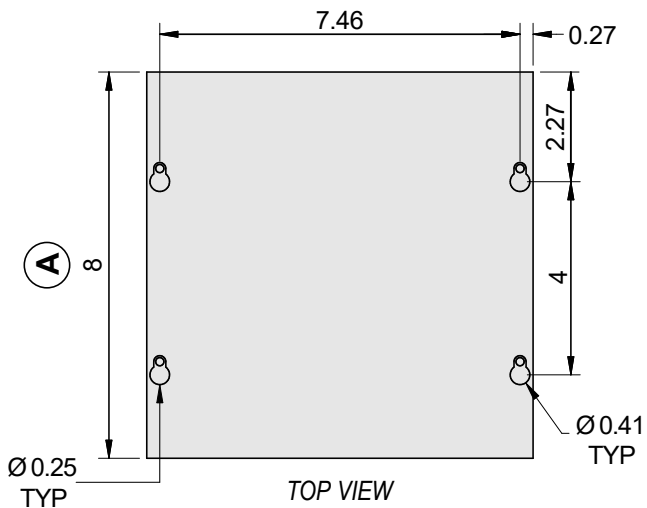
EVSB-XX-XX-XX-X



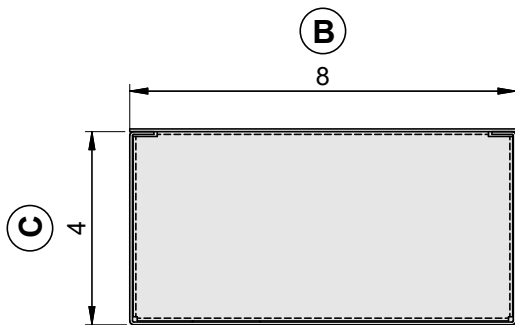
INTERNAL COMPONENTS



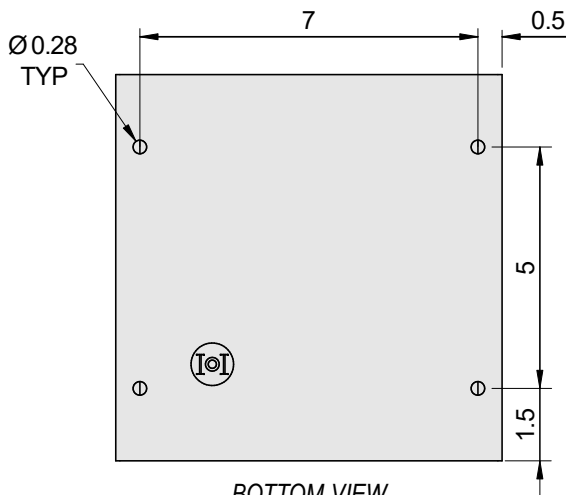
Splicing Hardware
EV Charger Breaker



TOP VIEW



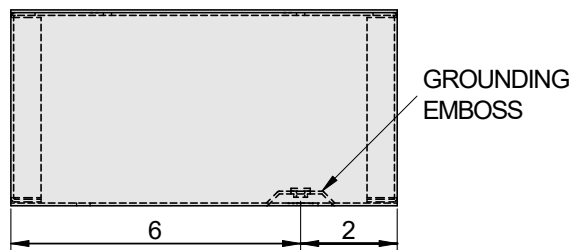
FRONT VIEW



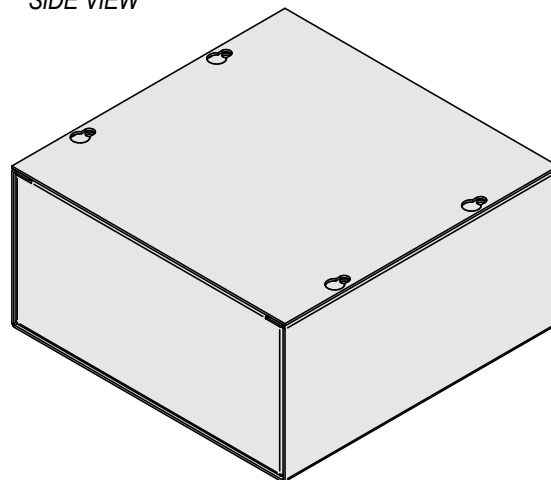
BOTTOM VIEW

ENCLOSURE DIMENSIONS *

	Inches	mm
(A)	8 or 10	203.2 or 254
(B)	8 or 10	203.2 or 254
(C)	4	101.6



SIDE VIEW

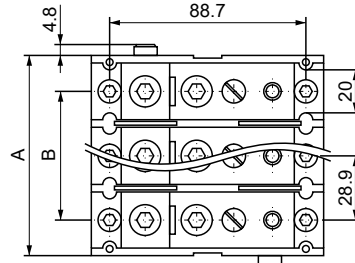
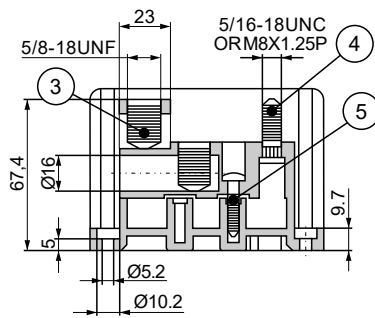


ISOMETRIC VIEW



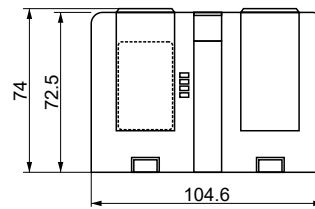
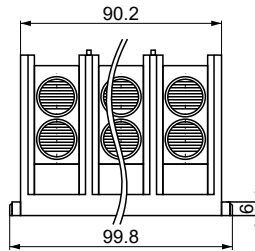
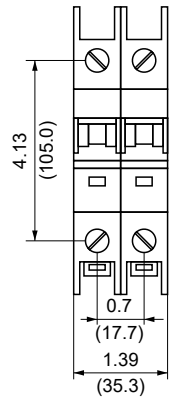
LUG TORQUE SPECS:

250 MCM	275 in-lbs
3/0 - 4/0	220 in-lbs
2/0 - 3 AWG	137 in-lbs
6 - 4 AWG	45 in-lbs

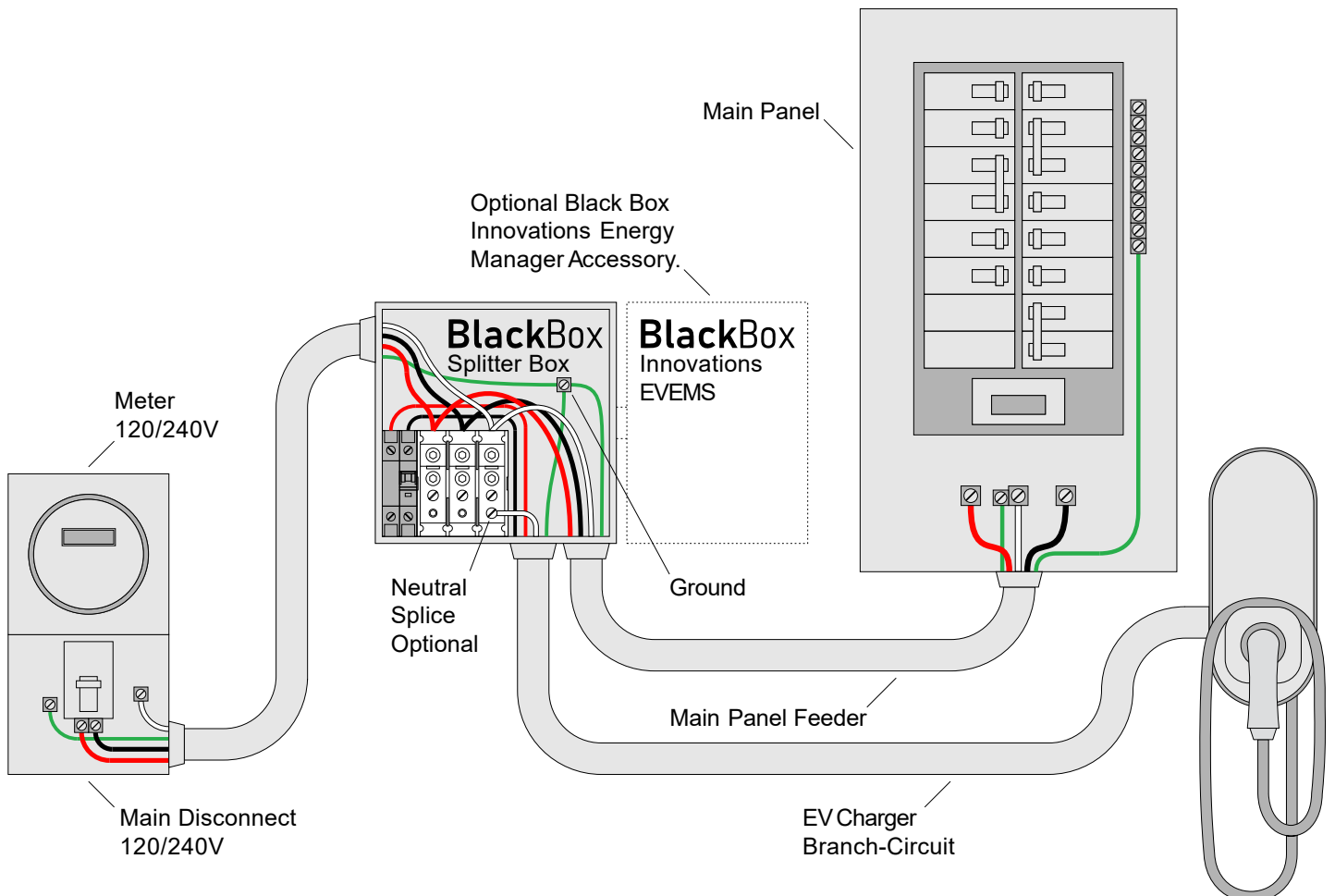


Breaker:

Two-Pole



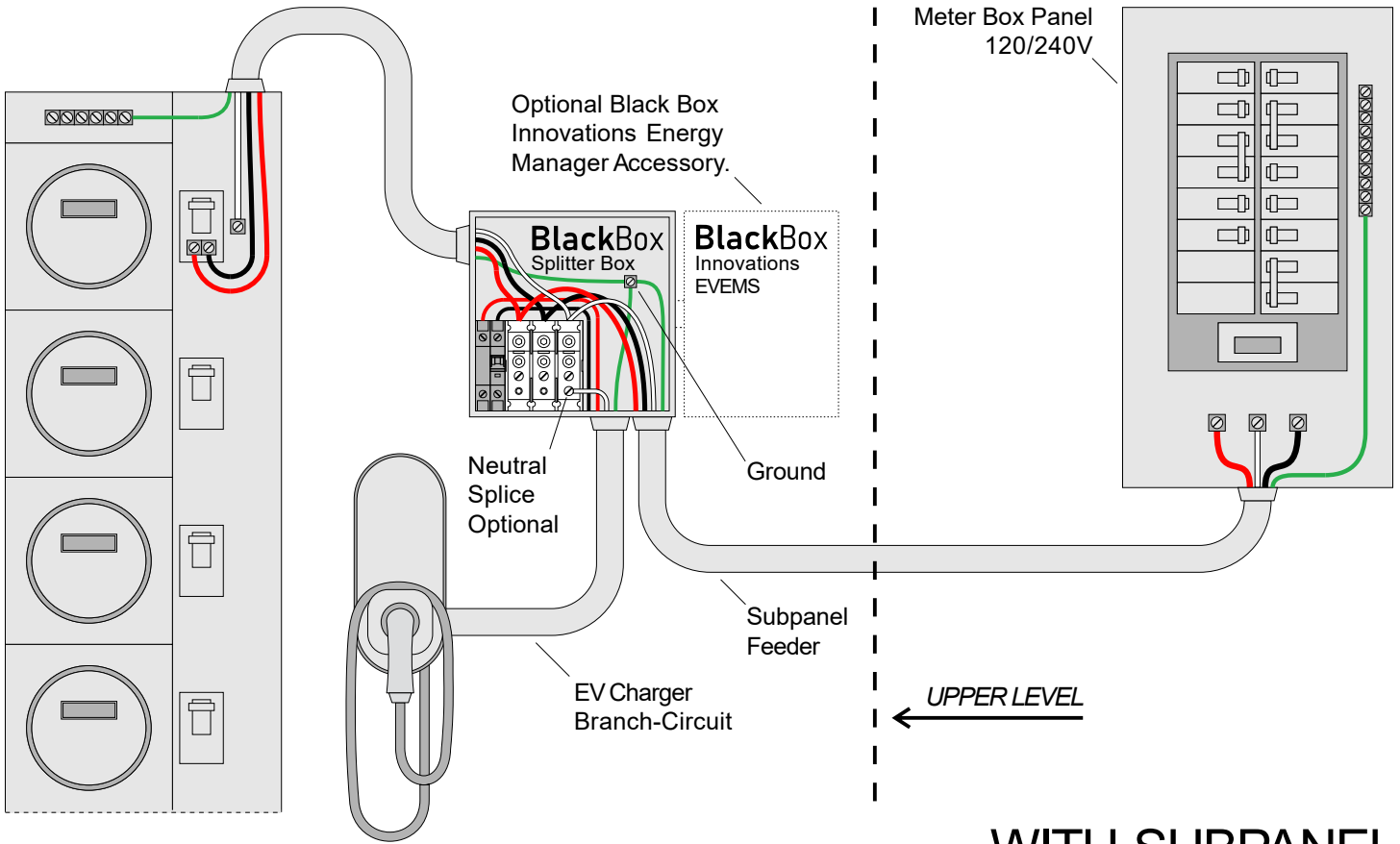
WITH MAIN DISCONNECT



For more information email: info@blackboxelectrical.com or go to www.blackboxelectrical.com



WITH METER STACK



WITH SUBPANEL

