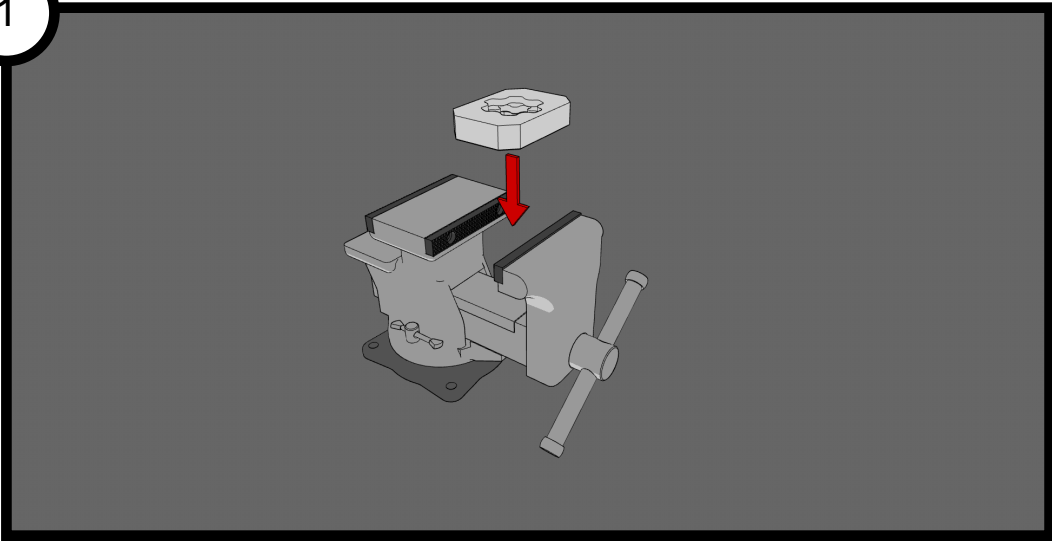
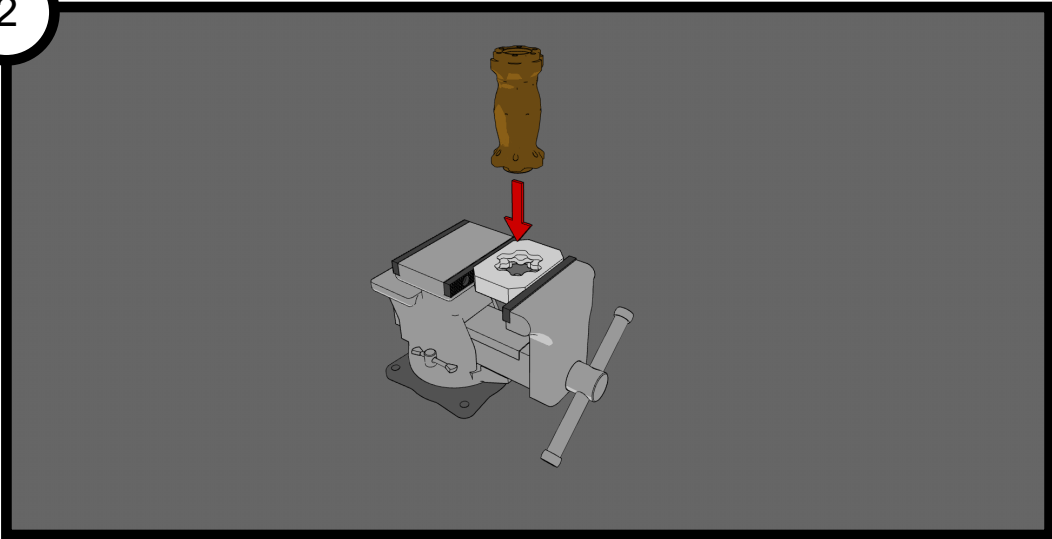


1



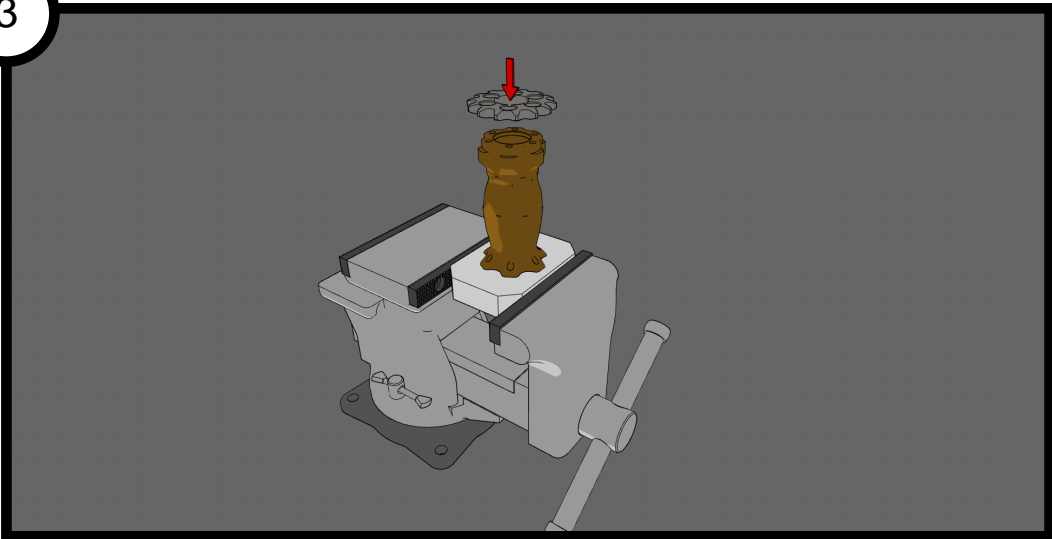
INSTALL TOOL INTO VISE

2



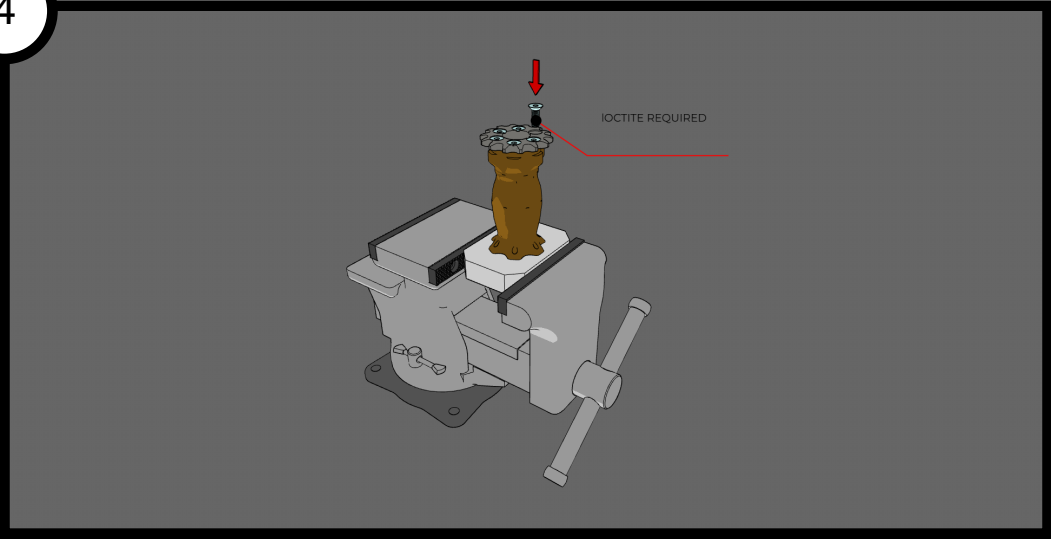
INSTALL JACKSHAFT INTO TOOL

3



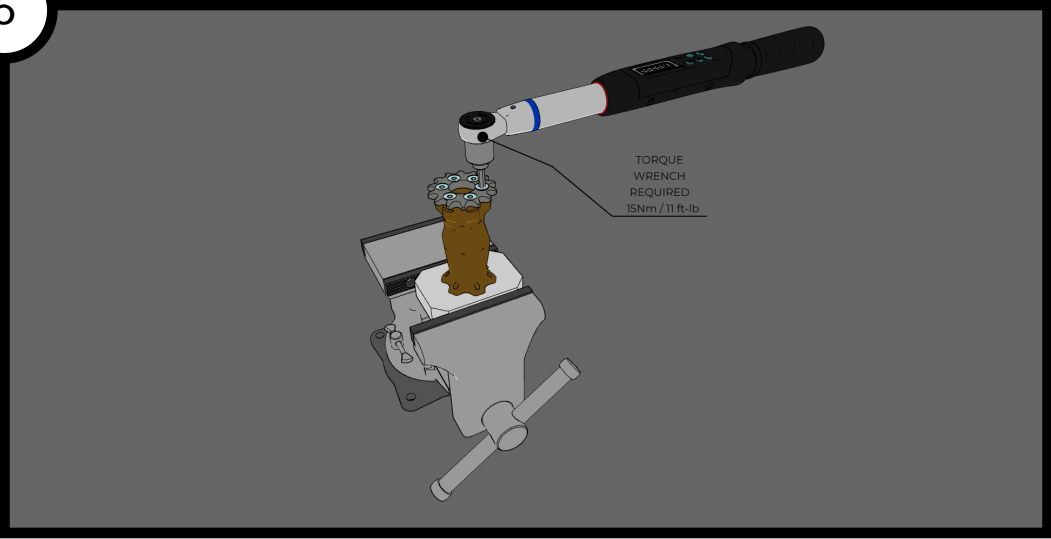
INSTALL SPROCKET

4



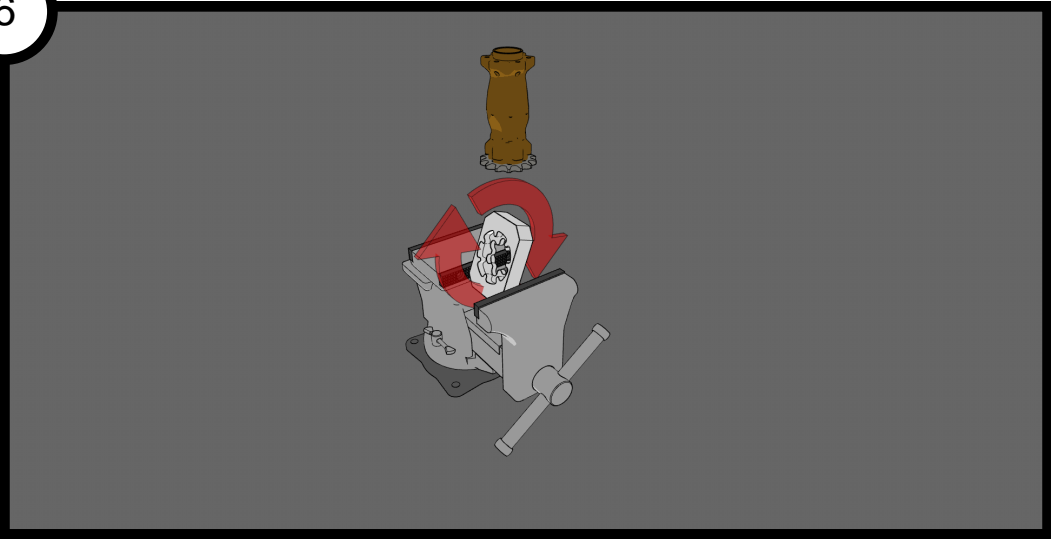
INSTALL SCREWS FOR SPROCKET

5



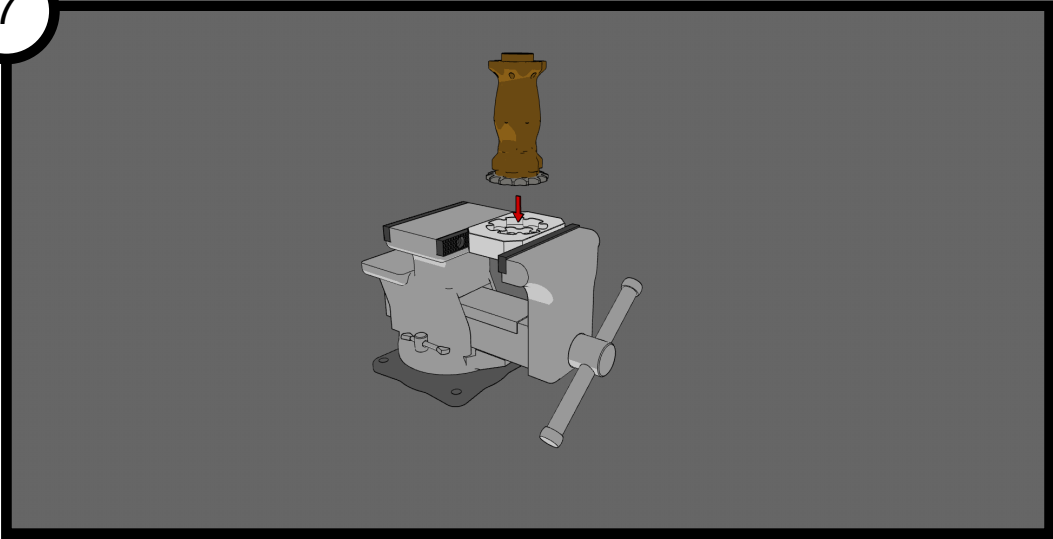
TORQUE BOLTS

6



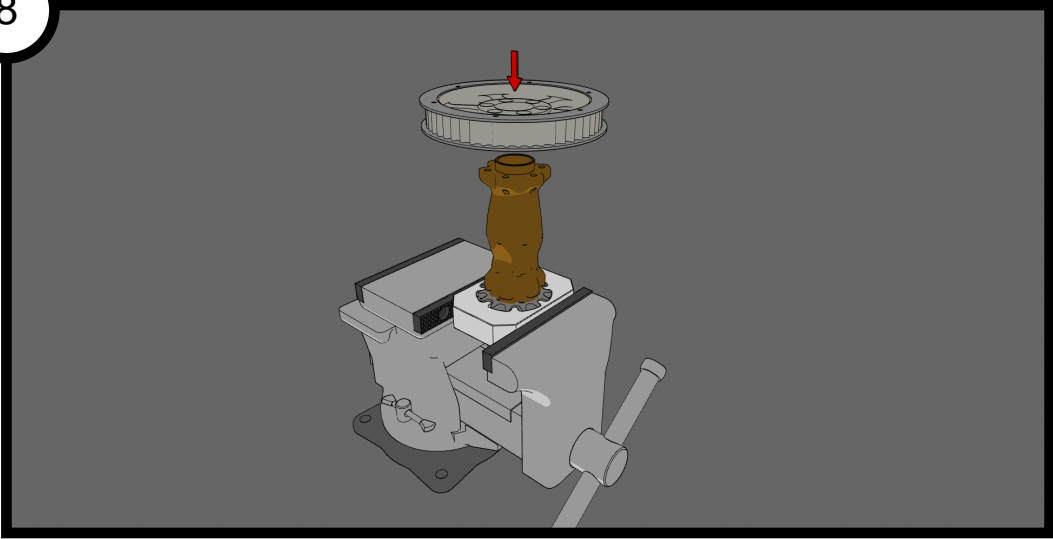
FLIP TOOL OVER

7



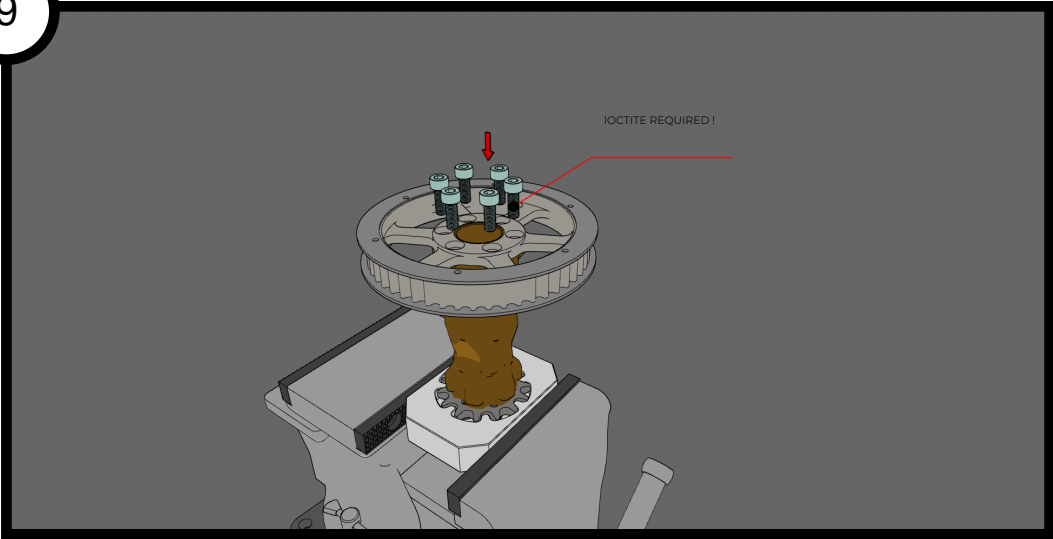
INSTALL SPROCKET SIDE INTO FIXTURE

8



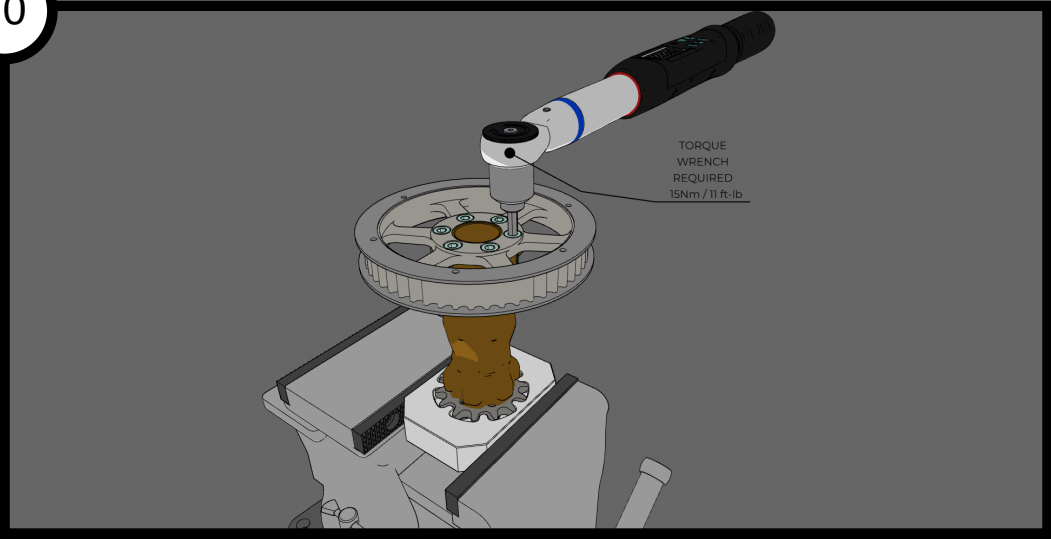
INSTALL PULLEY

9



INSTALL SCREWS

10



TORQUE SCREWS