

IOT-CPE5G

Quick Start Guide



Safety Precautions

Linovision will not shoulder responsibility for any loss or damage resulting from not following the instructions of this operating guide.

- The device must not be modified in any way.
- Do not place the device close to objects with naked flames.
- Do not place the device where the temperature is below/above the operating range.
- Do not power on the device or connect it to other electrical device when installing.
- Check lightning and water protection when used outdoors.
- Do not connect or power the equipment using cables that have been damaged.

Related Documents

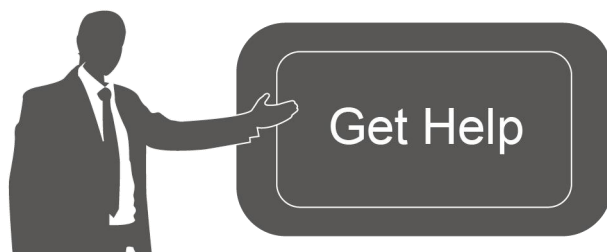
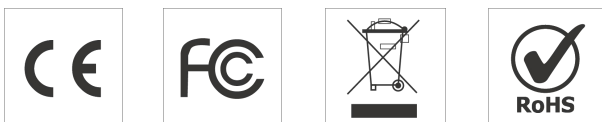
This Quick Start Guide only explains the installation of Linovision IOT-CPE5G. For more functionality and advanced settings, please refer to the relevant documents as below.

Document	Description
IOT-CPE5G Datasheet	Datasheet for IOT-CPE5G.
IOT-CPE5G User Guide	Users can refer to the guide for instruction on how to log in the web GUI, and how to configure all the settings.

The related documents are available on Linovision website: <https://www.linovision.com>

Declaration of Conformity

IOT-CPE5G is in conformity with the essential requirements and other relevant provisions of the CE, FCC, and RoHS.



For assistance, please contact
 Linovision technical support:
 Email:sales@linovision.com
 Tel: 86 571-8670 8175
 Web:www.linovision.com/support

Revision History

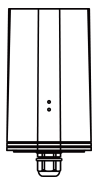
Date	Doc Version	Description
July 28, 2021	V1.0	Initial version

Contents

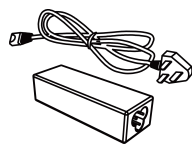
1. Packing List.....	4
2. Hardware Introduction.....	5
2.1 Overview.....	5
2.2 Dimensions.....	5
2.3 Serial & IO & Power Pinouts.....	6
2.4 LED Indicators.....	6
2.5 Reset Button.....	7
3. Power Supply.....	7
4. Hardware Installation.....	7
4.1 SIM Card Installation.....	7
4.2 Waterproof Cover & Ethernet Cable Installation.....	8
4.3 Device Installation.....	9
4.3.1 Desktop.....	9
4.3.2 Wall Mounting.....	9
4.3.3 Pole Mounting.....	10
5. Login the Web GUI.....	11
5.1 Wireless Access.....	11
5.2 Wired Access.....	12
6. Network Connection.....	13
6.1 Configure the Ethernet Connection.....	13
6.2 Configure the Wi-Fi Connection.....	15
6.3 Configure the Cellular Connection.....	16

1. Packing List

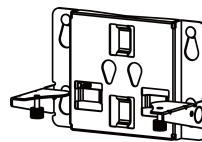
Before you begin to install the IOT-CPE5G, please check the package contents to verify that you have received the items below.



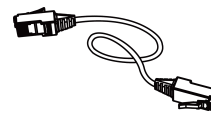
1 × IOT-CPE5G Device



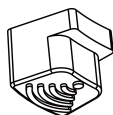
1 × PoE Injector



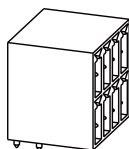
1 × Mounting Bracket



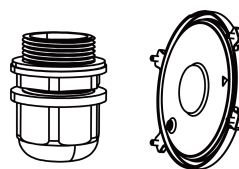
1 × Ethernet Cable



4 × Rubber Feet



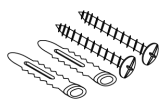
1 × 8-Pin Pluggable
Terminal Block



1 × Bottom Cover
with Cable Gland



1 × Waterproof
Rubber Ring



Wall Mounting Kits



2 × Hose Clamps



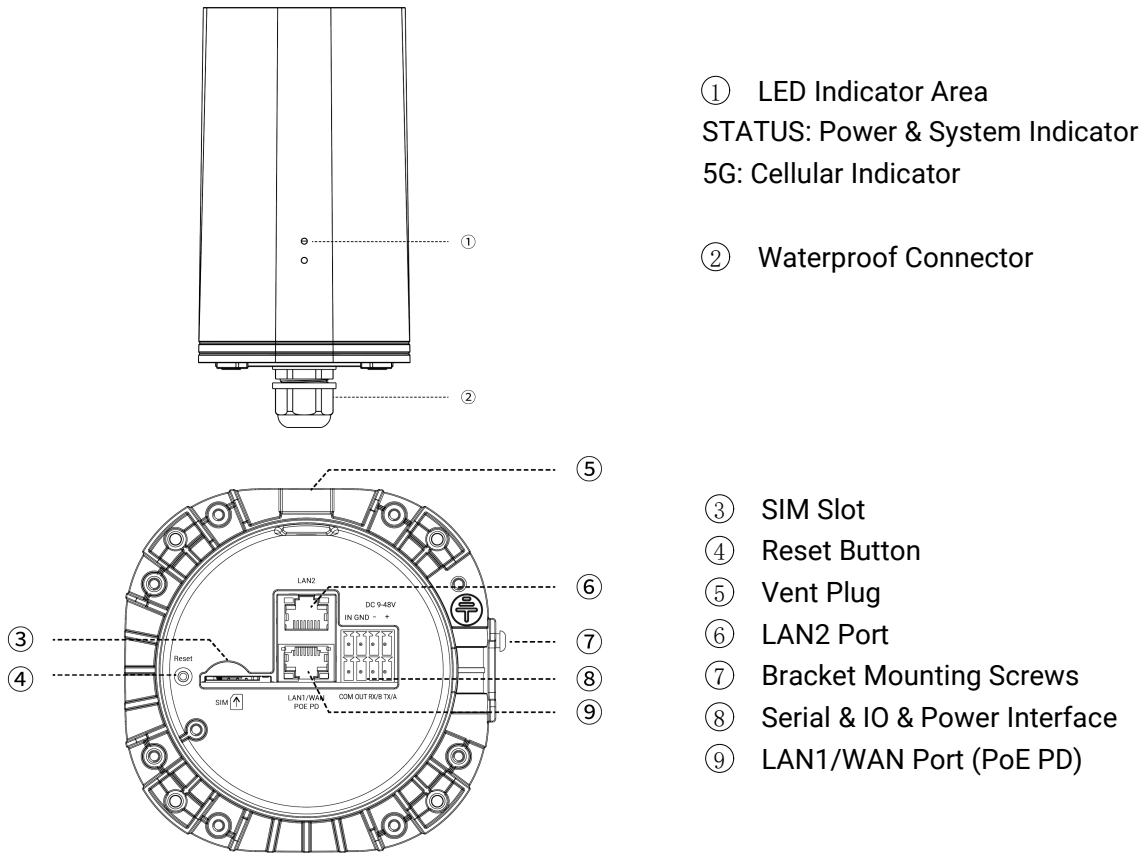
1 × Quick Start Guide



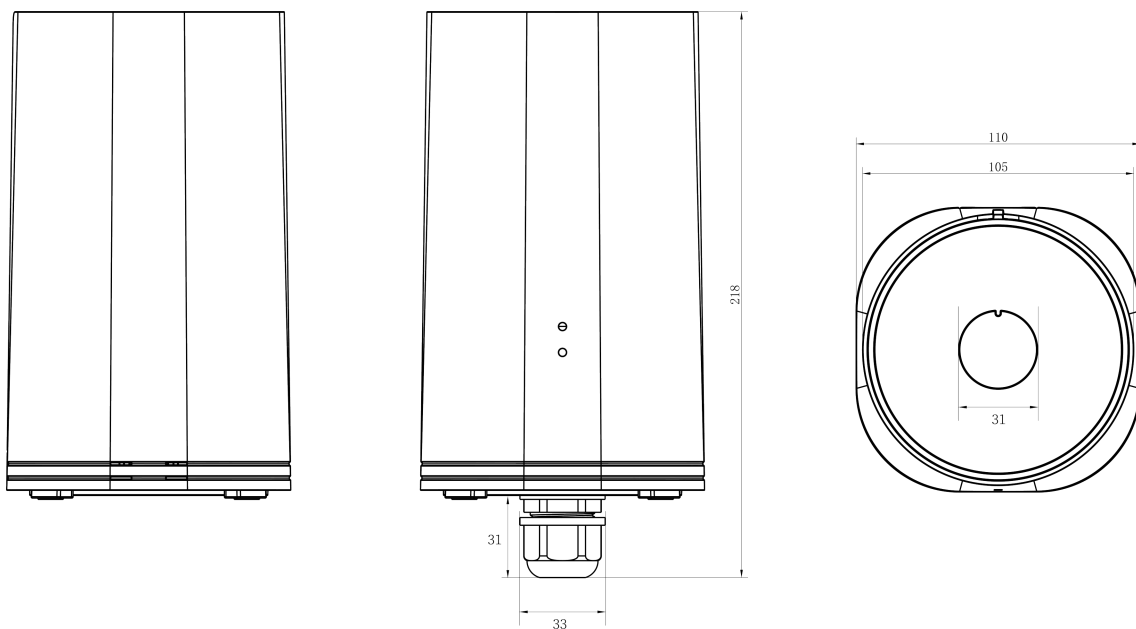
If any of the above items is missing or damaged, please contact your sales representative.

2. Hardware Introduction

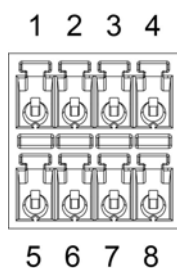
2.1 Overview



2.2 Dimensions (mm)



2.3 Serial & IO & Power Pinouts



PIN	RS232 /RS485	DI	DO	Power	Description
1	---	IN	---	---	Digital Input
2	GND	GND	---	---	Ground
3	---	---	---	(-)	Negative
4	---	---	---	(+)	Positive (9-48V)
5	---	---	COM	---	Common Ground
6	---	---	OUT	---	Digital Output
7	RXD/B	---	---	---	RS232-RXD RS485-B
8	TXD/A	---	---	---	RS232-TXD RS485-A

2.4 LED Indicators

LED	Indication	Status	Description
STATUS	Power & System Status	Off	The power is switched off
		Orange	Static: The system is startup
		Green	Static: The system is running properly
		Red	Static: The system goes wrong
5G	Cellular Status	Off	SIM card is registering or fails to register (or there are no SIM cards inserted)
		Green	Blinking slowly: SIM card has been registered and is ready for dial-up
			Blinking rapidly: SIM card has been registered and is dialing up now
			Static: SIM card has been registered and dialed up to 5G network
Orange	Static: SIM card has been registered and dialed up to 4G network		
Ethernet Port	Link Indicator (Orange)	Off	Disconnected or connect failure
		On	Connected
		Blinking	Transmitting data
	Rate Indicator (Green)	Off	100 Mbps mode
		On	1000 Mbps mode

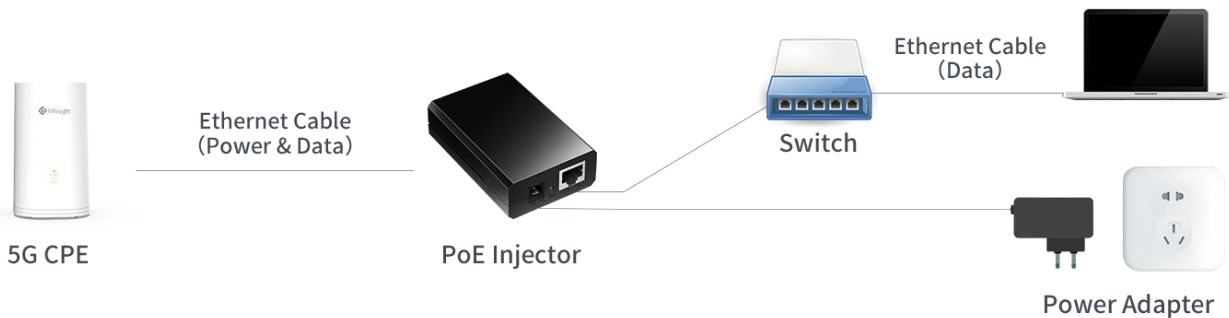
2.5 Reset Button

Function	Description	
	STATUS & 5G LED	Action
Reset	Static	Press and hold the reset button for more than 5 seconds.
	Static → Blinking	Release the button and wait.
	Off → Static Green	The device resets to factory default.

3. Power Supply

IOT-CPE5G can be powered by 802.3af standard PoE or 9-48VDC. **Both power supplies can't be used at the same time.**

PoE Supply: Follow the below picture to provide power supply via PoE injector. Besides, IOT-CPE5G can also be powered by PoE switch.

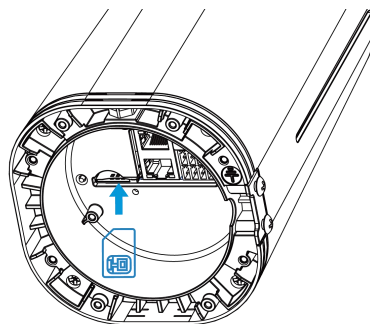


DC Supply: Connect the DC power cable to terminal block, then connect the terminal block to DC interface to power the device.

4. Hardware Installation

4.1 SIM Card Installation

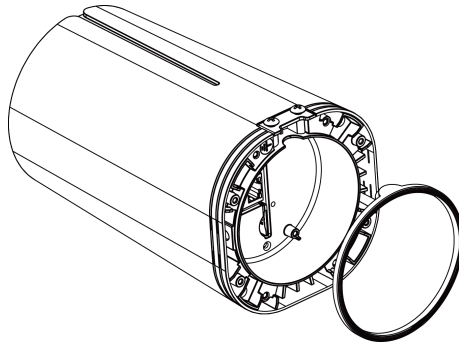
Insert the SIM card into the device according to the direction icon on the device. If you need to take out the SIM card, press into the SIM card and it will pop out automatically.



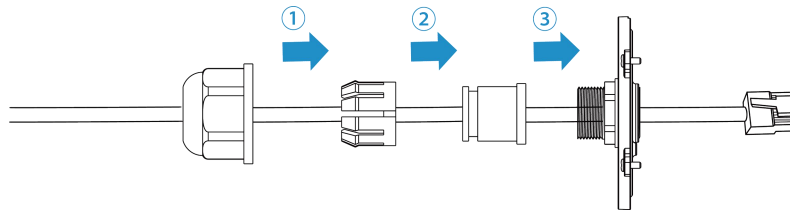
4.2 Waterproof Cover & Ethernet Cable Installation

If you need to use IOT-CPE5G outdoors, the waterproof cover and cable gland should be installed under the bottom of the device.

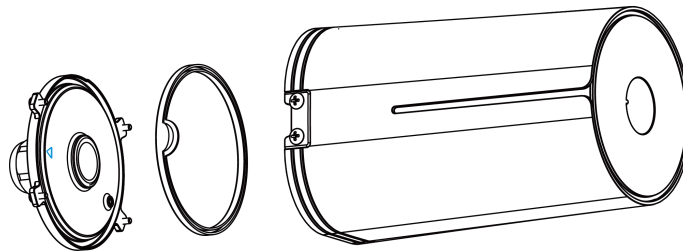
A. Install the rubber ring into the bottom of the device. Note that the round part needs to face the gap of bottom when installing, otherwise it may cause waterlogged.



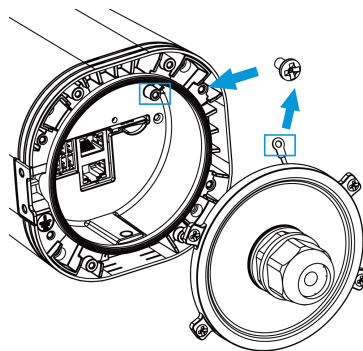
B. Connect a round Ethernet cable to LAN1/WAN port, then pass the Ethernet cable through all parts of the cable gland and the bottom cover.



C. Fix the bottom cover to the bottom of the device with 4 screws. Note that the arrow behind the cover needs to face the bracket mounting screws.



Note: Bottom cover can be fixed with the device via the wiring behind the cover.



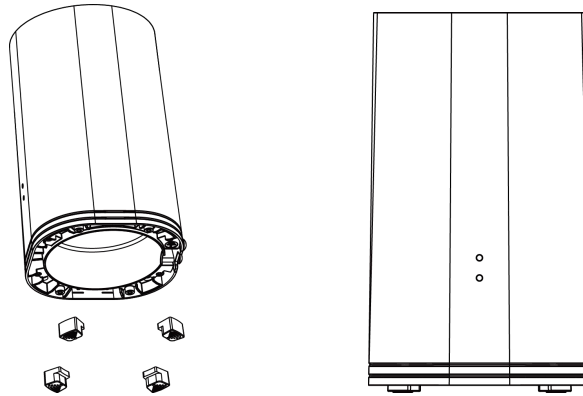
4.3 Device Installation

IOT-CPE5G supports multiple installation methods like desktop, wall mounting, pole mounting, etc. Before you start, make sure that your SIM card has been inserted and all cables have been installed.

Note: Do not connect device to power supply or other devices when installing.

4.3.1 Desktop

When using indoors, pile 4 rubber feet into the gaps at the bottom of the device. The rough surface of rubber feet should face desktop.



4.3.2 Wall Mounting

Preparation: mounting bracket(with 2 screws), wall plugs, wall mounting screws and other required tools.

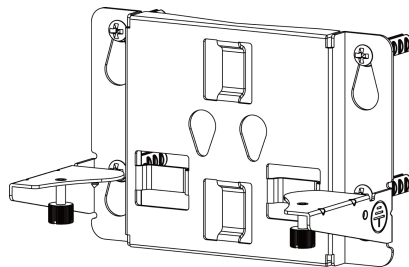
A. Align the mounting bracket horizontally to the desired position on the wall, use a marker pen to mark four mounting holes on the wall, and then remove the mounting bracket from the wall.

Note: The connecting lines of adjacent points are at right angles.

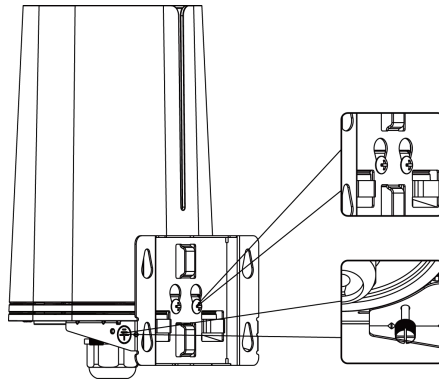
B. Drill four holes with a depth of 32 mm by using your drill with a 6 mm drill bit on the positions you marked previously on the wall.

C. Insert four wall plugs into the holes respectively.

D. Mount the mounting bracket horizontally to the wall by fixing the wall mounting screws into the wall plugs.



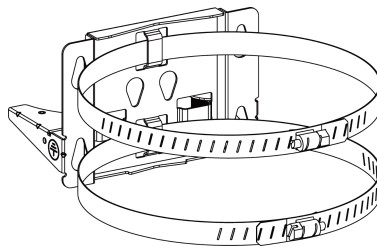
E. Hang the device to the mounting bracket via bracket mounting screws on the back of device, then screw the 2 bracket screws to the bottom of the device.



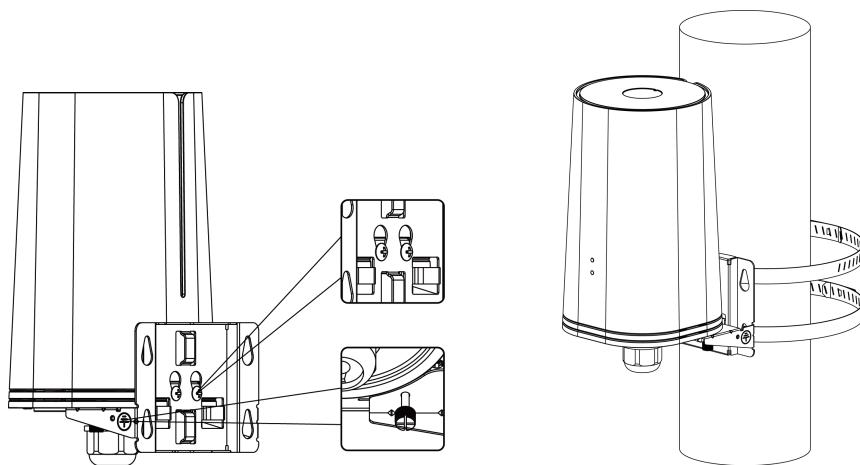
4.3.3 Pole Mounting

Preparation: mounting bracket(with 2 screws), hose clamps and other required tools.

- A. Loosen the hose clamp by turning the locking mechanism counter-clockwise.
- B. Straighten out the hose clamp and slide it through the rectangular rings in the mounting bracket, wrap the hose clamp around the pole.
- C. Use a screwdriver to tighten the locking mechanism by turning it clockwise.



- D. Hang the device to the mounting bracket via bracket mounting screws on the back of device, then screw the 2 bracket screws to the bottom of the device.



5. Login the Web GUI

IOT-CPE5G provides web-based configuration interface for management. If this is the first time you configure the device, please use the default settings below:

Username: **admin**

Password: **password**

5.1 Wireless Access

- Enable Wireless Network Connection on your computer and search for access point **"Router_*****"** to connect it.
- Open a Web browser on your PC (Chrome is recommended) and type in the IP address **192.168.1.1** to access the web GUI.
- Enter the username and password, click **"Login"**.

English

M2M ROUTER



If you enter the username or password incorrectly more than 5 times, the login page will be locked for 10 minutes.

- After logging in the web GUI, you can view system information and perform configuration of the device.

M2M ROUTER
admin

For your device security, please change the default password!

- Status
- Network
- System
- Industrial
- Maintenance
- APP

Overview
Cellular
Network
WLAN
VPN
Routing
Host List

GPS

System Information

Model	F51-501EU
Serial Number	6901B1901925
Firmware Version	76.2.0.2
Hardware Version	V1.0

Cellular ● Link in use

Status	Ready, 5G NR,
IPv4	10.2.25.72/28
IPv6	fe80::7cf3:90ff:fe33:6151/64
Connection Duration	0 days, 23:05:19

System Status

Local Time	2021-07-28 10:44:44 Wednesday
Uptime	1days, 13:57:19
CPU Load	7%
RAM (Available/Capacity)	215MB/512MB(41.99%)
Flash (Available/Capacity)	2911MB/4096MB(71.07%)

WAN

Status	Online
IPv4	192.168.22.213/24
IPv6	fe80::26e1:24fff:fe1:e38d/64
MAC	24:e1:24:ff:fe1:e38d/64

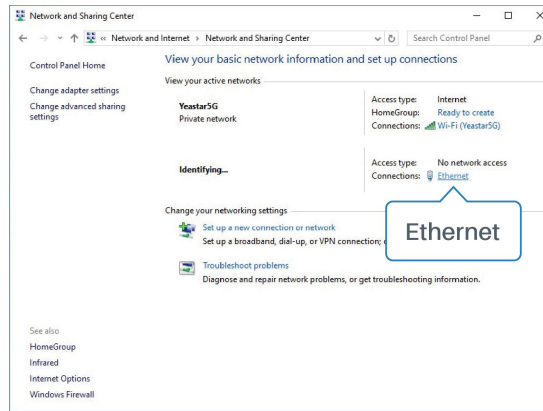
Help

- Model**
Show the model name of router.
- Serial Number**
Show the serial number of router.
- Firmware Version**
Show the current firmware version of router.
- Hardware Version**
Show the current hardware version of router.
- Local Time**
Show the current local time of system.
- Uptime**
Show the information on how long the router has been running.
- CPU Load**
Show the current CPU utilization of the router.

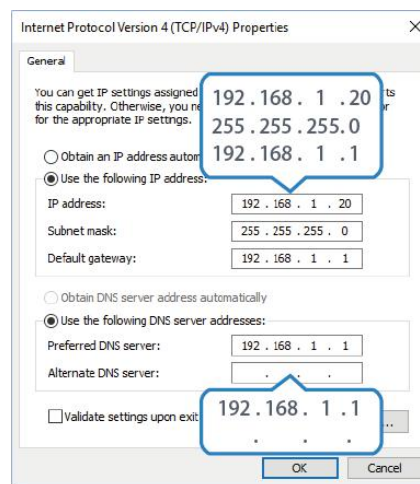
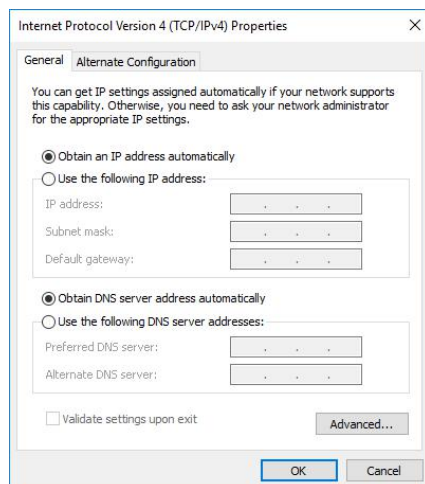
5.2 Wired Access

Connect PC to IOT-CPE5G LAN port directly or through PoE injector. The following steps are based on Windows 10 operating system for your reference.

A. Go to “Control Panel” → “Network and Internet” → “Network and Sharing Center”, then click “Ethernet” (It may have different names).



B. Go to “Properties” → “Internet Protocol Version 4(TCP/IPv4)”, select “Obtain an IP address automatically” or “Use the following IP address”, then assign a static IP manually within the same subnet of the device.



C. Open a Web browser on your PC (Chrome is recommended) and type in the IP address **192.168.1.1** to access the web GUI.

D. Enter the username and password, click “Login”.

M2M ROUTER

| Username

| Password

Login



If you enter the username or password incorrectly more than 5 times, the login page will be locked for 10 minutes.

E. After logging in the web GUI, you can view system information and perform configuration of the device.

M2M ROUTER
admin

For your device security, please change the default password!

Status
 Network
 System
 Industrial
 Maintenance
 APP

Overview
Cellular
Network
WLAN
VPN
Routing
Host List

GPS

System Information

Model	F51-501EU
Serial Number	6901B1901925
Firmware Version	76.2.0.2
Hardware Version	V1.0

System Status

Local Time	2021-07-28 10:44:44 Wednesday
Uptime	1days, 13:57:19
CPU Load	7%
RAM (Available/Capacity)	215MB/512MB(41.99%)
Flash (Available/Capacity)	2911MB/4096MB(71.07%)

Cellular ● Link in use

Status	Ready, 5G NR,
IPv4	10.2.25.72/28
IPv6	fe80::7cf3:90ff:fe33:6151/64
Connection Duration	0 days, 23:05:19

WAN

Status	Online
IPv4	192.168.22.213/24
IPv6	fe80::26e1:24ff:fe11:e38d/64
MAC	24:e1:24:ff Manual Refresh Refresh

Help
Model
 Show the model name of router.
Serial Number
 Show the serial number of router.
Firmware Version
 Show the current firmware version of router.
Hardware Version
 Show the current hardware version of router.
Local Time
 Show the current local time of system.
Uptime
 Show the information on how long the router has been running.
CPU Load
 Show the current CPU utilization of the router.

6. Network Connection

This section explains how to connect the device to network via WAN connection, Wi-Fi or cellular.

6.1 Configure the Ethernet Connection

A. Go to “Network” → “Interface” → “Port” page to select connection type and configure WAN parameters, then Click “Save & Apply”.

Link Failover Cellular Port **WAN** Bridge WLAN Switch

WAN Settings

— WAN_1

Enable

Port

Connection Type

IPv4 Address

Netmask

IPv4 Gateway

IPv6 Address

Prefix Length

IPv6 Gateway

MTU

IPv4 Primary DNS

IPv4 Secondary DNS

IPv6 Primary DNS

IPv6 Secondary DNS










Enable NAT

B. Connect WAN port to other network devices like modem.

C. Go to "Network" → "Interface" → "Link Failover" to enable WAN.

Link Failover Cellular Port WAN Bridge WLAN Switch Loopback

Link Priority

Priority	Enable Rule	Link in use	Interface	Connection Type	IP	Operation
1	<input checked="" type="checkbox"/>	●	WAN	Static	192.168.22.213	  
2	<input checked="" type="checkbox"/>	●	Cellular	DHCP	10.2.25.72	  
3	<input checked="" type="checkbox"/>	●	WLAN-2.4G	DHCP	192.168.3.147	  

D. Log in web GUI via WAN IP address and check the network connection.

6.2 Configure the Wi-Fi Connection

A. Go to “Network” → “Interface” → “WLAN” and select “Client” mode.

B. Click “Scan” to search for Wi-Fi access point. Select the available one and click “Join Network”.

Link Failover	Cellular	Port	WAN	Bridge	WLAN	Switch	Loopback
Gateway_F1B88F	6	-83dBm	Auto	24:E1:24:F1:B8:8F	No Encryption	2437MHz	Join Network
Gateway_F161F2	6	-88dBm	Auto	24:E1:24:F1:61:F2	No Encryption	2437MHz	Join Network
22-28-wifi-test	6	-79dBm	Auto	24:E1:24:F1:20:BD	No Encryption	2437MHz	Join Network
Gateway_F128C1	6	-66dBm	Auto	24:E1:24:F1:28:C1	No Encryption	2437MHz	Join Network

C. Type the key of Wi-Fi.

Link Failover	Cellular	Port	WAN	Bridge	WLAN
WLAN1-2.4G					
Enable	<input checked="" type="checkbox"/>				
Work Mode	Client				Scan
SSID	Milesight_HW				
BSSID	24:31:54:83:6E:C8				
Encryption Mode	WPA2-PSK				
Cipher	AES				
Key	*****				
IP Setting					
Protocol	DHCP Client				

D. Go to “Network” → “Interface” → “Link Failover” to enable WLAN.

Link Failover	Cellular	Port	WAN	Bridge	WLAN	Switch	Loopback	
Link Priority								
Priority	Enable Rule	Link in use	Interface	Connection Type	IP	Operation		
1	<input checked="" type="checkbox"/>	●	WLAN-2.4G	DHCP	192.168.3.147			
2	<input checked="" type="checkbox"/>	●	Cellular	DHCP	10.2.25.72			
3	<input checked="" type="checkbox"/>	●	WAN	Static	192.168.22.213			

E. Go to “Status” → “WLAN” to check Wi-Fi status. If it shows “Connected”, it means the device connects to Wi-Fi successfully.

Overview	Cellular	Network	<u>WLAN</u>	VPN	Routing	Host List	GPS
WLAN Status							
Name	Status	Type	SSID	IPv4 Address	IPv6 Address		
WLAN-2.4G	Connected	Client	Milesight_HW	192.168.3.147/24	-		
WLAN-5G	Running	AP	Router_F1E390_5G	192.168.213.1/24	-		

6.3 Configure the Cellular Connection

- Go to "Network" → "Interface" → "Cellular" → "Cellular Setting" page to enable cellular settings.
- Choose relevant network type and fill in SIM card information like APN or PIN code, then click "Save" and "Apply".

Link Failover	<u>Cellular</u>	Port	WAN	Bridge
Cellular Settings				
Protocol Type	IPv4			
APN	<input type="text"/>			
Username	<input type="text"/>			
Password	<input type="text"/>			
PIN Code	<input type="text"/>			
Access Number	<input type="text"/>			
Authentication Type	Auto			
Network Type	Auto			
SMS Center	<input type="text"/>			
Enable NAT	<input checked="" type="checkbox"/>			
Roaming	<input checked="" type="checkbox"/>			

- Go to "Network" → "Interface" → "Link Failover" to enable Cellular.

Link Failover	Cellular	Port	WAN	Bridge	WLAN	Switch	Loopback	
Link Priority								
Priority	Enable Rule	Link in use	Interface	Connection Type	IP	Operation		
1	<input checked="" type="checkbox"/>	●	Cellular	DHCP	10.2.25.72			
2	<input checked="" type="checkbox"/>	●	WLAN-2.4G	DHCP	192.168.3.147			
3	<input checked="" type="checkbox"/>	●	WAN	Static	192.168.22.213			

D. Go to “Status” → “Cellular” page to view the status of the cellular connection. If it shows “Connected”, it means the SIM has dialed up successfully. On the other hand, you can check the status of indicator. If it keeps light up statically, it means SIM has dialed up successfully.

Overview	Cellular	Network	WLAN	VPN	Routing	Host List	GPS
Modem		Network					
Status	Ready	Status	Connected				
Model	RG500Q-EA	IPv4 Address	10.2.25.72/28				
Version	RG500QEAAAR11A02M4G	IPv4 Gateway	10.2.25.73				
Signal Level	31asu (-51dBm)	IPv4 DNS	211.136.17.107				
Register Status	Registered (Home network)	IPv6 Address	fe80::7cf3:90ff:fe33:6151/64				
IMEI	866897040051965	IPv6 Gateway	::				
IMSI	460045927703652	IPv6 DNS	::				
ICCID	89860439101880723652	Connection Duration	1 days, 06:05:30				
ISP	CHINA MOBILE	Data Usage Monthly					
Network Type	LTE	RX	2.4 MiB				
PLMN ID	46000	TX	13.8 MiB				
LAC	592F	All	16.3 MiB				
				Manual Refresh		Refresh	

[END]