

IOT-S500AM

Ambience Monitoring Sensors Data Sheet



LINOVISION



◆ Introduction

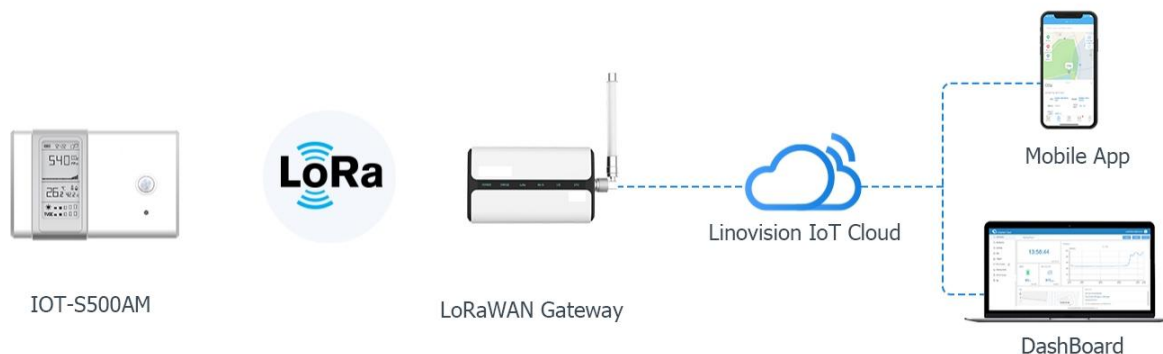
IOT-S505AM is a compact indoor ambience monitoring sensor including for measurement of temperature, humidity, light, CO₂ concentration, TVOC, barometric pressure and motion. These data will be shown on the E-ink screen in real-time, which allow to quantify the indoor environment and comfort. IOT-S505AM is widely used for offices, stores, classrooms, hospitals, etc.

Apart from screen display, sensor data is also transmitted using LoRaWAN[®] technology. With this low power consumption technology, IOT-S505AM can work for one year with 2 AA batteries. Combining with Linovision LoRaWAN[®] gateway and Linovision IoT Cloud solution, users can manage all sensor data remotely and visually.

◆ Features

- Integrated with multiple sensors like humidity, temperature, CO₂, light, barometric pressure, etc.
- Visual display via E-ink screen
- Standard AA batteries
- One year work without replacing batteries
- Equipped with NFC and type-C port for easy configuration
- Compliant with standard LoRaWAN[®] gateways and network servers
- Quickly and easily management with Linovision IoT Cloud solution

◆ Application Example



◆ Specifications

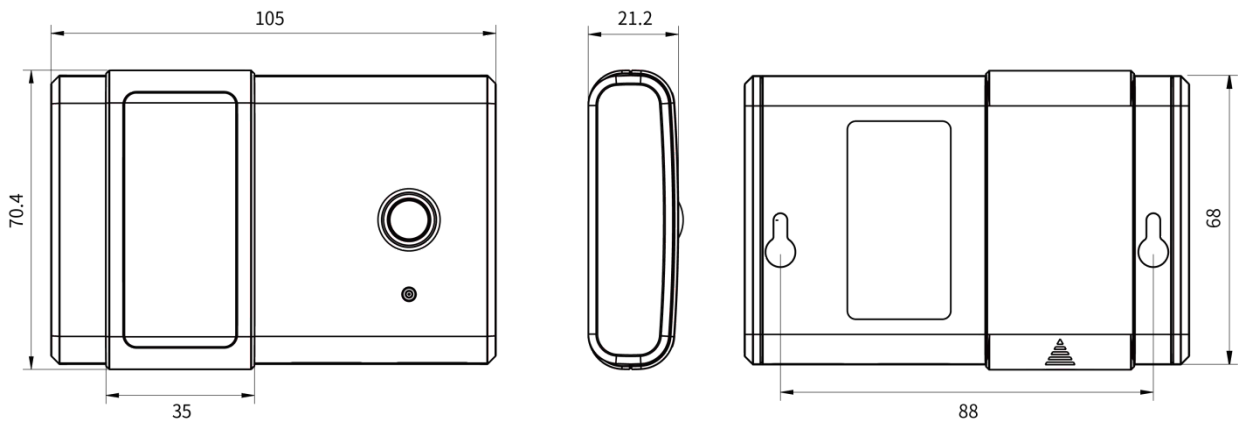
Model	IOT-S500AM	IOT-S500AM7
Wireless Transmission		
Technology	LoRaWAN®	
Frequency	CN470/IN865/RU864/EU868/US915/AU915/KR920/AS923	
Tx Power	16dBm(868)/20dBm(915)/19dBm(470)	
Sensitivity	-147dBm @300bps	
Mode	OTAA/ABP Class A	
Sensors		
Temperature		
Range	-20°C to + 70°C	
Accuracy	0°C to + 70°C (+/- 0.3°C), -20°C to 0°C (+/- 0.6°C)	
Resolution	0.1°C	
Humidity		
Range	0% to 100% RH	
Accuracy	10% to 90% RH (+/- 3%), below 10% and above 90% RH (+/- 5%)	
Resolution	0.5% RH	
PIR		
Detection Area	94 ° Horizontal, 82 ° Vertical	
Detection Distance	5 m	
Output Range	0-65535	
Light		
Range	60000 lux (Visible + IR, IR)	
Accuracy	±30%	
Carbon Dioxide (CO₂)		

Range	—	400 - 5000 ppm
Accuracy	—	±30 ppm or ±3 % of reading
Resolution	—	1 ppm
TVOC		
Range	—	0 - 60000 ppb
Accuracy	—	±15 %
Resolution	—	1 ppb
Long-term Stability	—	1.3 % accuracy drift per year
Barometric Pressure		
Range	—	300 - 1100 hPa (-40°C - 85°C)
Accuracy	—	±1 hPa
Resolution	—	0.1 hPa
Display & Configuration		
Display	2.13-inch Black & White E-Ink Screen	
Configuration	Mobile APP via NFC	
Physical Characteristics		
Power Supply	2 × AA Alkaline battery or Type-C port power supply	
Battery Life* (10 min interval)	1.5 years (SF7) 1.2 years (SF10)	0.9 years (SF7) 0.7 years (SF10) 1.1 years (VOC disabled , SF7) 0.9 years (VOC disabled , SF10)
Operating Temperature	0°C to +45°C	
Relative Humidity	0% to 100% (non-condensing)	
Ingress Protection	IP30	
Dimension	105 × 70.4 × 21.2 mm (4.1 × 2.8 × 0.8 in)	
Installation	Wall Mounting	
Approvals		
Regulatory	CE, FCC, LoRaWAN® Certified	
EMC	EN 55032, EN 55035	
EMS	IEC 61000-4-2 Level 3 IEC 61000-4-3 Level 2 IEC 61000-4-4 Level 4 IEC 61000-4-5 Level 3 IEC 61000-4-6 Level 3 IEC 61000-4-8 Level 4	

Radio Frequency	FCC Part 15B, FCC Part 15.247, EN 300 330, EN 301 489-1/3, EN 300 220-1/2
Safety	EN62368-1

* Tested under laboratory conditions and for guideline purposes only.

◆ Dimensions(mm)



◆ PIR Area

