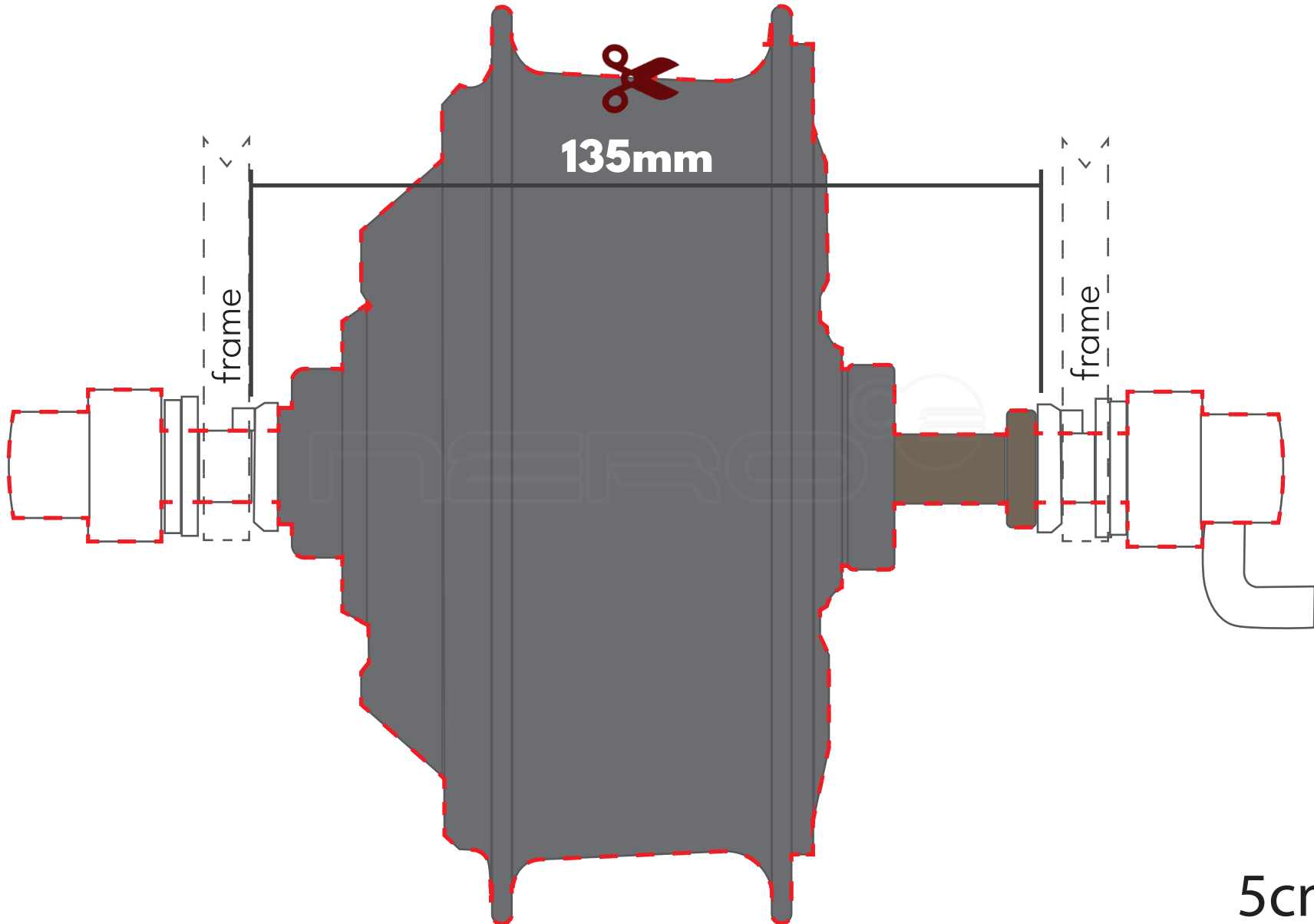


**MXUS**

**XF15(R)**

500W/750W  
36V/48V



135mm

frame

frame

5cm



**NERO<sup>®</sup>**

E Bike Installation Template by Nero E

Print on letter size (8.5x11) paper