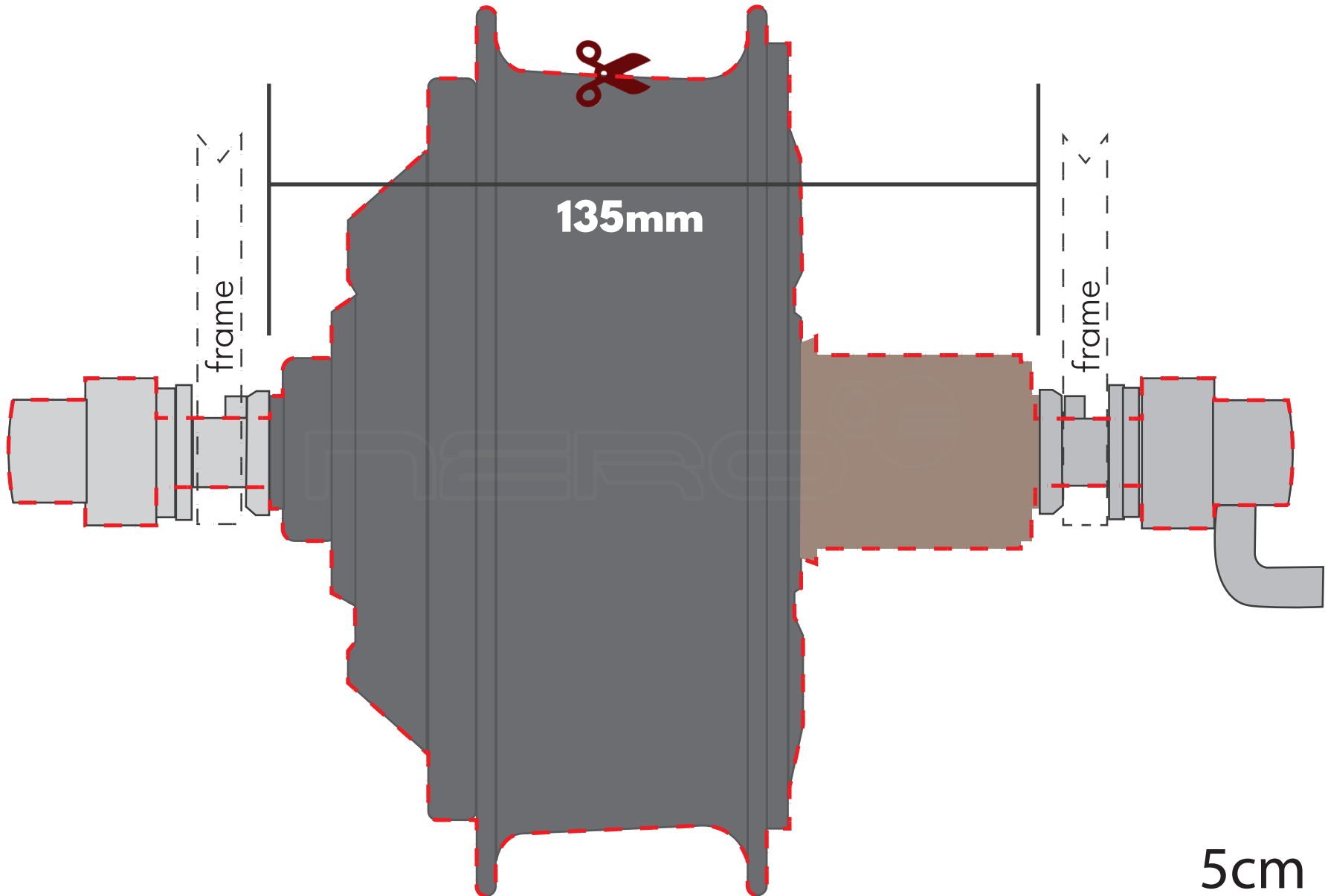


MXUS

XF15(C)

500W/750W
36V/48V



NERO 

E Bike Installation Template by Nero E

5cm



Print on letter size (8.5x11) paper