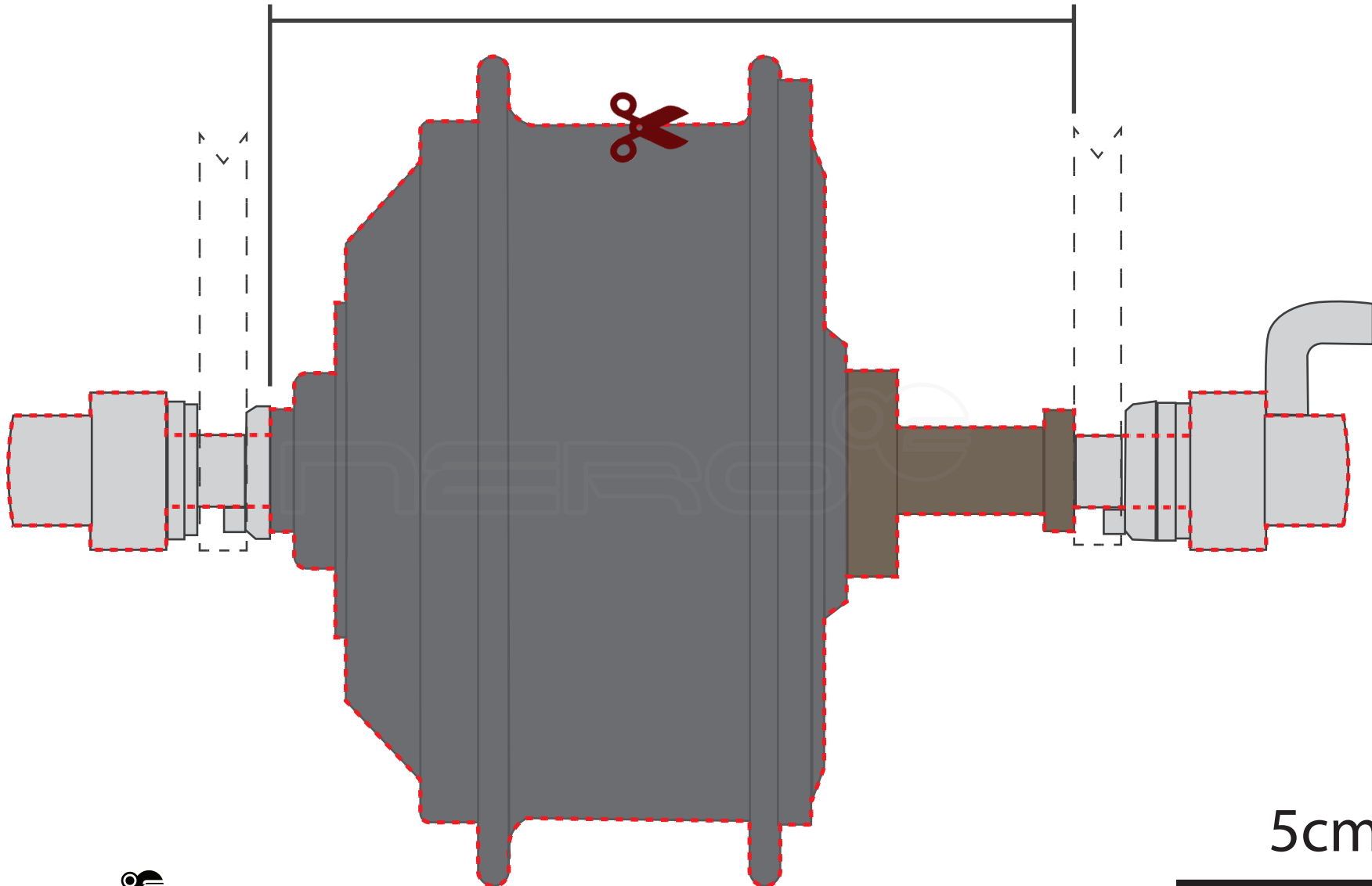


**MXUS**

**XF08(R)**

250W/350W  
36V/48V

**135mm**



**5cm**



**NERO** 

E Bike Installation Template by Nero E

Print on letter size (8.5x11) paper