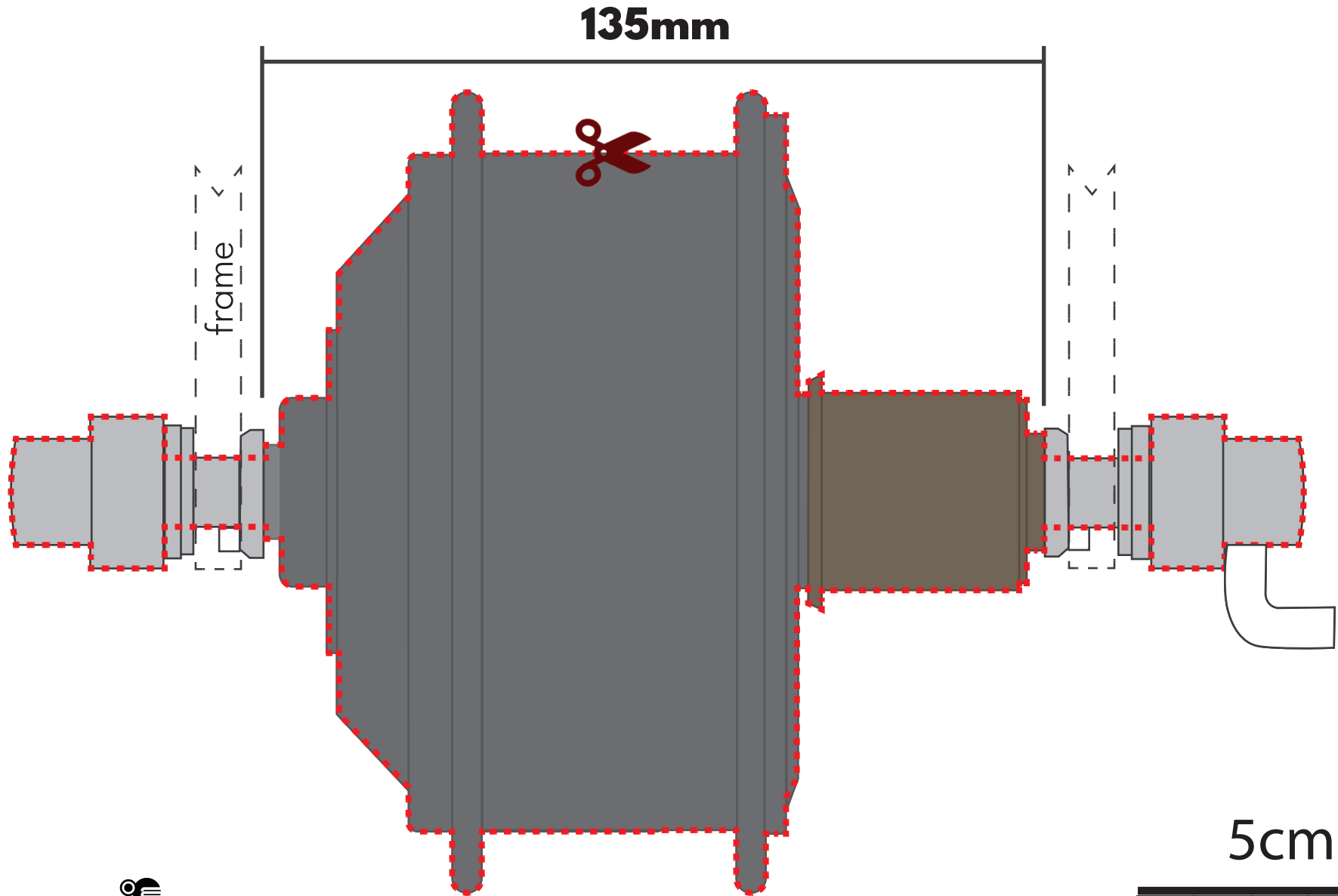


**MXUS**

**XF08(C)**

250W/350W  
36V/48V



**NERO** 

E Bike Installation Template by Nero E



Print on letter size (8.5x11) paper