

PROJECT NAME	
ORDERING #	TYPE



DETAILS

Easily replace most glass-lens metal halide wall packs with a wall pack that fully covers the old fixture's footprint so that wall discolorations or color changes due from weathering around the old fixture aren't exposed. Each selectable semi-cutoff wall pack comes with 3 wattage and 3 CCT options that can be set during install, so that each light is the right tone and output for its location. Photocell included for automatic dusk-to-dawn operation.



SPECIFICATIONS

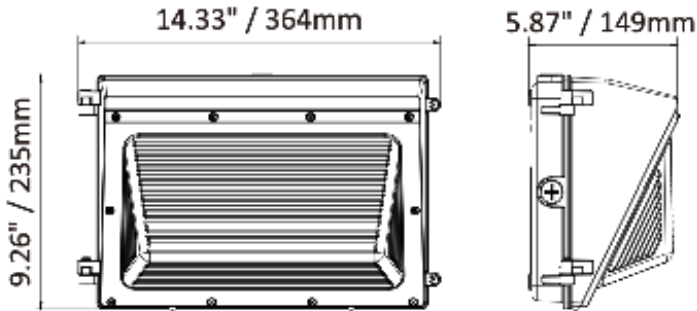
Input Power	Wattage is selectable at install 63W Model: 63W/45W/30W 108W Model: 108W/90W/63W
Input Voltage	120-277 VAC
Light Output	63W Model: Up to 8,910 lumens 108W Model: Up to 14,040 lumens
Efficiency	135 lm/W
CCT	3000K/4000K/5000K selectable at install
CRI	70
Average Lamp Life	50,000 hours
Dimming	0-10V
Controls	Photocell
Lens	Polycarbonate
Operating Temperature	-4°F to 113°F
Housing Color	Bronze
Certification	DLC, UL
Warranty	5 Years

ORDERING

Example: **WPCKSX063WSCSP**

SKU Root	Wattage / Lumens	CCT	Photocell
WPCKSX	063WS - 63W/45W/30W, Up to 8,910 lm 108WS - 108W/90W/63W, Up to 14,040 lm	CS - 3000K/4000K/5000K Selectable	P - With Photocell

DIMENSIONS



Glass lens

PHOTOMETRICS

