

Project Name: _____

Ordering #: _____ Type: _____



5 YEAR WARRANTY

OVERVIEW

| | |
|--------------------------------|------------------------------|
| Wattage (W) | 35W |
| Lumen Package (lm) | 2,975 lm |
| Color Temperature (CCT) | 3000K/4000K/5000K Selectable |
| Efficacy (lm/W) | 85 lm/W |



ORDERING GUIDE

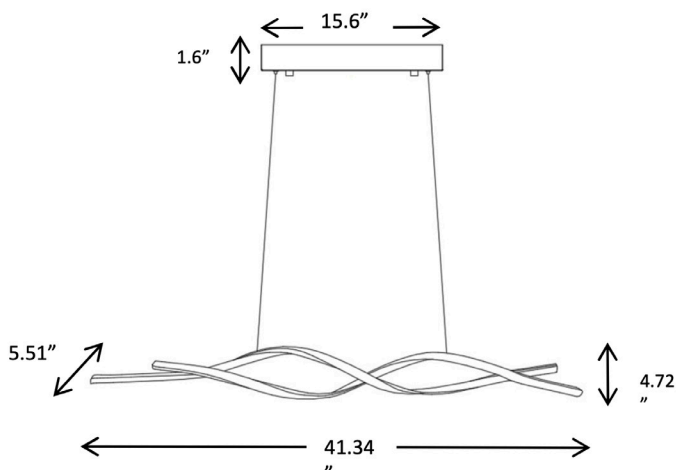
Example: **MMHPDL35WCS**

| SKU Root | Series | Wattage/Lumens | CCT |
|----------|---------------------------|--------------------------------|--|
| MMH | PDL - Pendant Linear Wave | 35W - 35W, 2,975 lumens | CS - 3000K/4000K/5000K Selectable |

PRODUCT DIMENSIONS

DIMENSIONS

| | |
|--------------------------|---|
| Product Dimension | 41.34" x 5.51" x 4.72" (Fixture only) 15.6" x 1.6" (Mounting base) |
| Weight | 4.50 lbs |
| Package Size | 1030mm x 150mm x 150mm / 40.55" x 5.9" x 5.9" (1 pc) |



SPECIFICATIONS

| | |
|-----------------------------|---------------------------------|
| Wattage & Lumens | 35W, 2,975 lumens |
| Efficacy | 85 lm/W |
| CCT | 3000K/4000K/5000K Selectable |
| CRI (Ra) | 80 |
| Controls | TRIAC Dimming CCT Selectable |
| Input Voltage | 120VAC, 60Hz |
| Average Lifetime | 50,000 hours |
| Pendant Cable Length | Max. 5ft |
| Finish | Chrome |
| Certifications | ETL |
| Warranty | 5 Years |