

Project Name: _____

Ordering #: _____ Type: _____



5 YEAR WARRANTY

OVERVIEW

Wattage (W)	35W
Lumen Package (lm)	4,200 lm
Color Temperature (CCT)	4000K
Efficacy (lm/W)	120 lm/W

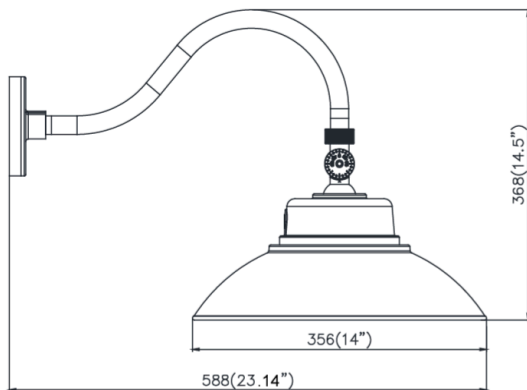


ORDERING GUIDE

Example: **GSN0135W40ULBR**

SKU Root	Wattage / Lumens	CCT	Voltage	Finish	Options
GSN01	35W - 35W, 4,200 lumens	40 - 4000K	UL - 120-277VAC	BR - Bronze	Blank - None

PRODUCT DIMENSIONS



SPECIFICATIONS

Wattage & Lumens	35W, 4,200 lumens
Efficacy	120 lm/W
CCT	4000K
CRI (Ra)	>80
Input Voltage	120-277VAC
Average Lifetime	50,000 hours
Beam Angle	101° x 101°
IP Rating	IP65
Dimensions	23.14" x 14.5" x 14"
Certifications	DLC, UL
Warranty	5 Years