

NFLAT

4" & 6" Can-less Non-Metallic Flat LED Downlight with Selectable CCT

Source: 10W or 13.5W

700lm or 1050lm

PRODUCT DESCRIPTION

Boasting Selectable CCT ranging from 2700K to 5000K, our NFLAT recessed LED downlight provides a wide variety of color temperature options to suit your lighting preferences. This chic matte powder white luminaire exudes quality, yet is convenient and easy to install for any application. Tunable white luminaires include an integral tunable CCT switch located on the junction box of each luminaire with a quick connect that allows for easy disconnect and mounting in the ceiling.

FEATURES

- No housing required - IC Air-Tight rated
- Easy installation for remodel or new construction applications
- Aluminum back plate for effective heat dissipation
- Quick disconnect allows for extended lengths
- Delivering up to 1050 lumens
- Five color temperatures in each fixture (2700K / 3000K / 3500K / 4000K / 5000K)
- 120Vac input; Triac or ELV dimming
- 5-year limited warranty
- cETLus Listed for Wet Locations

SPECIFICATION

Construction: Dead front (non-metallic) flat LED luminaire with spring clips for easy installation. Gasket included for air-tight and wet location listing without additional caulking.

Air Flow Restriction: Luminaire restricts airflow from room into ceiling plenum to <2CFM (cubic feet per minute) in accordance with ASTM-283 Air-Tight requirements.

Clearance: IC rated luminaires are rated for direct contact with insulation (not spray foam insulation), no minimum clearance is required.

Junction Box: Pre-wired junction box includes quick connect to LED fixtures for ease of installation. Junction box includes two 1/2" and two 3/8" trade size knockouts and snap on cover with 10" quick connect wire. Luminaire includes 6" quick connect wire. Maximum of 4 No. 12 AWG through branch circuit conductor suitable for 90°C permitted in box.

Maximum length between luminaire and driver is 40'. For longer remote driver remote run length, consult factory.

Mounting: No housing is required, two tensions steel spring clips secure luminaire to ceiling. Accommodates ceiling thickness up to 15/16". New construction frames are available.

ELECTRICAL

Input Voltage: 120Vac

Lumens / Wattage: 700lm / 10W or 1050lm / 13.5W

Color Temperature: Selectable CCT: 2700K / 3000K / 3500K / 4000K / 5000K (Note: Preset to 3000K)

Color Rendering Index: 90+ CRI

Beam Spread: 113° Wide Flood

Operating Temperature: 0-40°C

Dimming: Triac or ELV

[Click Here](#) or check complete dimmer list at www.Nora-Lighting.com in the "Compatibility" page under "Resources" tab

OPTIONAL ACCESSORIES

NEFLINTW-4OR-MPW: Oversize Ring for NFLAT-R4TWMPW

NEFLINTW-6OR-MPW: Oversize Ring for NFLAT-R6TWMPW

NEFLINTW-EW-4: 4' Extension Cable

NEFLINTW-EW-20: 20' Extension Cable

NF-R246: Universal New Construction Frame-In for 4" & 6"

NFC-R430: New Construction Frame-In with Collar for 4"

NFP-R413: New Construction Plate for NFLAT-R4TWMPW

NFP-R613: New Construction Plate for NFLAT-R6TWMPW

LABELS AND LISTINGS

- cETLus Listed for Wet Locations
- ENERGY STAR® certified
- [5-Year Limited Warranty](#)
- Certified to the high efficacy requirements of California Title 24 JA8-2022
- FCC compliant



Type

Project

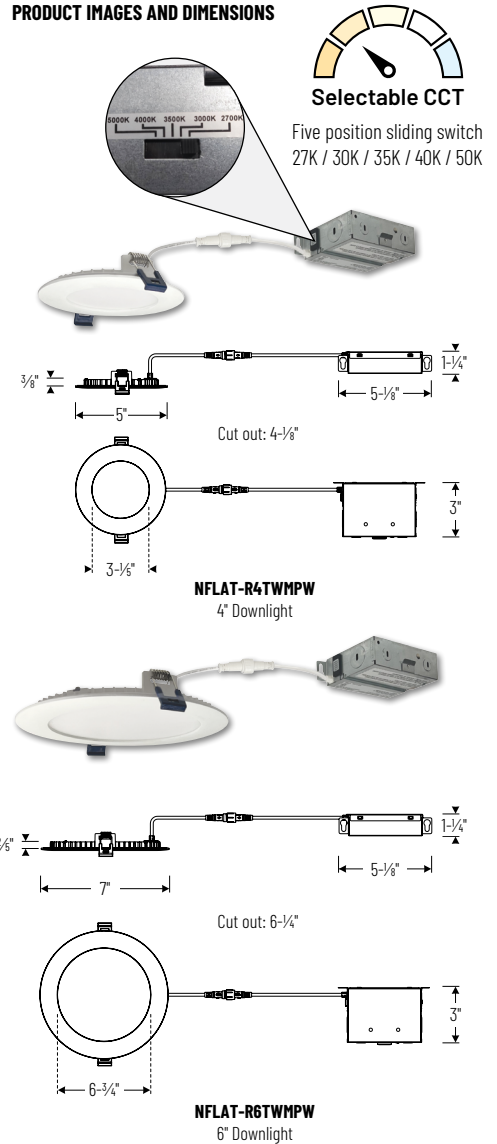
Catalog No.

Notes

Performance Data

Part Number	4" Lumens	6" Lumens	CCT
NFLAT-RXTWMPW	640lm	958lm	2700K
NFLAT-RXTWMPW	681lm	1060lm	3000K
NFLAT-RXTWMPW	726lm	1090lm	3500K
NFLAT-RXTWMPW	740lm	1088lm	4000K
NFLAT-RXTWMPW	708lm	1059lm	5000K

PRODUCT IMAGES AND DIMENSIONS



4" & 6" Can-less Non-Metallic Flat LED Downlight with Selectable CCT

Description

NFLAT-R4TWMPW = 4" LED Downlight with Selectable CCT, 700lm / 10W, Matte Powder White Finish

NFLAT-R6TWMPW = 6" LED Downlight with Selectable CCT, 1050lm / 13.5W, Matte Powder White Finish

Optional Accessories

Description

NEFLINTW-4OR-MPW = Oversize Ring for NFLAT-R4TWMPW

NEFLINTW-6OR-MPW = Oversize Ring for NFLAT-R6TWMPW

NEFLINTW-EW-4 = 4' Extension Cable

NEFLINTW-EW-20 = 20' Extension Cable

NF-R246 = Universal New Construction Frame-In for 4" & 6"

NFC-R430 = New Construction Frame-In with Collar for NFLAT-R4TWMPW

NFP-R413 = New Construction Plate for NFLAT-R4TWMPW

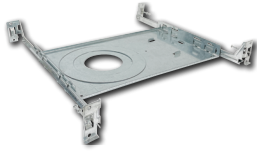
NFP-R613 = New Construction Plate for NFLAT-R6TWMPW

Example: **NFLAT-R6TWMPW** = 6" Can-less Non-Metallic Flat LED Downlight with Selectable CCT, 1050lm / 13.5W, Matte Powder White Finish

NFLAT

4" & 6" Can-less Non-Metallic Flat LED Downlight with Selectable CCT Accessories

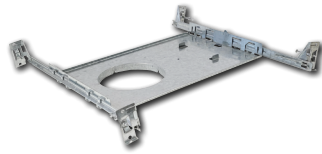
Type	_____
Project	_____
Catalog No.	_____
Notes	_____



Universal New Construction Frame-In for 4" & 6"

NF-R246

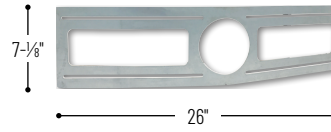
New construction frame-in can be used to assist installing can-less recessed downlighting. Helps indicate wiring location and cutting guide.



New Construction Frame-In with Collar for NFLAT-R4TWMPW

NFC-R430

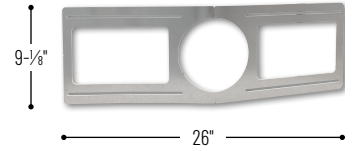
New construction frame-in can be used to assist installing can-less recessed downlighting.



New Construction Plate for NFLAT-R4TWMPW

NFP-R413

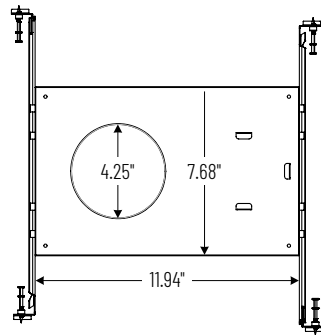
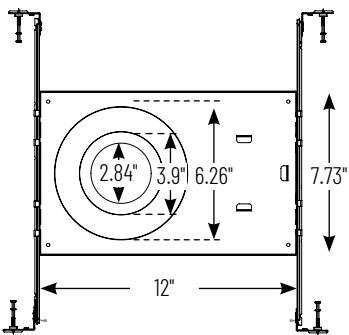
New construction plates can be used to assist installing canless recessed downlighting. Helps indicate wiring location and cutting guide.



New Construction Plate for NFLAT-R6TWMPW

NFP-R613

New construction plates can be used to assist installing canless recessed downlighting. Helps indicate wiring location and cutting guide.



Quick Connect Extension Linkable Cables

NEFLINTW-EW-4

4' Cable

NEFLINTW-EW-20

10' Cable

Use to extend the length between luminaire and driver enclosure. Can be connected together to create custom lengths. Maximum length between luminaire and driver is 40'. For longer remote driver remote run length, consult factory.



Oversize Ring for NFLAT-R4TWMPW

NEFLINTW-40R-MPW

Oversize ring covers ceiling cut-outs up to 5-1/4"



Oversize Ring for NFLAT-R6TWMPW

NEFLINTW-60R-MPW

Oversize ring covers ceiling cut-outs up to 7-1/4"

PHOTOMETRICS

4" Can-less Non-Metallic Flat LED Downlight with Selectable CCT

Type

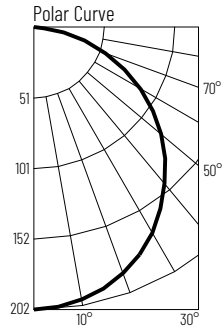
Project

Catalog No.

Notes

Test Information

Test Number: NTS211R1
 Part Number: NFLAT-R4TWMPW
 Beam Spread: 114° Wide Flood
 Lumens: 640lm
 Wattage: 9.26W
 Efficacy: 69lpw
 CCT / CRI: 2700K / 90 CRI
 Spacing Criteria (0°-180°): 1.26
 Spacing Criteria (90°-270°): 1.26



Illuminance at a Distance

Distance from Luminaire	FC at Nadir	Beam Diameter
4'	13.9fc	12'-0"
6'	6.2fc	18'-1"
8'	3.5fc	24'-1"
10'	2.2fc	30'-1"
12'	1.5fc	36'-1"

Zonal Lumen Summary

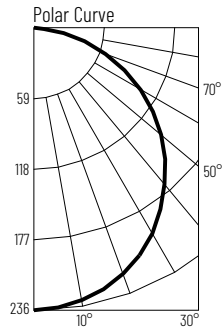
Zone	Lumens	% Luminaire
0-30	172	26.9
0-40	281	44
0-60	498	77.8
0-90	640	100
90-180	0	0
0-180	640	100

Candela Table

Vertical Angles	Candela
0	222
5	220
15	212
25	197
35	174
45	145

Test Information

Test Number: NTS212R1
 Part Number: NFLAT-R4TWMPW
 Beam Spread: 113° Wide Flood
 Lumens: 681lm
 Wattage: 9.12W
 Efficacy: 75lpw
 CCT / CRI: 3000K / 90 CRI
 Spacing Criteria (0°-180°): 1.26
 Spacing Criteria (90°-270°): 1.26



Illuminance at a Distance

Distance from Luminaire	FC at Nadir	Beam Diameter
4'	14.7fc	12'-0"
6'	6.6fc	18'-1"
8'	3.7fc	24'-1"
10'	2.4fc	30'-1"
12'	1.6fc	36'-1"

Zonal Lumen Summary

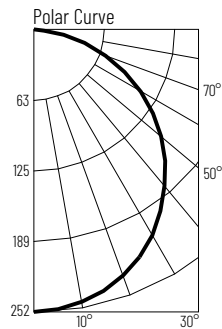
Zone	Lumens	% Luminaire
0-30	183	26.9
0-40	300	44
0-60	530	77.9
0-90	681	100
90-180	0	0
0-180	681	100

Candela Table

Vertical Angles	Candela
0	236
5	235
15	226
25	209
35	185
45	154

Test Information

Test Number: NTS213R1
 Part Number: NFLAT-R4TWMPW
 Beam Spread: 113° Wide Flood
 Lumens: 726lm
 Wattage: 8.91W
 Efficacy: 81lpw
 CCT / CRI: 3500K / 90 CRI
 Spacing Criteria (0°-180°): 1.26
 Spacing Criteria (90°-270°): 1.26



Illuminance at a Distance

Distance from Luminaire	FC at Nadir	Beam Diameter
4'	15.7	12'-0"
6'	7.0fc	18'-0"
8'	3.9fc	24'-1"
10'	2.5fc	30'-1"
12'	1.8fc	36'-1"

Zonal Lumen Summary

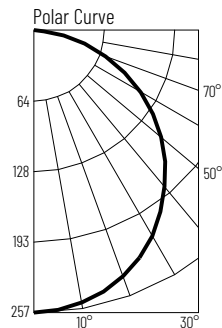
Zone	Lumens	% Luminaire
0-30	161	26.9
0-40	268	44.1
0-60	549	78.2
0-90	726	100
90-180	0	0
0-180	726	100

Candela Table

Vertical Angles	Candela
0	252
5	251
15	241
25	223
35	197
45	165

Test Information

Test Number: NTS214R1
 Part Number: NFLAT-R4TWMPW
 Beam Spread: 113° Wide Flood
 Lumens: 740lm
 Wattage: 8.95W
 Efficacy: 83lpw
 CCT / CRI: 4000K / 90 CRI
 Spacing Criteria (0°-180°): 1.26
 Spacing Criteria (90°-270°): 1.28



Illuminance at a Distance

Distance from Luminaire	FC at Nadir	Beam Diameter
4'	16fc	12'-0"
6'	7.1fc	18'-0"
8'	4.0fc	24'-1"
10'	2.6fc	30'-1"
12'	1.8fc	36'-1"

Zonal Lumen Summary

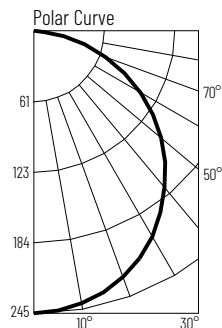
Zone	Lumens	% Luminaire
0-30	199	26.9
0-40	326	44.1
0-60	576	77.9
0-90	740	100
90-180	0	0
0-180	740	100

Candela Table

Vertical Angles	Candela
0	257
5	255
15	245
25	228
35	201
45	168

Test Information

Test Number: NTS215R1
 Part Number: NFLAT-R4TWMPW
 Beam Spread: 113° Wide Flood
 Lumens: 708lm
 Wattage: 9.32W
 Efficacy: 76lpw
 CCT / CRI: 5000K / 90 CRI
 Spacing Criteria (0°-180°): 1.26
 Spacing Criteria (90°-270°): 1.26



Illuminance at a Distance

Distance from Luminaire	FC at Nadir	Beam Diameter
4'	15.3fc	12'-0"
6'	6.8fc	18'-0"
8'	3.8fc	24'-1"
10'	2.5fc	30'-1"
12'	1.7fc	36'-1"

Zonal Lumen Summary

Zone	Lumens	% Luminaire
0-30	157	22.2
0-40	262	37
0-60	535	75.6
0-90	708	100
90-180	0	0
0-180	708	100

Candela Table

Vertical Angles	Candela
0	245
5	244
15	235
25	217
35	192
45	161

PHOTOMETRICS

6" Can-less Non-Metallic Flat LED Downlight with Selectable CCT

Type

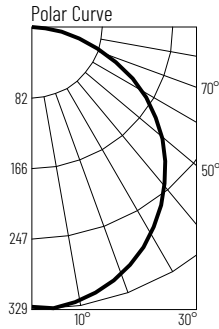
Project

Catalog No.

Notes

Test Information

Test Number: NTS216R1
 Part Number: NFLAT-R6TWMPW
 Beam Spread: 113° Wide Flood
 Lumens: 958lm
 Wattage: 12.7W
 Efficacy: 75lpw
 CCT / CRI: 2700K / 90 CRI
 Spacing Criteria (0°-180°): 1.26
 Spacing Criteria (90°-270°): 1.28



Illuminance at a Distance

Distance from Luminaire	FC at Nadir	Beam Diameter
4'	20.6fc	12'-2"
6'	9.1fc	18'-4"
8'	5.1fc	24'-5"
10'	3.3fc	30'-6"
12'	2.3fc	36'-7"

Zonal Lumen Summary

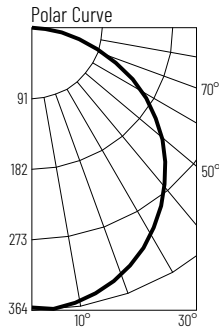
Zone	Lumens	% Luminaire
0-30	256	26.7
0-40	419	43.7
0-60	743	77.5
0-90	958	100
90-180	0	0
0-180	958	100

Candela Table

Vertical Angles	Candela
0	329
5	328
15	316
25	294
35	261
45	219

Test Information

Test Number: NTS217R1
 Part Number: NFLAT-R6TWMPW
 Beam Spread: 113° Wide Flood
 Lumens: 1060lm
 Wattage: 12.3 W
 Efficacy: 86lpw
 CCT / CRI: 3000K / 90 CRI
 Spacing Criteria (0°-180°): 1.26
 Spacing Criteria (90°-270°): 1.28



Illuminance at a Distance

Distance from Luminaire	FC at Nadir	Beam Diameter
4'	22.8fc	12'-2"
6'	10.1fc	18'-4"
8'	5.7fc	24'-5"
10'	3.6fc	30'-6"
12'	2.5fc	36'-7"

Zonal Lumen Summary

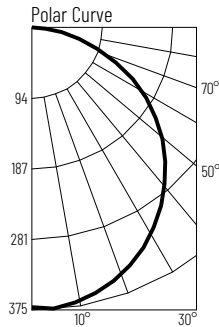
Zone	Lumens	% Luminaire
0-30	283	26.7
0-40	464	43.7
0-60	822	77.5
0-90	1060	100
90-180	0	0
0-180	1060	100

Candela Table

Vertical Angles	Candela
0	364
5	363
15	350
25	326
35	289
45	242

Test Information

Test Number: NTS218R1
 Part Number: NFLAT-R6TWMPW
 Beam Spread: 114° Wide Flood
 Lumens: 1090lm
 Wattage: 12.2W
 Efficacy: 89lpw
 CCT / CRI: 3500K / 90 CRI
 Spacing Criteria (0°-180°): 1.26
 Spacing Criteria (90°-270°): 1.28



Illuminance at a Distance

Distance from Luminaire	FC at Nadir	Beam Diameter
4'	23.4fc	12'-2"
6'	10.4fc	18'-4"
8'	5.9fc	24'-4"
10'	3.8fc	30'-5"
12'	2.6fc	36'-6"

Zonal Lumen Summary

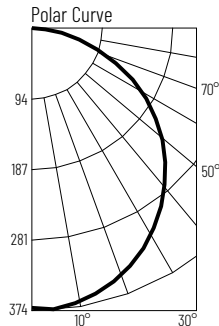
Zone	Lumens	% Luminaire
0-30	241	22.1
0-40	400	36.7
0-60	821	75.3
0-90	1090	100
90-180	0	0
0-180	1090	100

Candela Table

Vertical Angles	Candela
0	375
5	373
15	360
25	334
35	297
45	249

Test Information

Test Number: NTS219R1
 Part Number: NFLAT-R6TWMPW
 Beam Spread: 114° Wide Flood
 Lumens: 1088lm
 Wattage: 12.51W
 Efficacy: 87lpw
 CCT / CRI: 4000K / 90 CRI
 Spacing Criteria (0°-180°): 1.26
 Spacing Criteria (90°-270°): 1.28



Illuminance at a Distance

Distance from Luminaire	FC at Nadir	Beam Diameter
4'	23.4fc	12'-2"
6'	10.4fc	18'-4"
8'	5.8fc	24'-5"
10'	3.7fc	30'-6"
12'	2.6fc	36'-7"

Zonal Lumen Summary

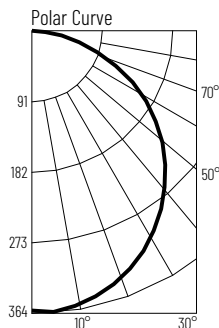
Zone	Lumens	% Luminaire
0-30	291	26.7
0-40	476	43.8
0-60	844	77.5
0-90	1088	100
90-180	0	0
0-180	1088	100

Candela Table

Vertical Angles	Candela
0	374
5	372
15	359
25	334
35	296
45	249

Test Information

Test Number: NTS220R1
 Part Number: NFLAT-R6TWMPW
 Beam Spread: 114° Wide Flood
 Lumens: 1059lm
 Wattage: 12.754W
 Efficacy: 83lpw
 CCT / CRI: 5000K / 90 CRI
 Spacing Criteria (0°-180°): 1.26
 Spacing Criteria (90°-270°): 1.28



Illuminance at a Distance

Distance from Luminaire	FC at Nadir	Beam Diameter
4'	22.7fc	12'-2"
6'	10.1fc	18'-4"
8'	5.7fc	24'-5"
10'	3.6fc	30'-6"
12'	2.5fc	36'-7"

Zonal Lumen Summary

Zone	Lumens	% Luminaire
0-30	233.5	22.1
0-40	389	36.7
0-60	797	75.3
0-90	1059	100
90-180	0	0
0-180	1059	100

Candela Table

Vertical Angles	Candela
0	364
5	362
15	349
25	325
35	288
45	242