

LED Canopy Light Installation Instructions

Please read this manual carefully before using the product

Upon receipt of fixture, thoroughly inspect for any freight damage. All damage should be reported to the delivery carrier. Compare the catalog description listed on the packing slip with the fixture label on the inside of the housing to be sure you have received the correct merchandise.

READ AND FOLLOW THESE SAFETY INSTRUCTIONS!

- To reduce the risk of death, personal injury or property damage from fire, electric shock, falling parts, cuts/abrasions, and other hazards please read all warnings and instructions included with and on the fixture box and all fixture labels.
- Before installing, servicing, or performing routine maintenance on this equipment, follow these general precautions.
- Commercial installation, service and maintenance of luminaires should be performed by a qualified licensed electrician.
- For Residential installation: If you are unsure about the installation or maintenance of the luminaires, consult a qualified licensed electrician and check your local electrical code.
- Maintenance of the luminaires should be performed by person(s) familiar with the luminaires' construction and operation and any hazards involved. Regular fixture maintenance programs are recommended.
- This fixture is intended to be connected to a properly installed and grounded UL listed junction box.
- It will occasionally be necessary to clean the outside of the refractor/lens. Refractor/lens should be washed in a solution of warm water and any mild, non-abrasive household detergent, rinsed with clean water and wiped dry. Should optical assembly become dirty on the inside, wipe refractor/lens and clean in above manner, replacing damaged gaskets as necessary.
- DO NOT INSTALL DAMAGED PRODUCT! This luminaire has been properly packed so that no parts should have been damaged during transit. Inspect to confirm.
- Any part damaged or broken during or after assembly should be replaced.
- These instructions do not purport to cover all details or variations in equipment nor to provide every possible contingency to meet in connection with installation, operation, or maintenance. Should further information be desired or should particular problems arise which are not covered sufficiently for the purchaser's or owner's purposes, this matter should be referred to manufacturer.

WARNING RISK OF ELECTRIC SHOCK

- ▶ Disconnect or turn off power before installation or servicing.
- ▶ Verify that supply voltage is correct by comparing it with the luminaire label information.
- ▶ Make all electrical and grounded connections in accordance with the National Electrical Code (NEC) and any applicable local code requirements.
- ▶ All wiring connections should be capped with UL approved wire connectors.

CAUTION RISK OF INJURY

- ▶ Wear gloves and safety glasses at all times when removing luminaire from carton, installing, servicing or performing maintenance.
- ▶ Avoid direct eye exposure to the light source while it is on.

WARNING RISK OF BURN

- ▶ Allow lamp/fixture to cool before handling. Do not touch enclosure, lens or light source.
- ▶ Do not exceed maximum wattage marked on luminaire label.
- ▶ Follow all manufacturer's warnings, recommendations and restrictions including but not limited to: driver type, mounting locations/methods, replacement and recycling.
- ▶ Use only lamps that comply with ANSI standards.

CAUTION RISK OF FIRE

- ▶ Keep combustible and other materials that can burn, away from lamp/lens.
- ▶ Do not operate in close proximity to persons, combustible materials, or substances affected by heat.

CAUTION RISK OF PRODUCT DAMAGE

- ▶ Never connect components under load.
- ▶ Do not mount or support these fixtures in a manner that can cut the outer jacket or damaged wire insulation.
- ▶ Unless individual product specifications deem otherwise: Never connect an LED product directly to dimmer packs, occupancy sensors, timing devices, or other control devices. LED fixtures must be powered directly off a switched circuit.
- ▶ Unless individual product specifications deem otherwise: Do not restrict fixture ventilation. Allow for some volume of airspace around the fixture. Avoid covering LED fixtures with insulation, foam, or other material that will prevent convection or cooling.
- ▶ Unless individual product specifications deem otherwise: Do not exceed fixtures' maximum ambient temperature.
- ▶ Only use the fixture in its intended location.
- ▶ LED products are polarity sensitive. Ensure proper polarity before installation.
- ▶ Electrostatic Discharge (ESD): ESD can damage LED fixtures. Personal grounding equipment must be worn during all installation or servicing of the unit.
- ▶ Do not touch individual electrical components as this can cause ESD, shorten lamp life, or alter performance.
- ▶ Some components inside the fixture may not be serviceable. If your unit require service, stop using the unit immediately and contact an representative for assistance.
- ▶ Changes or modifications not expressly approved by manufacturer will void the product warranty.
- ▶ Always read the fixtures' complete installation instructions prior to installation for any additional fixture-specific warnings.

» Parts List

- Junction box mounting plate (1PCS)
- Phillips screw M4 (1PCS)

LED Canopy Light Installation Instructions

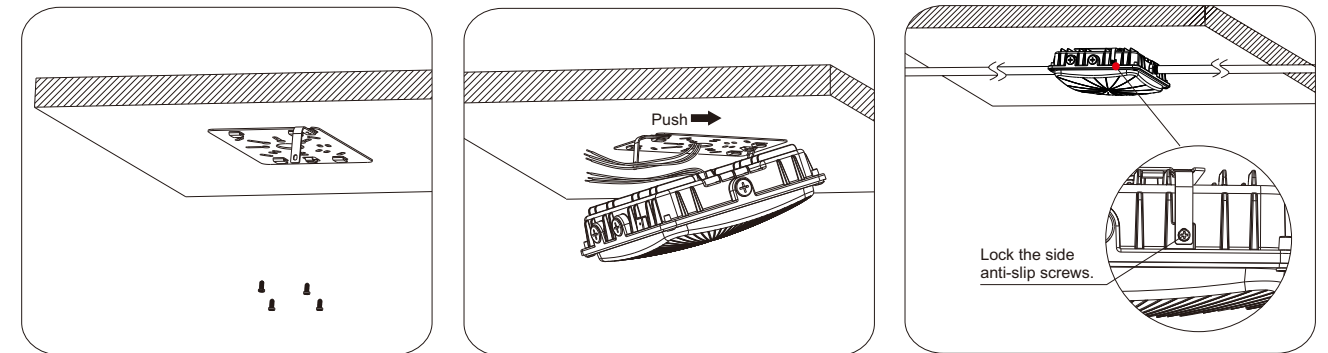
Please read this manual carefully before using the product

» Installation instructions

1. Remove the junction box mounting plate from the top of the fixture by loosening one side screw and sliding the fixture plate out from the holding brackets on the top of the casting.
2. Install the mounting plate to the junction box with two or four screws (not provided). The bracket should be positioned to allow the fixture to be "square" with the sides of the canopy the fixture is mounted to.
3. Hang the fixture from support spring while wiring the unit. Bring the fixture input wires from the top of the fixture and connect to the power leads in the junction box – black to black (hot), white to white (neutral), and green to green (ground).
4. Connect the main housing to the junction box bracket. Hold in place while reinstalling one side locking screw.
5. Turn on the power. The fixture will come to full output in several seconds.

Note: Do not remove the bottom lens or touch the LED optics. All LEDs are preinstalled and ready to operate.

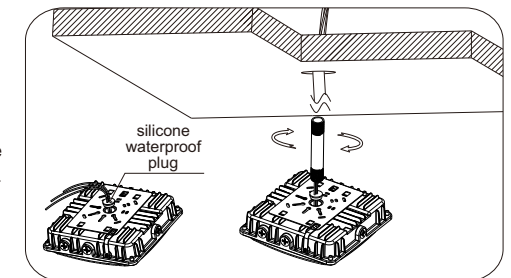
Note: To weatherproof your outdoor installation, all gaskets must be seated properly and all screws inserted and tightened firmly. Apply weatherproof silicone sealant around all edges between the fixture housing and mounting surface.



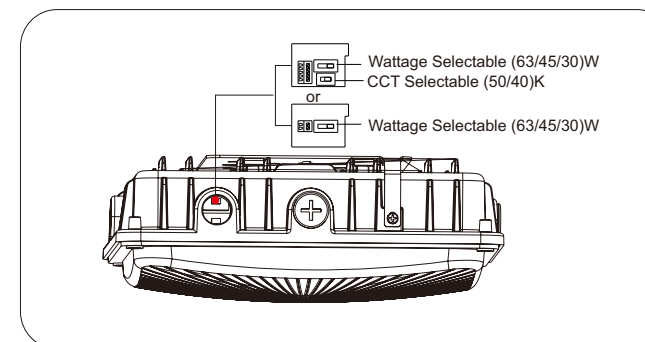
» Pendant Mounting

1. After passing the silicone waterproof plug through the outlet, plug it in the top outlet hole G3/4 tooth tube.
2. Feed input leads through a 6"x 3/4" threaded conduit pipe (not supplied), and screw conduit pipe into fixture threading.
3. Attach fixture with conduit pipe to the junction box.
4. Bring the fixture input wires from conduit pipe and connect to the power leads in the junction box black to black (hot), white to white (neutral), and green to green (ground).
5. Reconnect power at circuit breaker and test fixture. Full output should occur within seconds.

Note: Do not remove the bottom lens or touch the LED optics. All LEDs are preinstalled and ready to operate.



» Wattage & CCT Selectable



» Wiring diagram

