

Project Name: _____

Ordering #: _____ Type: _____



OVERVIEW	
Wattage (W)	63W/45W/30W 108W/90W/63W
Lumen Package (lm)	Up to 14,040 lm
Color Temperature (CCT)	3000K/4000K/5000K Selectable
Efficacy (lm/W)	135 lm/W

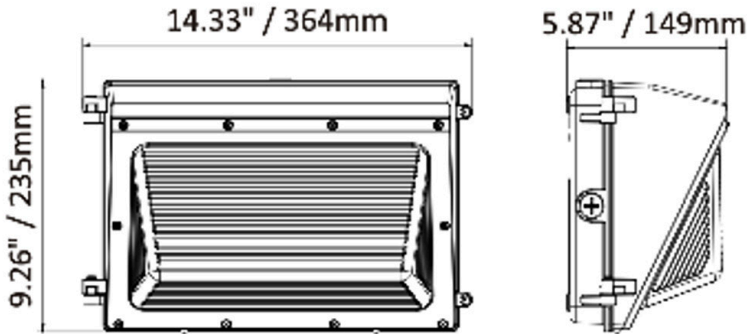


ORDERING GUIDE

Example: **WPCKSX063WSCSP**

SKU Root	Wattage / Lumens	CCT	Photocell
WPCKSX	063WS - 63W/45W/30W, Up to 8,910 lumens 108WS - 108W/90W/63W, Up to 14,040 lumens	CS - 3000K/4000K/5000K Selectable	P - With Photocell

PRODUCT DIMENSIONS



Glass lens

SPECIFICATIONS

Wattage & Lumens	65W/45W/30W, Up to 8,910 lumens 108W/90W/63W, Up to 14,040 lumens
Efficacy	135 lm/W
CCT	3000K/4000K/5000K Selectable
CRI (Ra)	70
Controls	0-10V Dimming CCT & Power Selectable Photocell
Input Voltage	120-277VAC
Average Lifetime	50,000 hours
Lens	Polycarbonate
Housing Color	Bronze
Certifications	DLC, UL
Warranty	5 Years