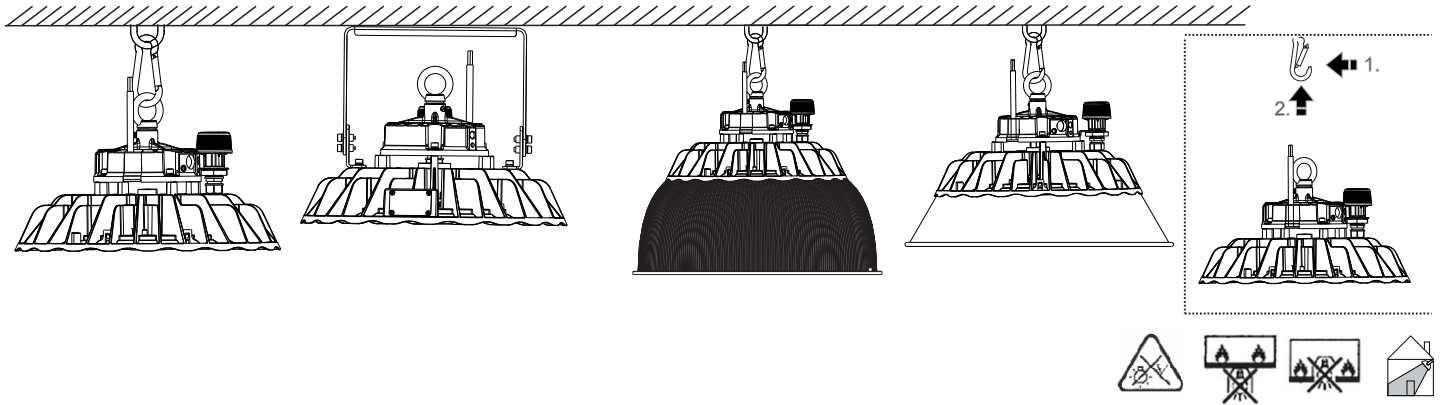
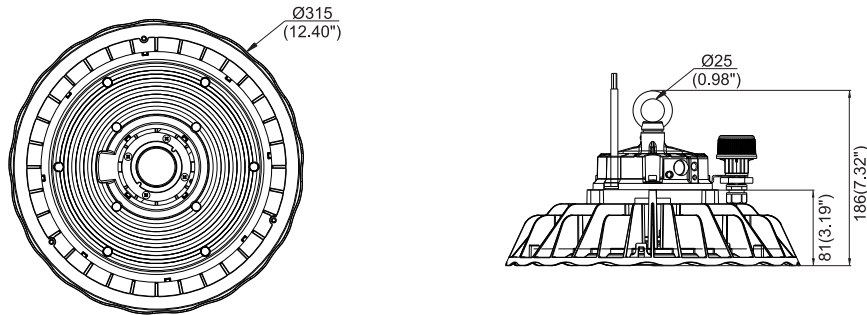


LED High Bay Light

Instruction Manual



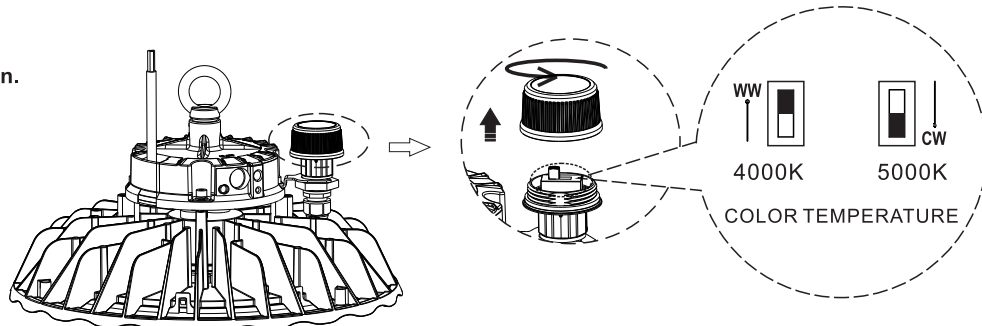
Physical Dimensions(Unit: mm/inch)



100W/200W

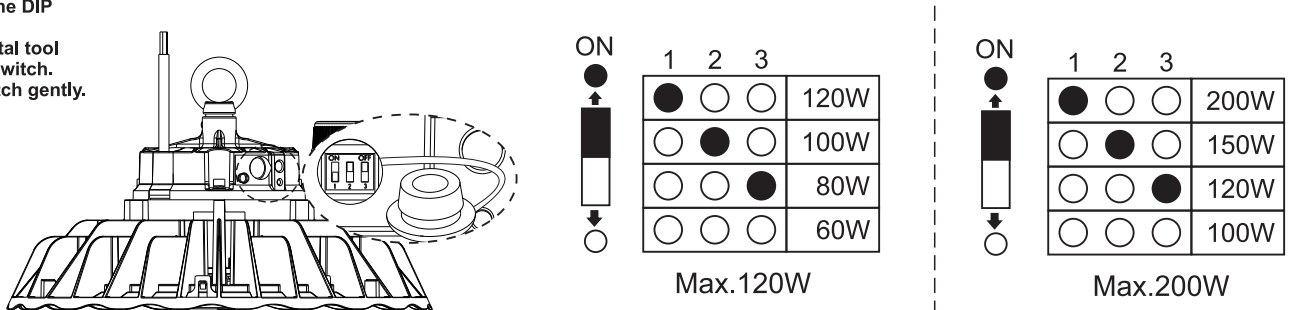
CCT Selectable

Please select a suitable CCT by the DIP switch before installation.

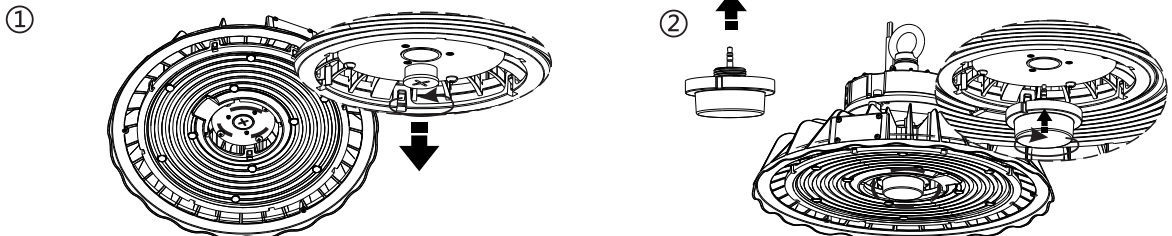


Adjustable power

Caution:
Pls power off the luminaire before adjusting the DIP switch.
Pls do not use metal tool to adjust the DIP switch.
Pls adjust the switch gently.

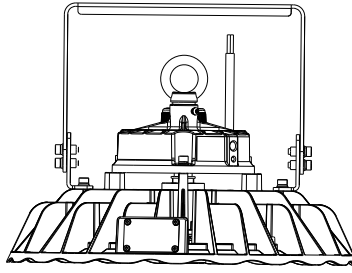
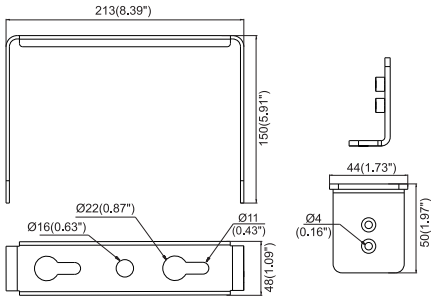


Motion sensor

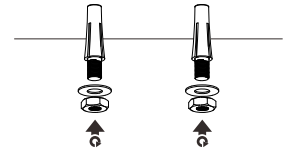


LED High Bay Light

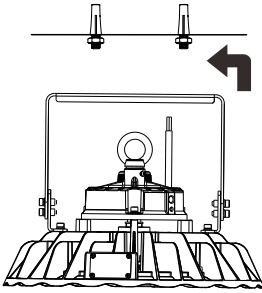
Instruction Manual Ceiling Mount



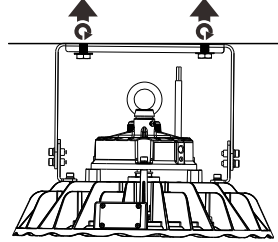
1. ✂



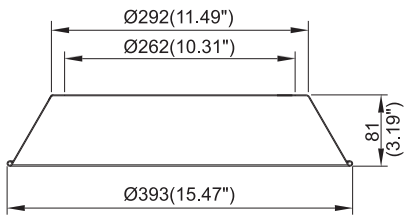
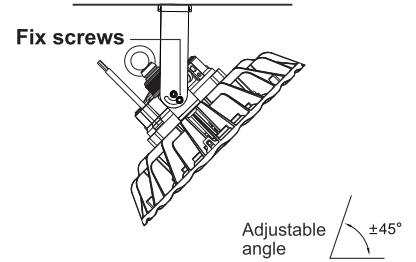
2. ✂



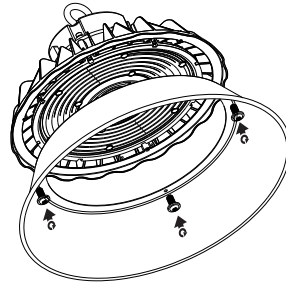
3. ✂



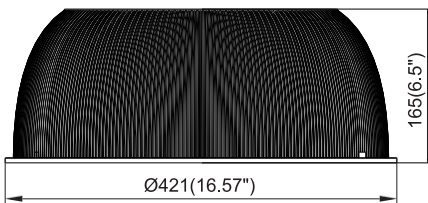
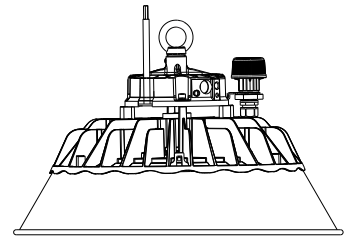
4. ✂



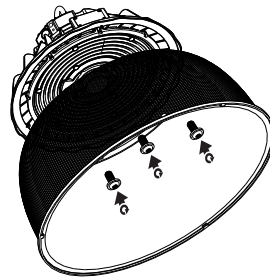
1. ✂



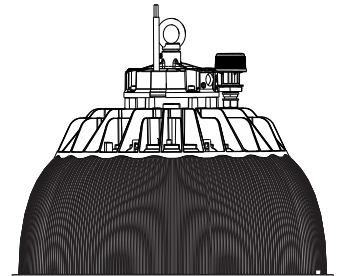
2. ✂



1. ✂

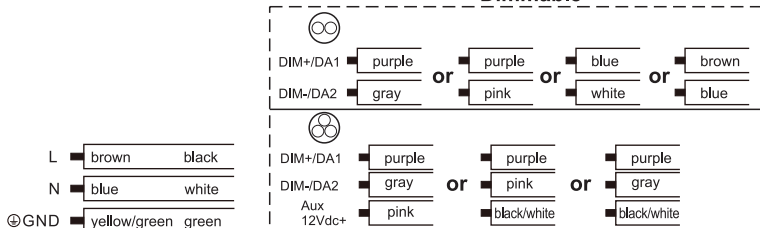


2. ✂



Product Specifications	100W/200W
Outlook Dimensions	Ø315x186mm(12.40"x7.32")
Net Weight	5.4±0.3kg(11.90±0.66Lbs)
Input Voltage	100-277VAC
Working Temperature	-30°C to + 50°C(-22°F to +122°F)
Storing Temperature	-40°C to +70°C(-40°F to +158°F)

Dimmable



Warning! do not wire dim cord to high voltage, or dim function will fail.

• If the external flexible cable or cord of this luminaire is damaged, it shall be exclusively replaced by the manufacturer or his service agent or a similar qualified person in order to avoid a hazard.