

BEMADE
design Carlo Colombo



antoniolupi

MADE IN ITALY

LED_IN

Articolo: **LED_IN**

Descrizione: Illuminazione a led all'interno di porta lavabi e basi completa di trasformatore.

Article: **LED_IN**

Description: Internal led lighting in sink units and cabinets complete with transformer.

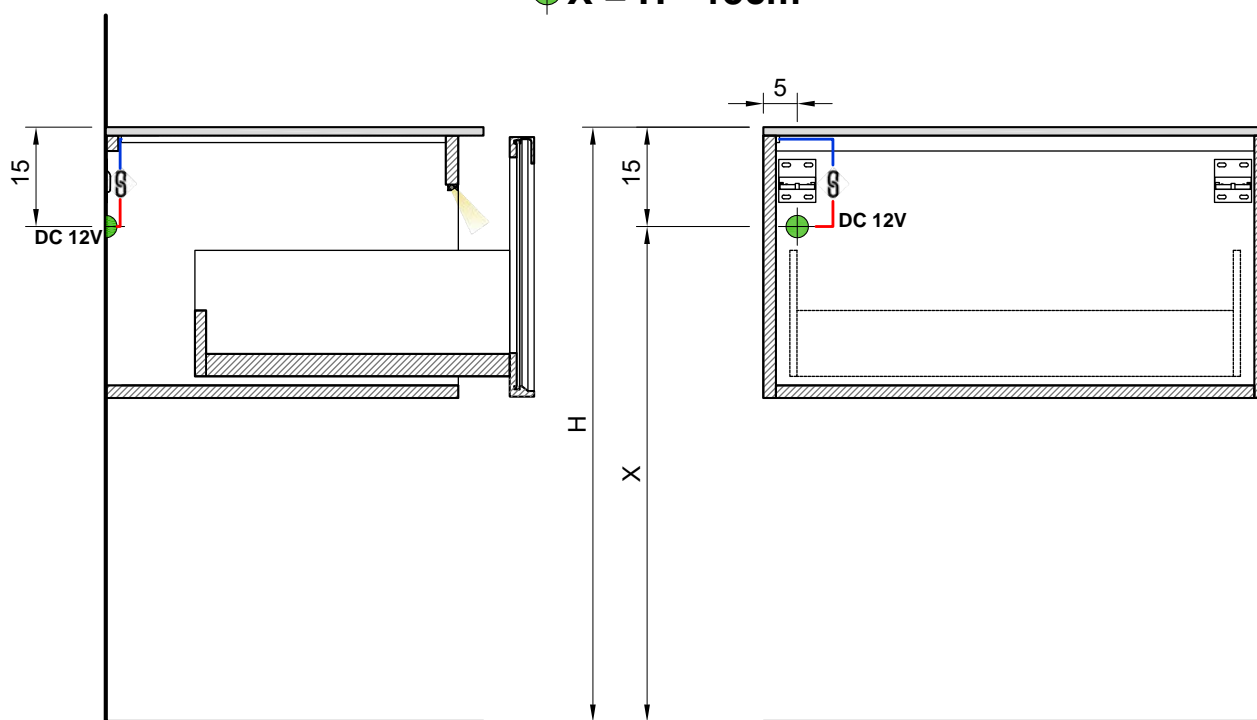


Valido per portavavabo di altezza 25 / 37,5 / 50 cm
Valid for large drawer sink unit 25 / 37.5 / 50 cm high

⊕ X = Uscita a parete alimentazione elettrica
H = altezza totale composizione (a discrezione)

⊕ X = Wall output power supply
H = Total height composition (at the discretion)

$$\oplus X = H - 15\text{cm}$$



DGLED

Articolo: **DGLED**

Descrizione: Illuminazione a led all'interno di basi con 1 vano a giorno compresa di trasformatore.

Article: **DGLED**

Description: Internal led lighting for open cabinets complete with transformer.

Art. DGLED27 L= 27cm
 Art. DGLED36 L= 36cm
 Art. DGLED45 L= 45cm
 Art. DGLED54 L= 54cm
 Art. DGLED63 L= 63cm
 Art. DGLED72 L= 72cm

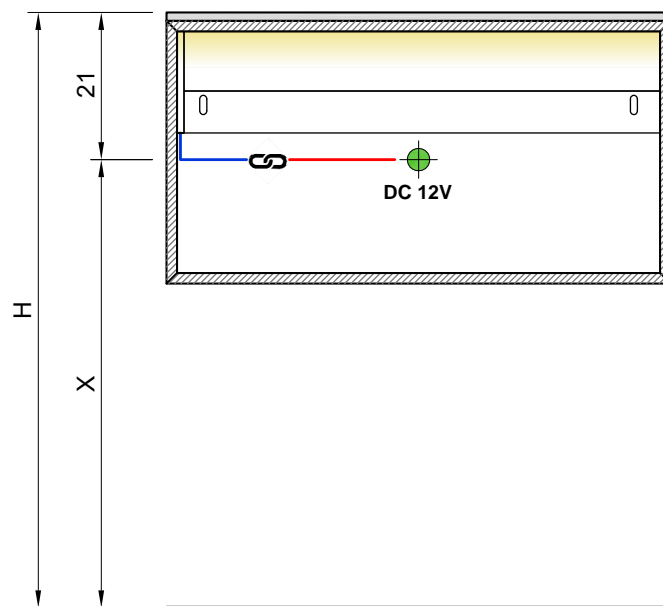
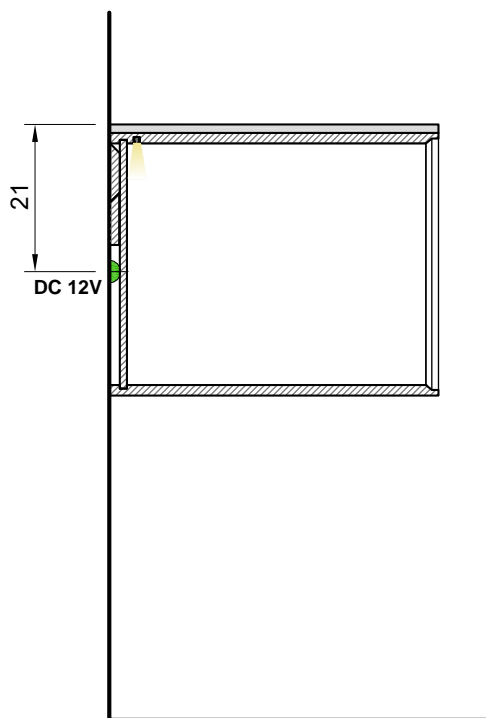


Valido per base con vano a giorno di altezza 25 / 37,5 cm
 Valid for open cabinet 25 / 37,5 cm high

⊕ X = Uscita a parete alimentazione elettrica
 H = altezza totale composizione (a discrezione)

⊕ X = Wall output power supply
 H = Total height composition (at the discretion)

$$\oplus X = H - 21\text{cm}$$



Uscita a parete alimentazione elettrica valida per:

Colonna dx o sx con 1 anta H 125/150/175/210cm
 Colonna con 2 ante H 125/150cm
 Pensile dx o sx con 1 anta H 100/75/50cm
 Pensile con 2 ante H 100/75/50cm

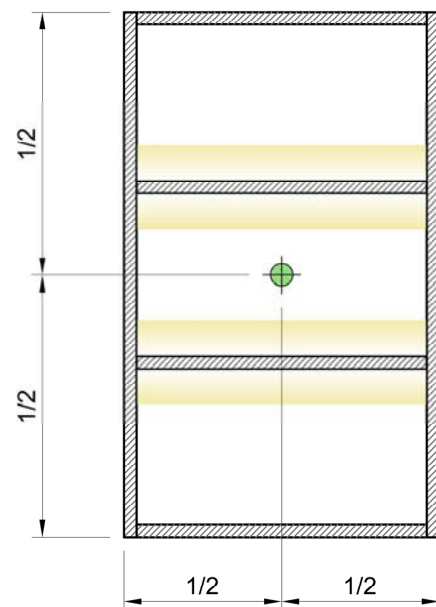
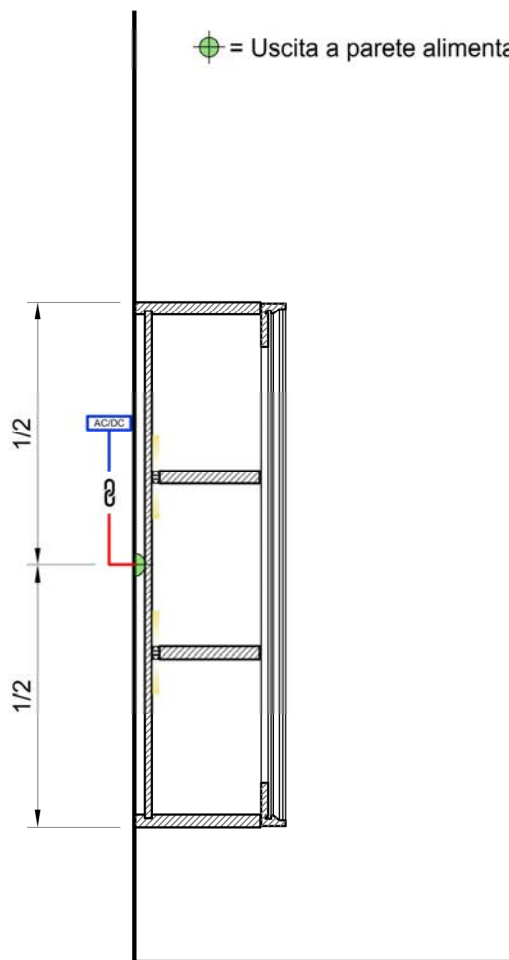
Wall output power supply valid for:

Right or left single door high cabinet H 125/150/175/210cm
 Double door high cabinet H 125/150cm
 Right or left single door wall cabinet H 100/75/50cm
 Double door wall cabinet H 100/75/50cm



⊕ = Uscita a parete alimentazione elettrica

⊕ = Wall output power supply



BARRALED

Articolo: **BARRALED**

Descrizione: Barra LED compresa di trasformatore per illuminazione sotto porta lavabi e basi.

La misura della barra LED sarà 9 cm in meno rispetto alla misura della composizione.

N.B. Su richiesta è possibile fornire la barra LED per lunghezze superiori. Per il prezzo consultare l'azienda.

Article: **BARRALED**

Description: LED bar complete with transformer for lighting under sink units and cabinets.

The length of the led bar will be 9 cm less than the overall length of the composition.

P.S. On request it is possible to supply the led bar for longer lengths. For the price, consult the company.

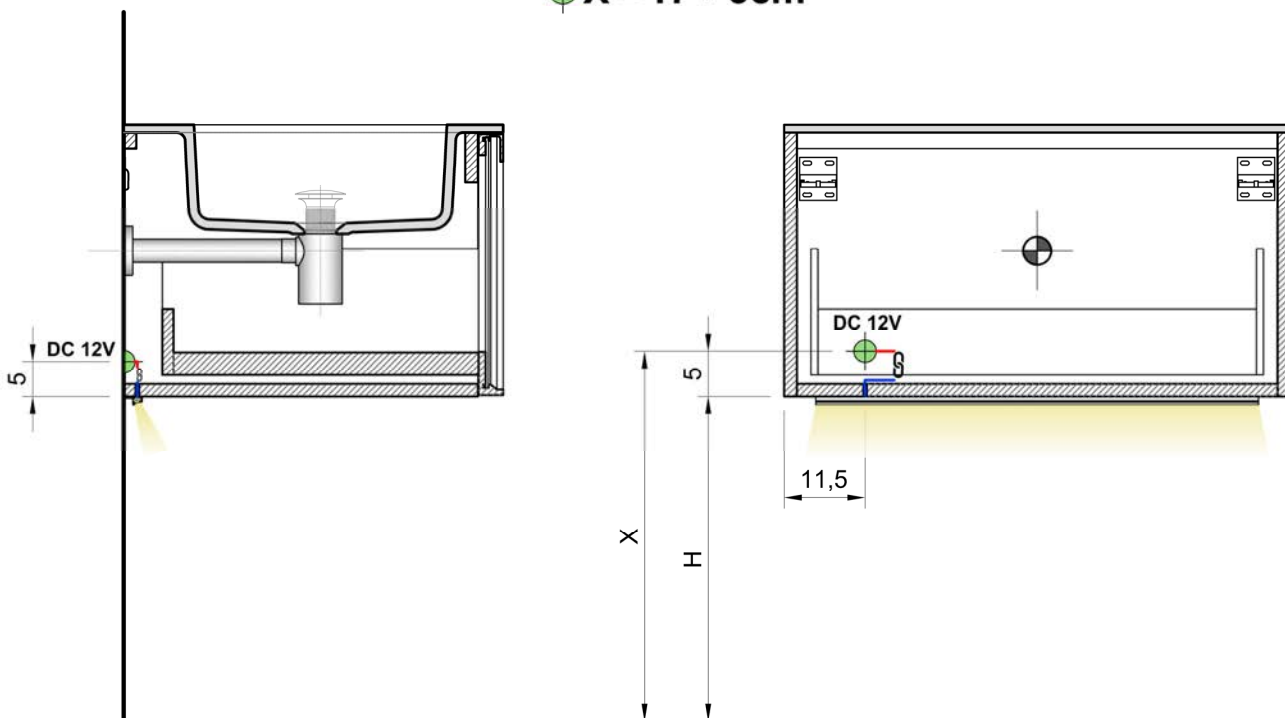


Valido per portalavabo, base e base con vano a giorno di altezza 25 / 37,5 / 50 cm
Valid for drawer sink unit, drawer cabinet and open cabinet 25 / 37.5 / 50 cm high

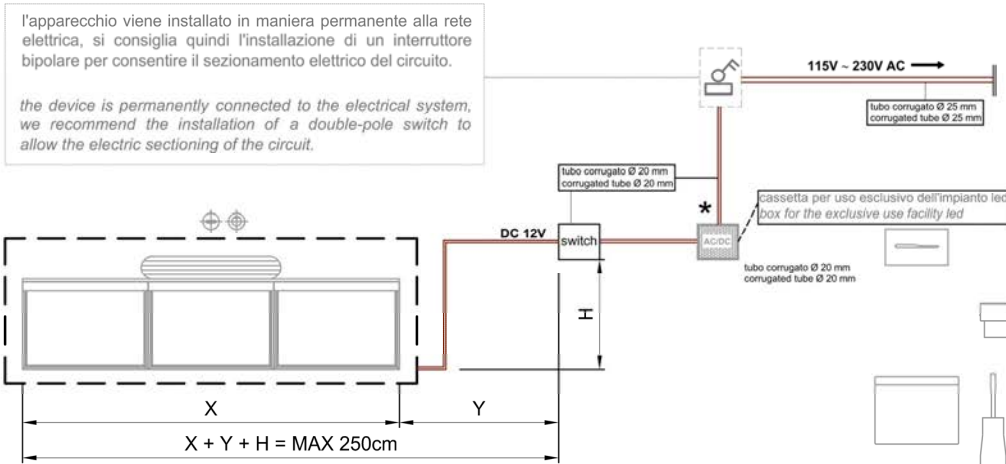
- ⊕ X = Uscita a parete alimentazione elettrica
- H = altezza inizio composizione (a discrezione)
- ⊕ = altezza scarico

- ⊕ X = Wall output power supply
- H = Initial part of the composition (at the discretion)
- ⊕ = drain height

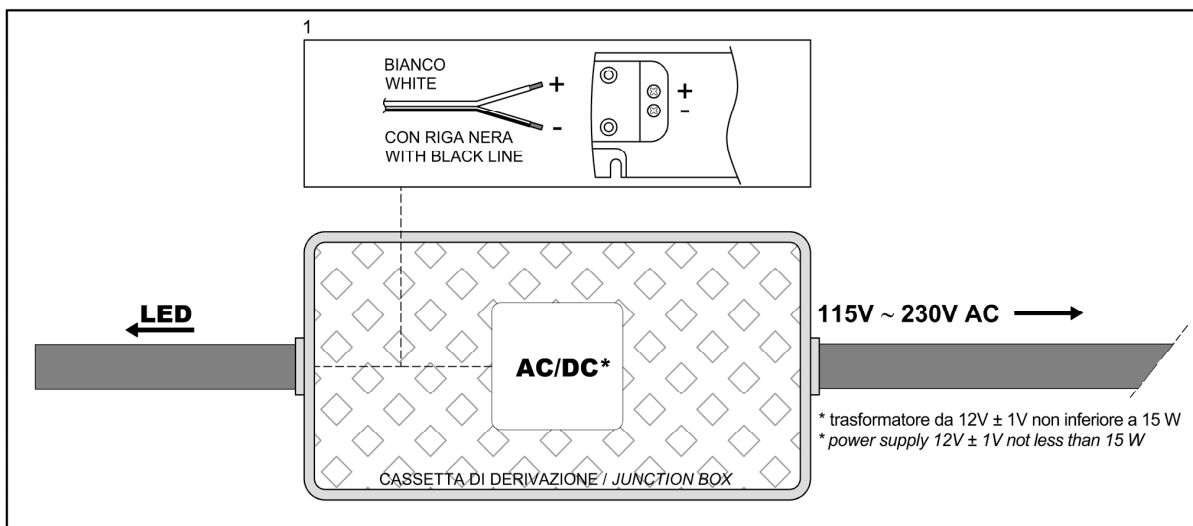
$$\oplus X = H + 5\text{cm}$$



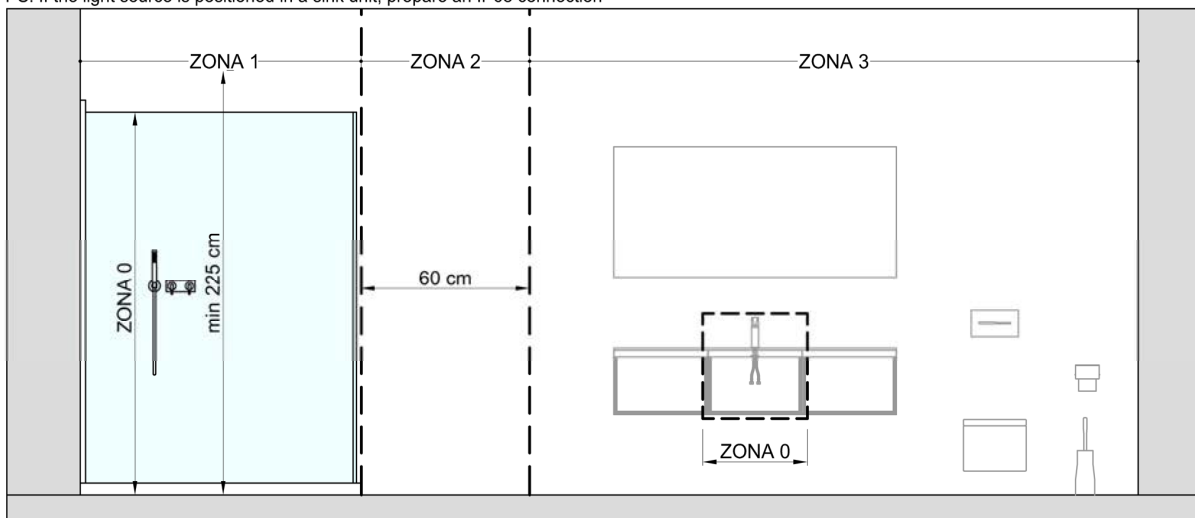
NB: Una volta collegata la strip led, inserire il cavo in eccedenza completamente all'interno del muro così da non intervenire col moto del cassetto.
PS: Once the LED strip is connected, insert the extra cable completely inside the wall so as not to intervene with the motion of the drawer.

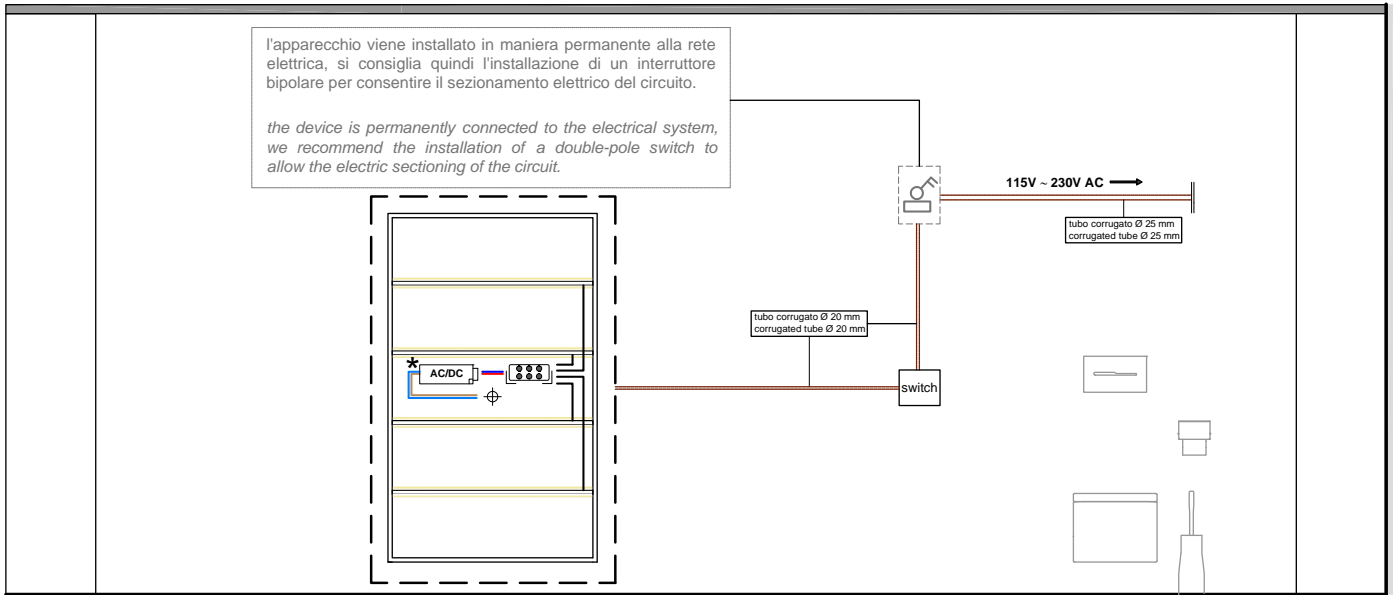


* Collegare i cavetti dell'apparecchio negli appositi morsetti dell'alimentatore rispettando la polarità. Art. BARRALED, LED_IN, DGLED (Fig. 1)
 Connect the cables to the appropriate terminals of the power supply, respecting the polarity. Art. BARRALED, LED_IN, DGLED (Fig. 1)



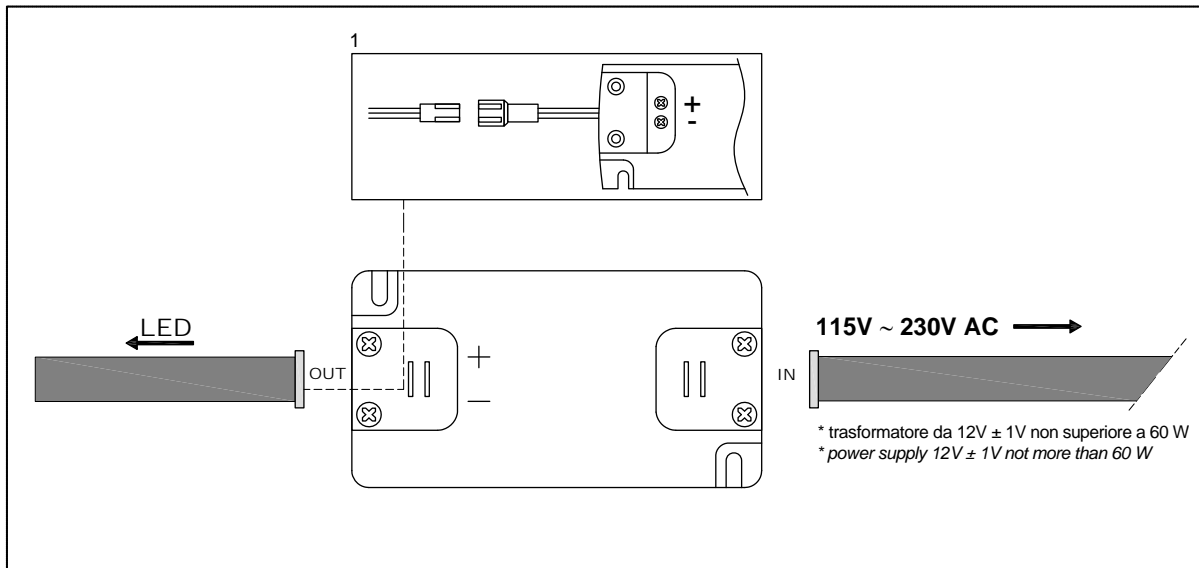
NB: In caso di posizionamento della sorgente luminosa in portalavabi predisporre un collegamento IP68.
 PS: If the light source is positioned in a sink unit, prepare an IP68 connection

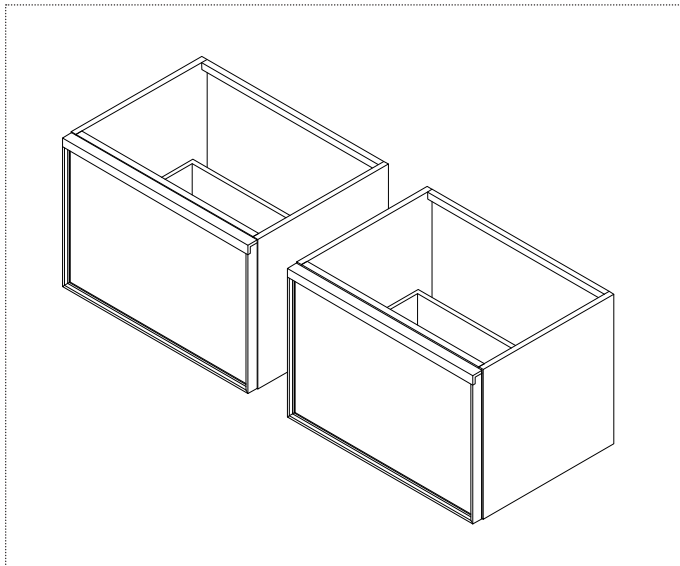




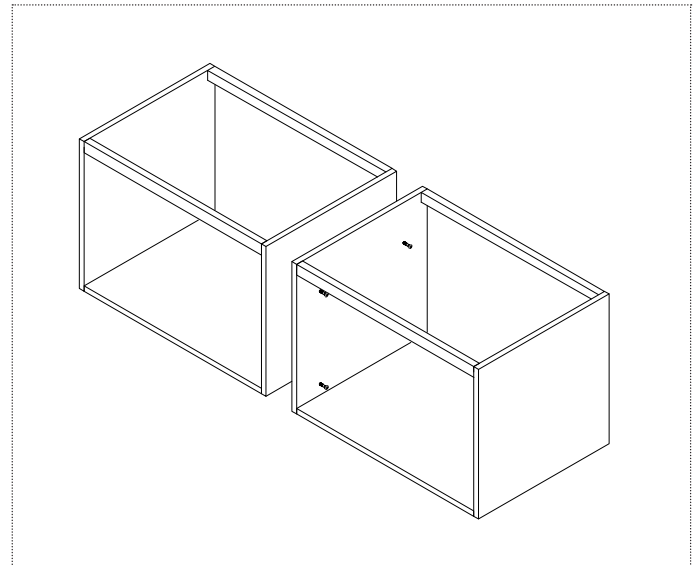
*

I cavetti sono montati con terminali quindi anche l'alimentatore dovrà essere dotato di cablaggio con lo stesso tipo di terminali. (Fig. 1)
 The cables are mounted with terminals and the power supply must also be equipped with cables with the same type of terminals. (Fig. 1)

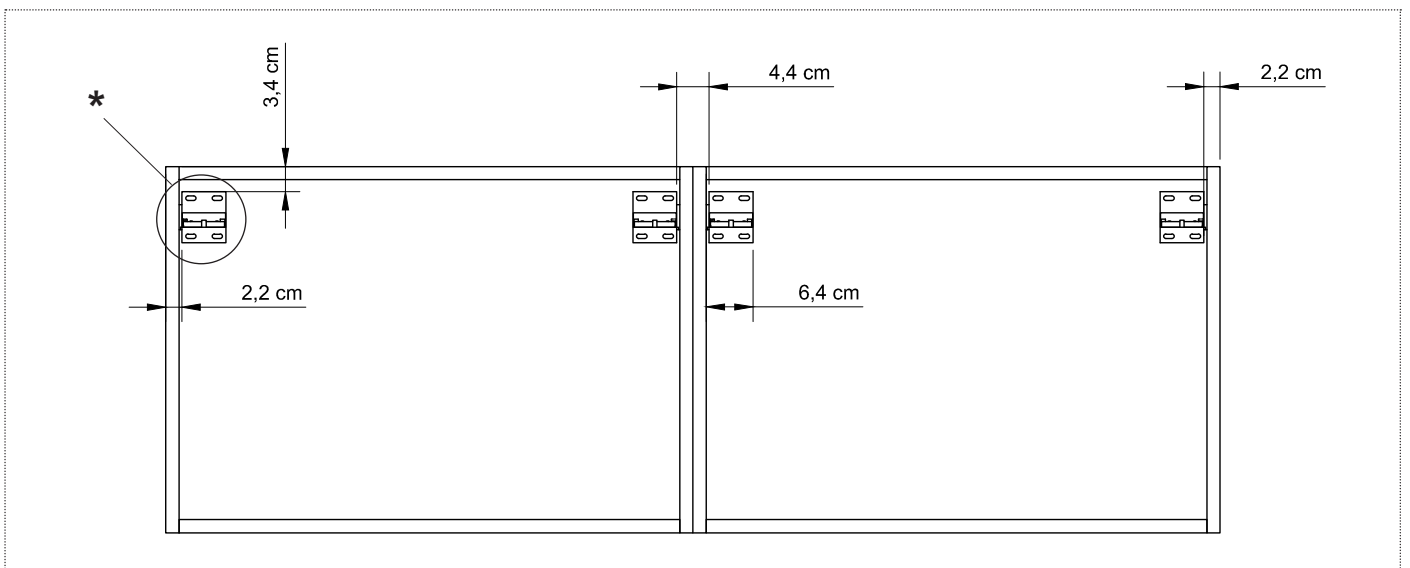




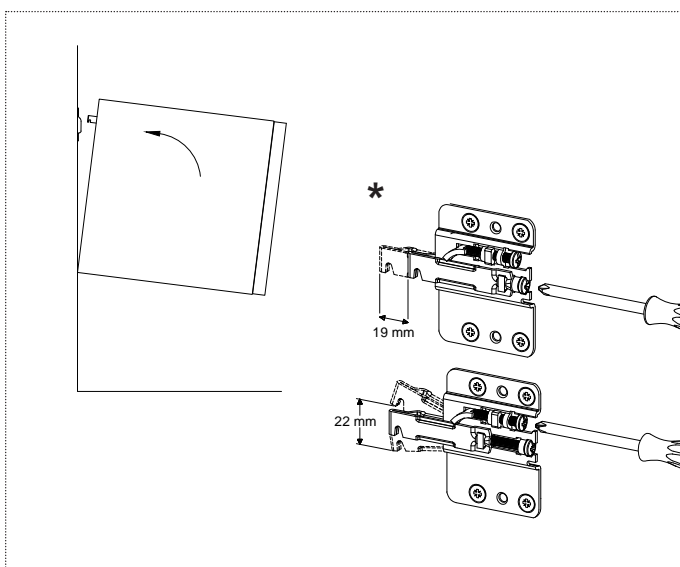
1_ Prepare your cabinets on the floor before assembly.



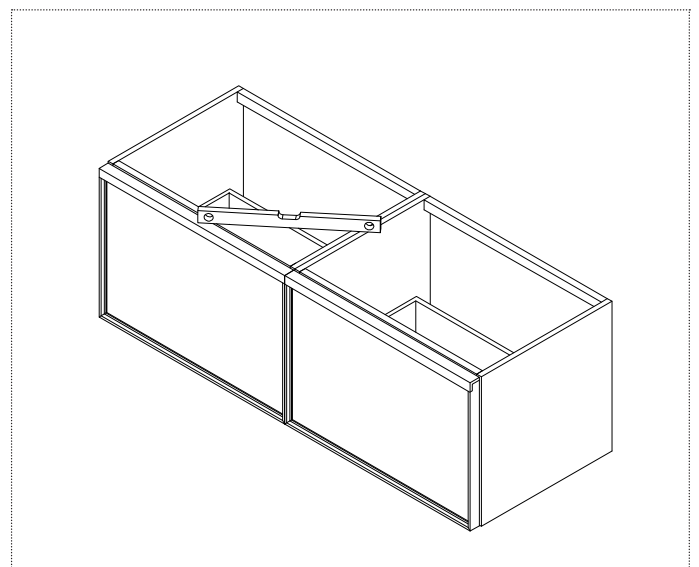
2_ Assemble the cabinets together using the screws provided.



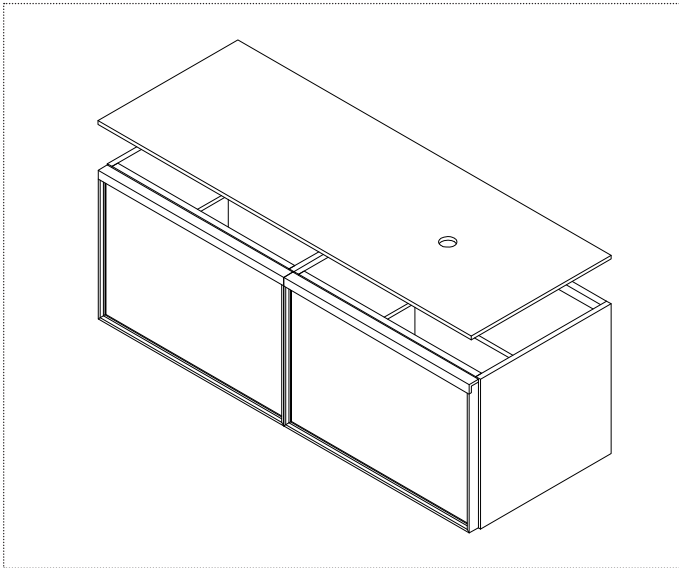
3_ Position and secure the supporting wall plates to the dimensions given.



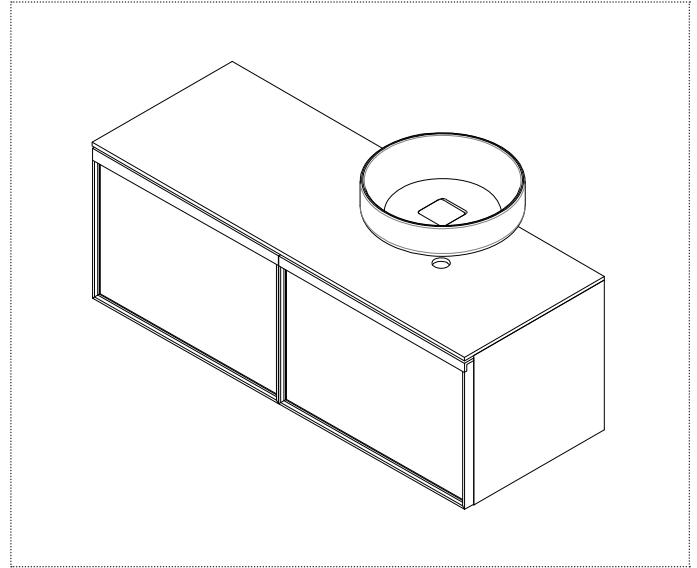
4_ Hang the cabinets on the wall. Tighten and register the cabinet to obtain the desired position.



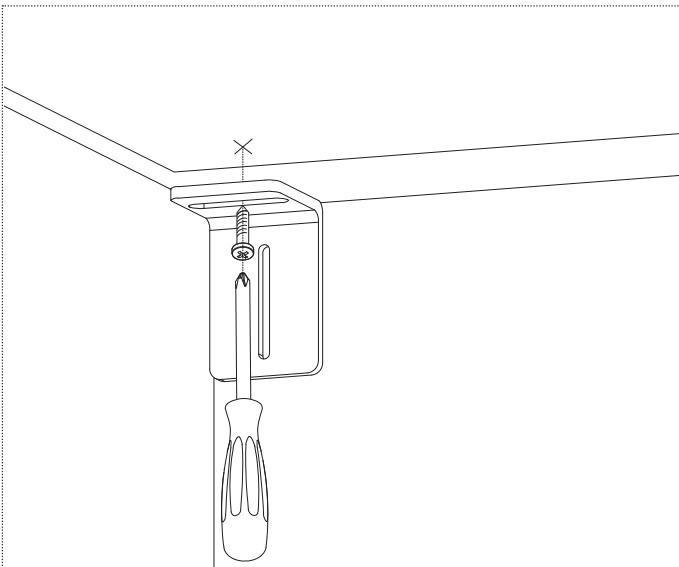
5_ Level the cabinets.



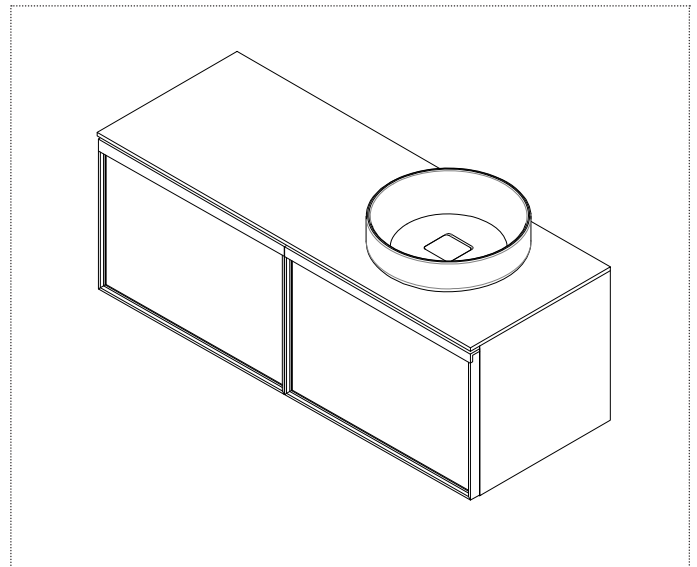
6_ Proceed with sealing the top surface of the cabinets and position the top.



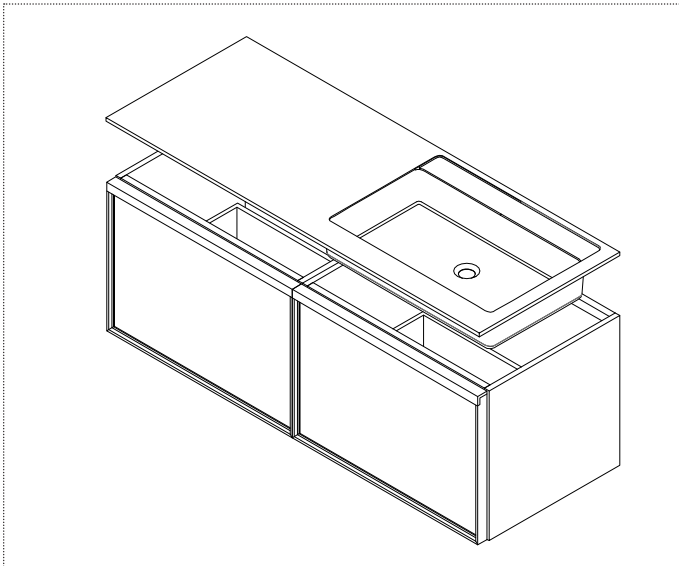
7_ Position and seal the sink with non acidic silicone.



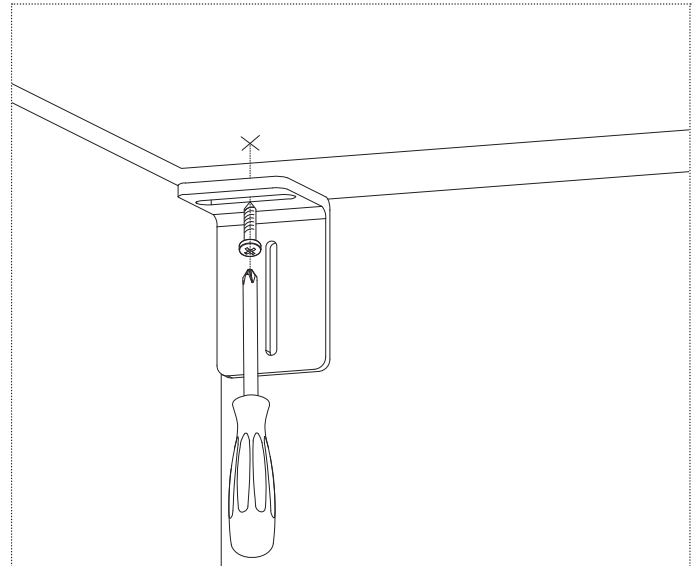
8_ Connect the top with the brackets placed on all 4 corners of the cabinet.



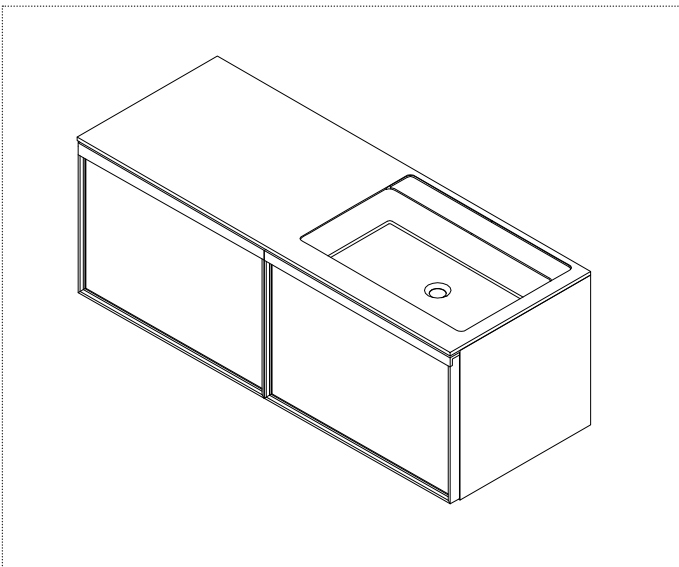
9_ Once assembly is completed we advise to apply non acidic silicone between top and wall.



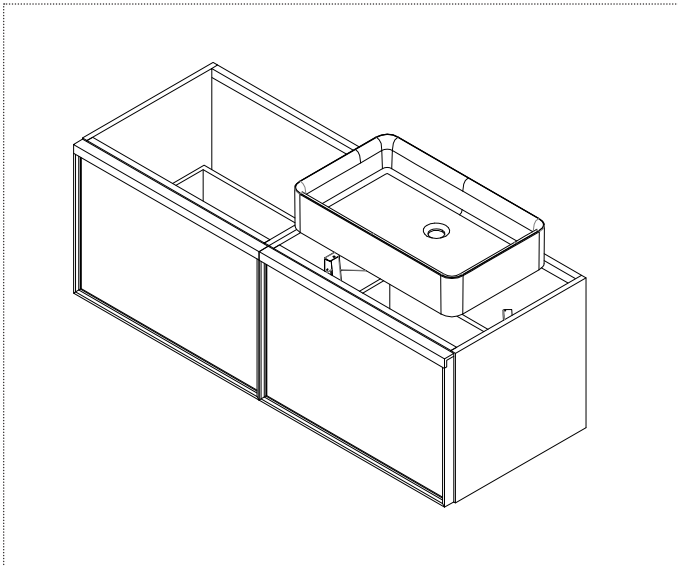
6_ Proceed with sealing the top surface of the cabinets and position the top.



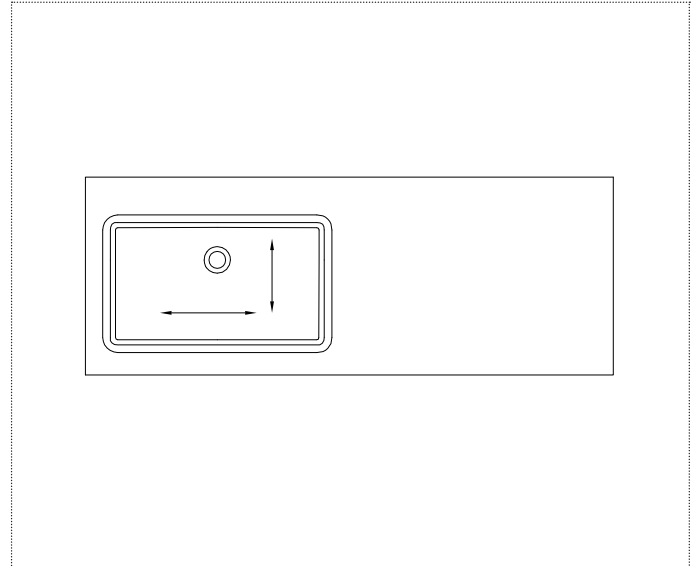
7_ Connect the top with the brackets placed on all 4 corners of the cabinet.



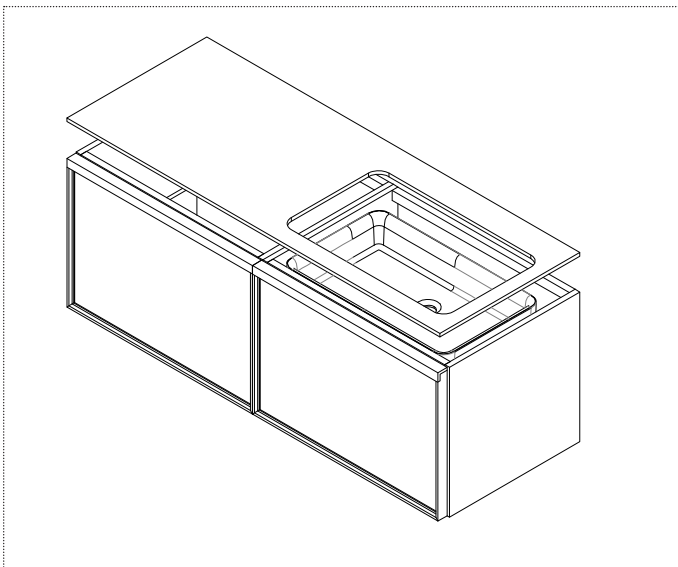
8_ Once assembly is completed we advise to apply non acidic silicone between top and wall.



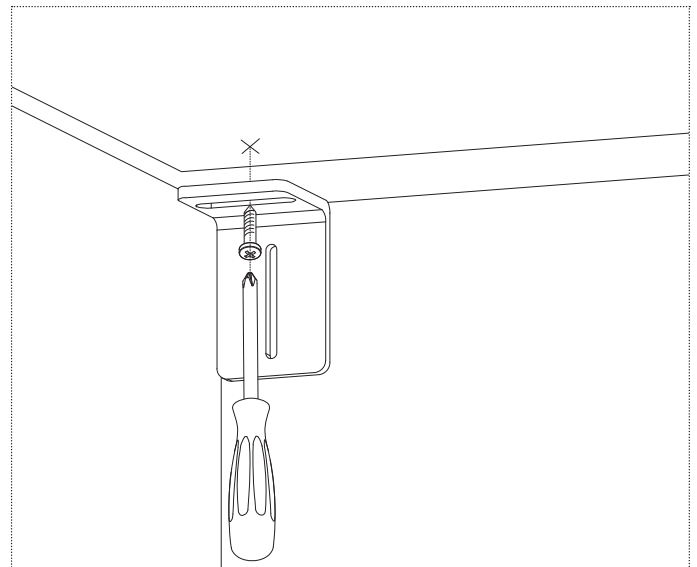
6_ Place the sink on the supporting brackets and regulate the screws to level the sink.



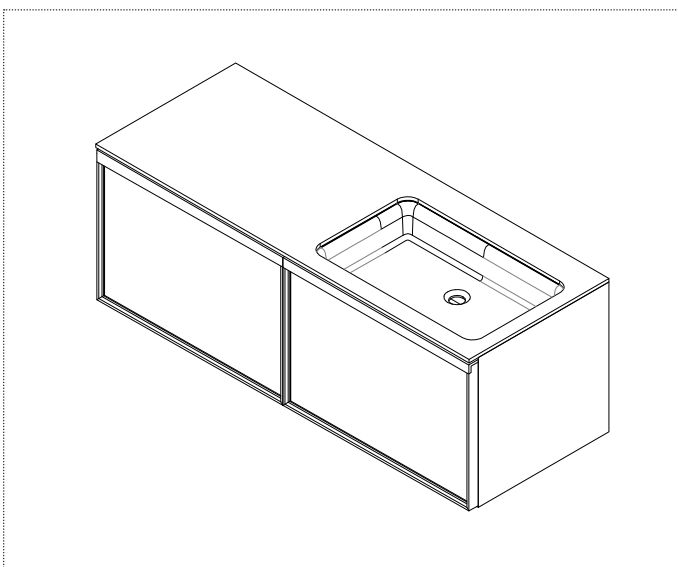
7_ Carefully position the top to avoid moving the sink and regulate in accordance to the sink hole to obtain mutual centering.



8_ Remove the top gently so as not to move the sink. Proceed with sealing the sink and top and reposition the top.



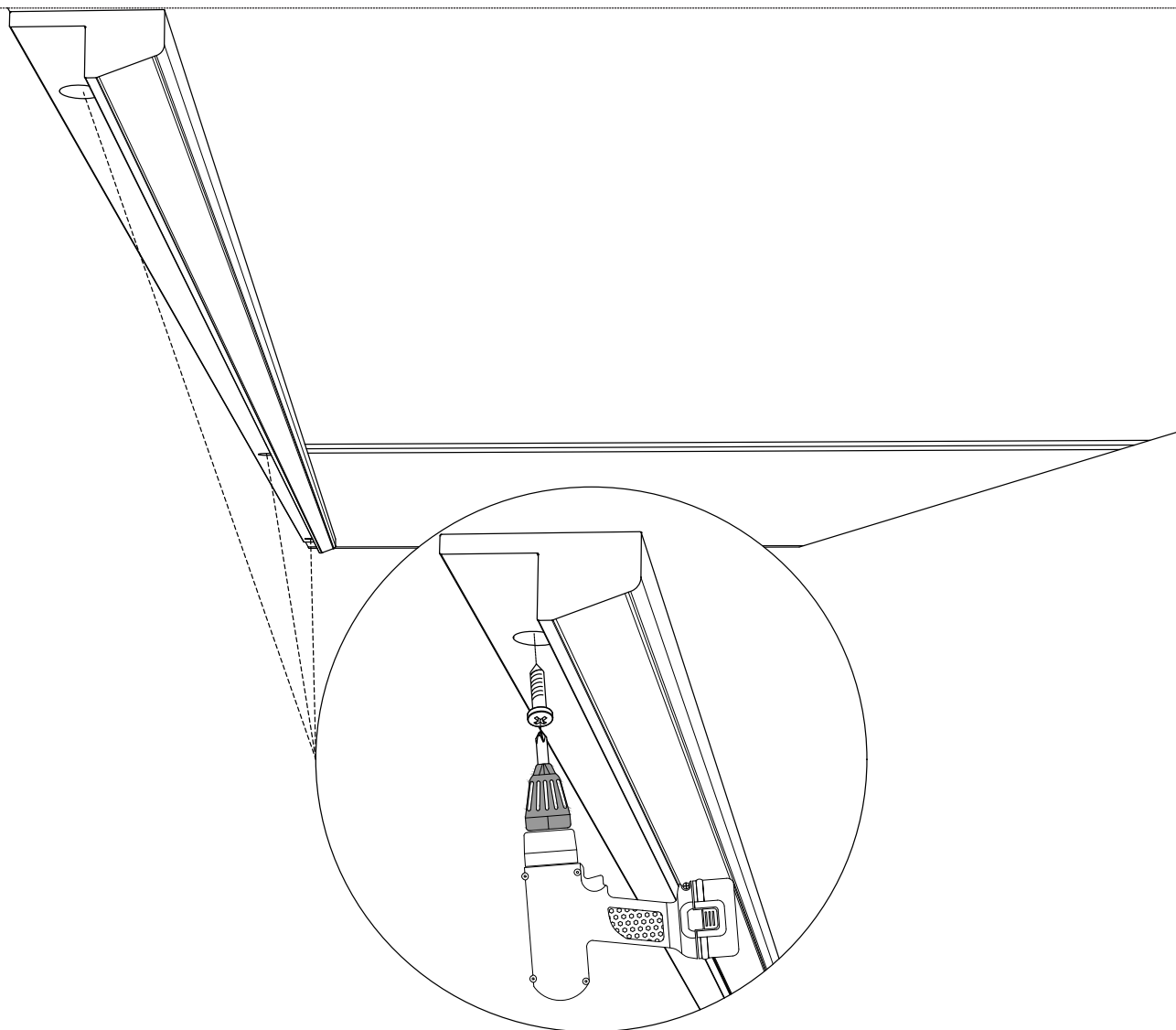
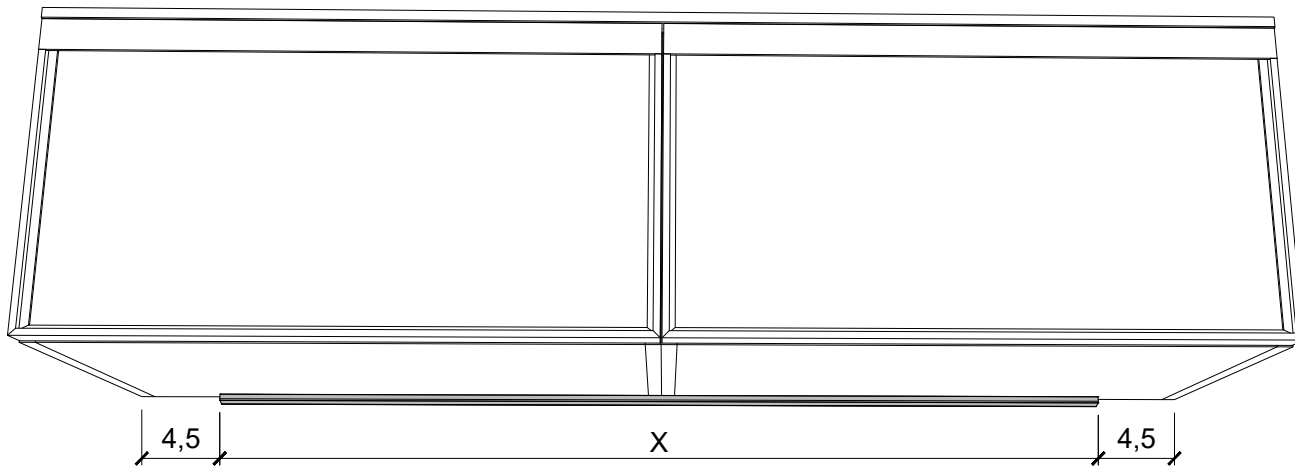
9_ Connect the top with the brackets placed on all 4 corners of the cabinet.



10_ Once assembly is completed we advise to apply non acidic silicone between top and wall.

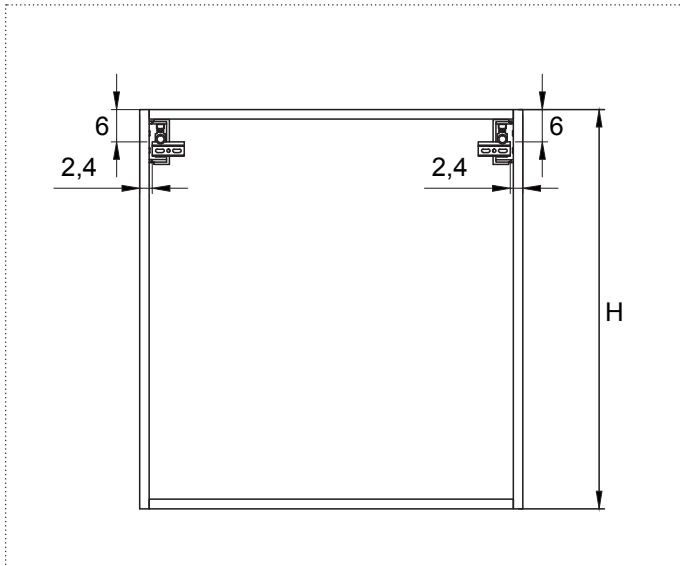


EN_ Carry out this step only if the product was ordered including the LED lighting Art. BARRALED

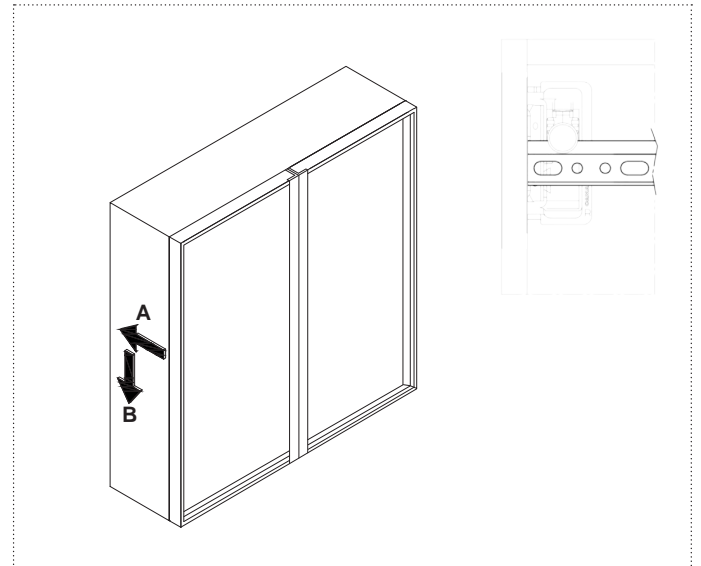


EN_ Fix the Art. BARRALED on the bottom of the cabinet using the screws provided. P.S: The number of holes varies depending on the length of the cabinet.

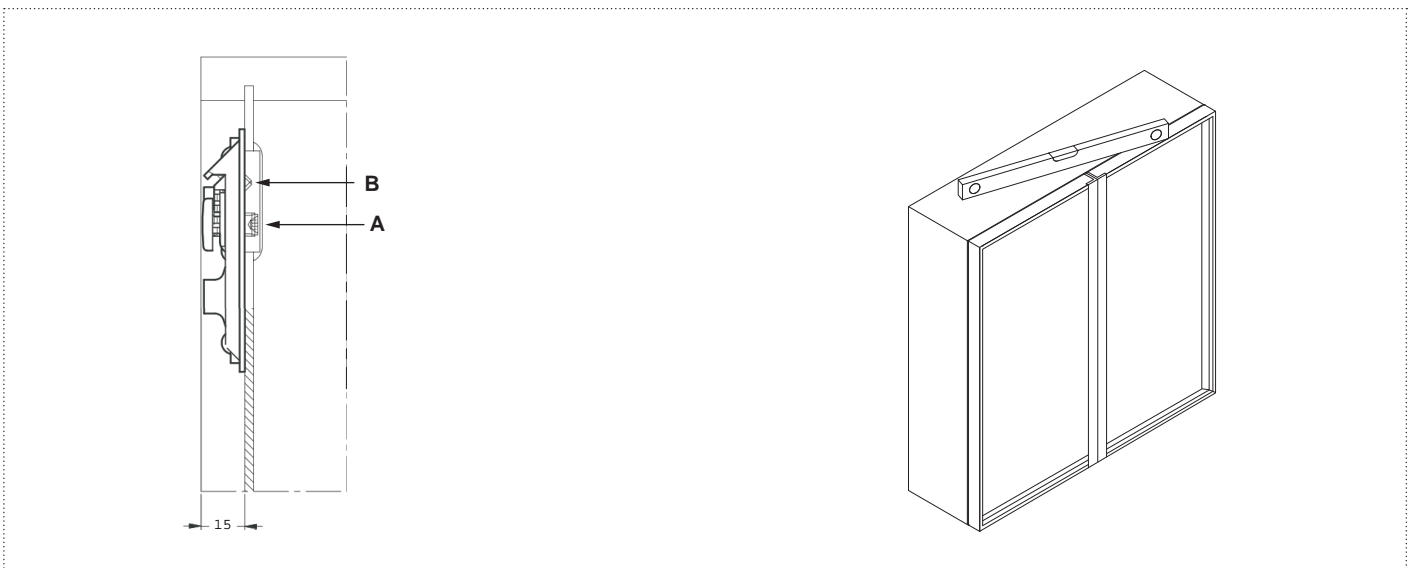




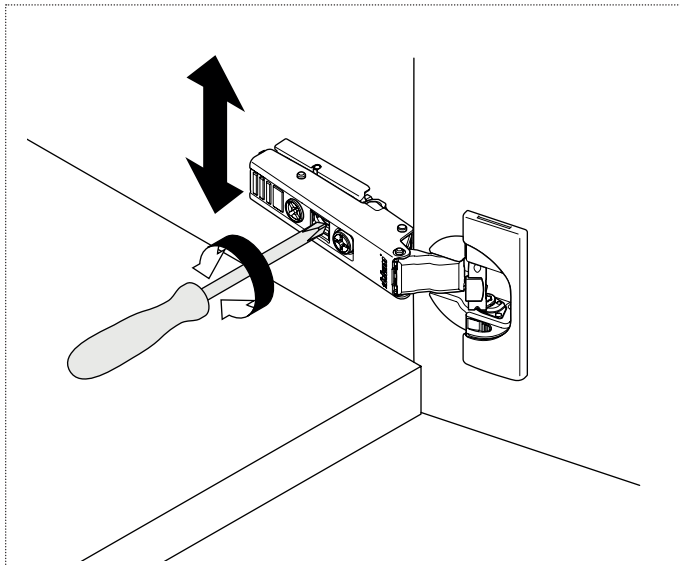
1_ Position and fix the wall support to the wall at the height desired.



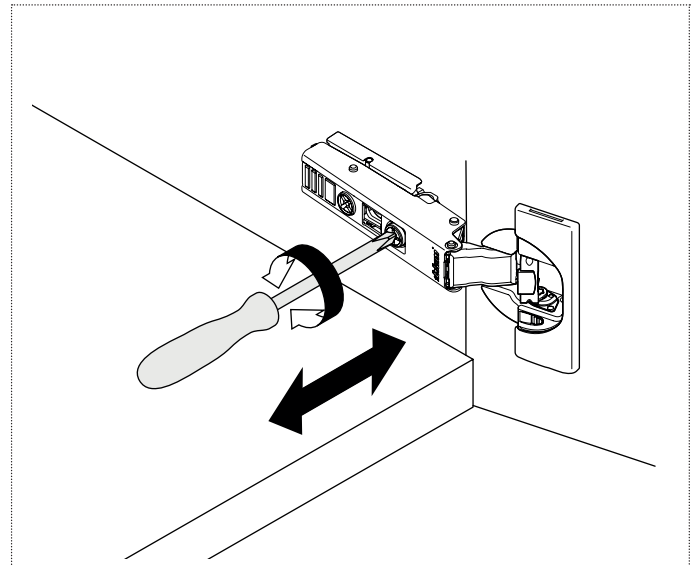
2_ Fix the cabinets to the wall



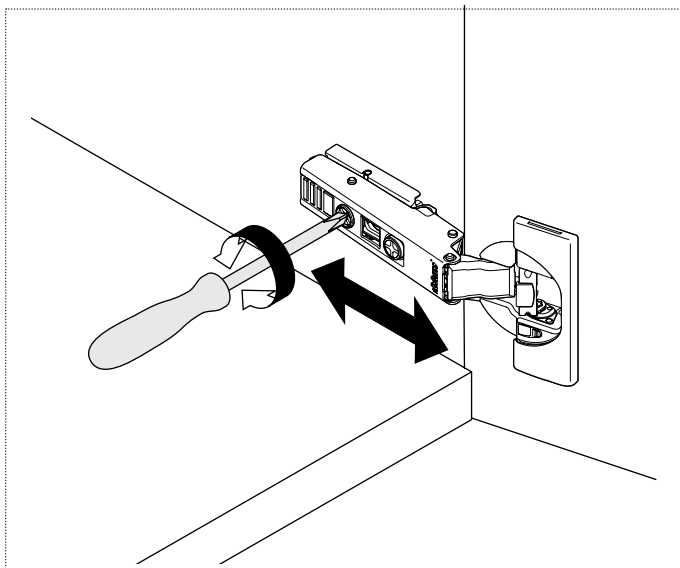
3_ Level the cabinets using the **B** screws and tighten screws **A**



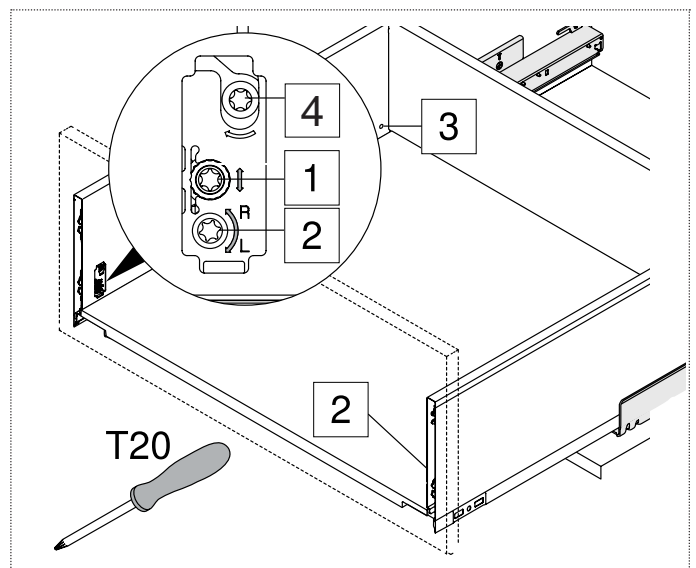
10_ Vertical hinge adjustment for door front.



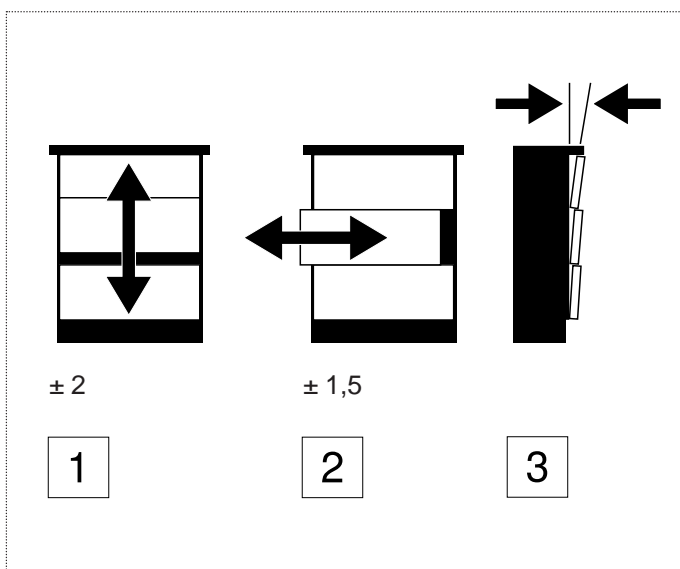
11_ Lateral hinge adjustment for door front.



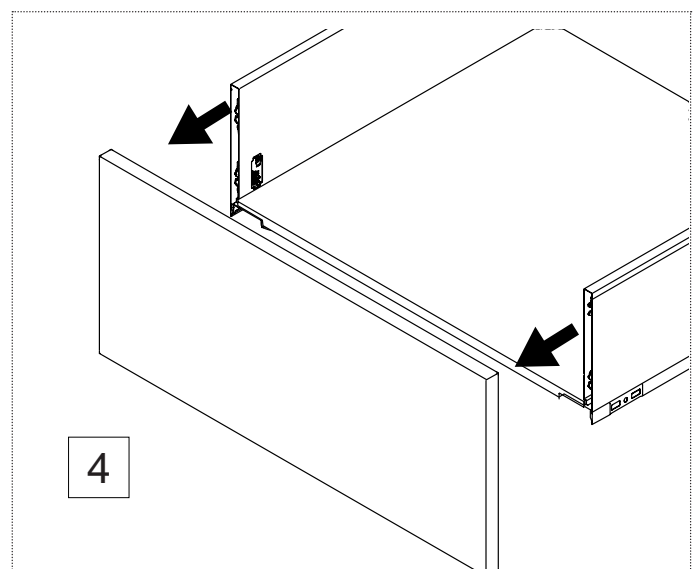
12_ Front hinge adjustment for door front.



13_ Drawer adjustment.



14_ Adjustment in height, position and inclination. Note: adjustments must be done on both sides.



15_ Drawer front removal.

CAREFULLY READ THE INSTRUCTIONS INDICATED IN THE MANUAL

The safety of the device is guaranteed only with the appropriate use of the following instructions; therefore, it is necessary to keep them. Follow exclusively the instructions in the manual for cleaning and maintenance of the device.

FURNITURE INSTALATION

For internal use only. The furniture must be installed at a distance of not less than 0.6m from the shower enclosure or from the bathtub. No supports other than those included must be used to hang the furniture.

Do not install the furniture too close to heat sources such as radiators, stoves or other similar sources.

The installation of the wall unit requires qualified personnel.

INSTALLATION

The device must be connected to an approved safety power supply.

We shall decline any responsibility if this condition is not respected.

The installation must be carried out in compliance with current standards. Terminal block not included.

For the connections of the electrical parts, the support of qualified personnel with electrical engineering experience is required.

Appropriate tools must be used when installing the furniture;

During the installation phases, maximum attention must be paid to the risk of electric shock.

The installation of a bipolar switch is recommended to allow electrical disconnection of the circuit.

Make the electrical connections as in the descriptive diagram in this manual.

USE

The cabinet must be used only if complete with all its components. Do not modify or alter the original condition of the furniture.

Any tampering can compromise safety. Do not use the furniture or its individual parts for purposes other than those intended.

To reduce the risk of electric shock, do not remove any covers from the cabinet.

MAINTENANCE

For any evidence of failure or malfunction, immediately contact Antonio Lupi Design S.p.A.

All furniture components must be promptly replaced in case of damage.

If the external flexible cable of this device is damaged, it must be replaced exclusively by the manufacturer, its customer service or by a qualified person to avoid danger.

The LED light source does not require routine maintenance nor replacement.

Cleaning and maintenance: clean the surface of the device with a damp cloth. Do not use chemical agents.

REMOVAL AND DISPOSAL

When removing the device, all the necessary precautions must be taken to avoid the risk of electric shock.

The removed equipment must then be disposed of in accordance with all legal requirements as special waste.



The symbol on the product indicates that electrical products should not be disposed of with household waste. Please recycle at the designated facilities. Check with the local authority or the dealer for the display of the recycling notice.



EN_ This product contains light sources of energy efficiency class <F>

antoniolupi

73

VIA MAZZINI

75

Antonio Lupi Design S.p.A.
via Mazzini 73/75 - 50050 Stabbia
Cerreto Guidi (Firenze) - Italy
T +39 0571 586881_95651
F +39 0571 586885
www.antoniolupi.it
lupi@antoniolupi.it