



PIANA
design Nevio Tellatin



ORMA
design AL Studio

antoniolupi

MADE IN ITALY

BARRALED

Articolo: BARRALED

Descrizione: Barra LED compresa di trasformatore per illuminazione sotto porta lavabi e basi.

La misura della barra LED sarà 9 cm in meno rispetto alla misura della composizione.
N.B. Su richiesta è possibile fornire la barra LED per lunghezze superiori. Per il prezzo consultare l'azienda.

Article: BARRALED

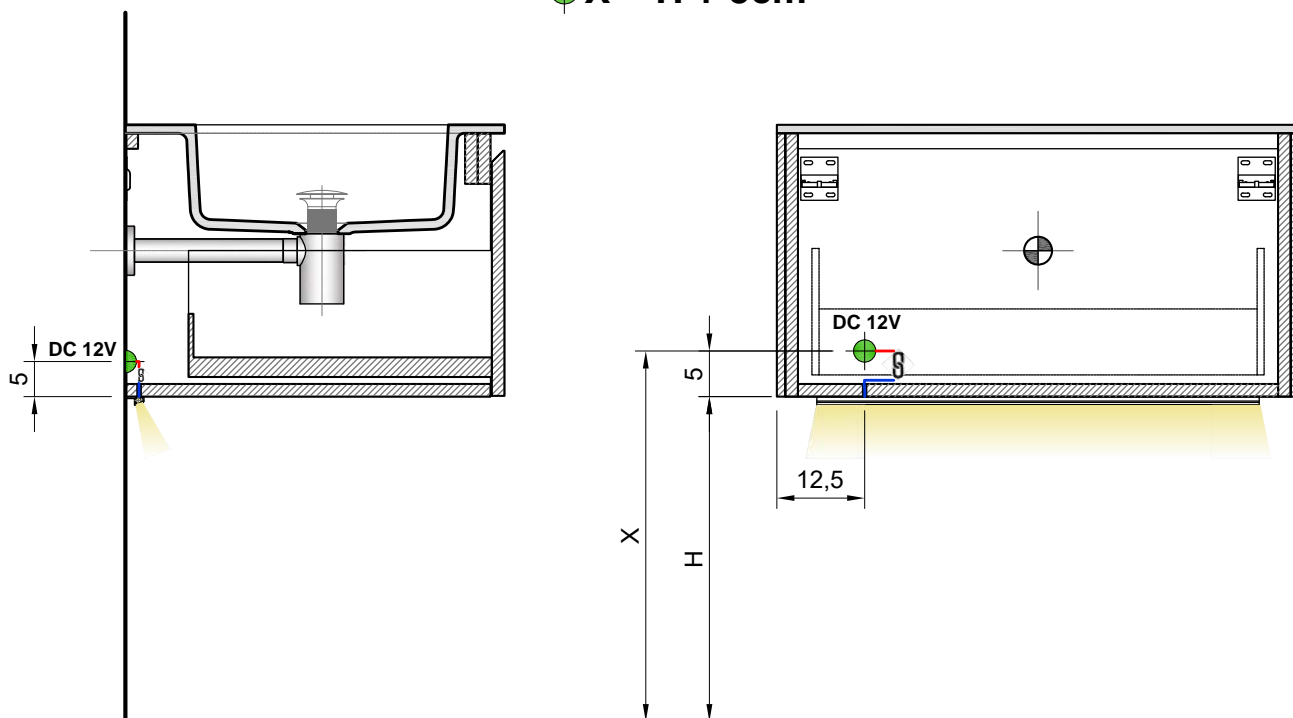
Description: LED bar complete with transformer for lighting under sink units and cabinets.
The length of the led bar will be 9 cm less than the overall length of the composition.
P.S. On request it is possible to supply the led bar for longer lengths. For the price, consult the company.

Valido per portalavabo, base e base con vano a giorno di altezza 25 / 37,5 / 50 cm
Valid for drawer sink unit, drawer cabinet and open cabinet 25 / 37.5 / 50 cm high

- ⊕ X = Uscita a parete alimentazione elettrica
- H = altezza inizio composizione (a discrezione)
- ⊕ = altezza scarico

- ⊕ X = Wall output power supply
- H = Initial part of the composition (at the discretion)
- ⊕ = drain height

$$\oplus X = H + 5\text{cm}$$



NB: Una volta collegata la strip led, inserire il cavo in eccedenza completamente all'interno del muro così da non intervenire col moto del cassetto.
PS: Once the LED strip is connected, insert the extra cable completely inside the wall so as not to intervene with the motion of the drawer.

LED_IN

Articolo: **LED_IN**

Descrizione: Illuminazione a led all'interno di porta lavabi e basi compresa di trasformatore.

Article: **LED_IN**

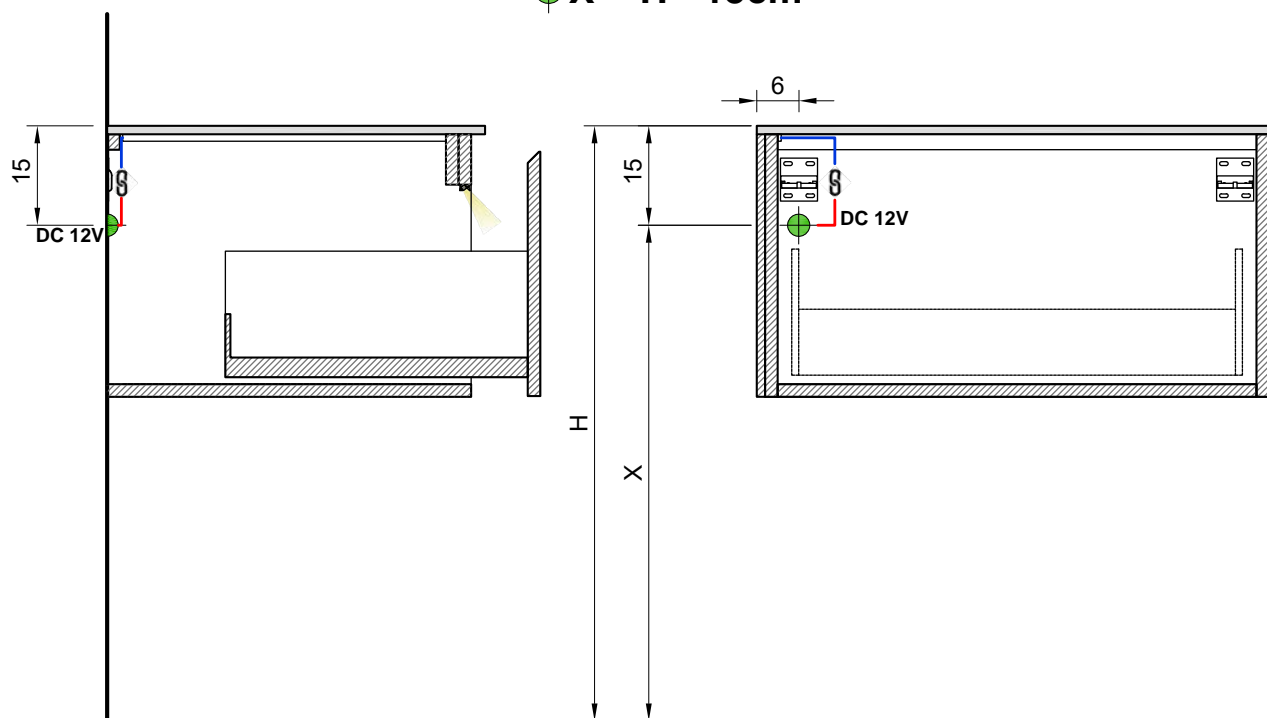
Description: Internal led lighting in sink units and cabinets complete with transformer.

Valido per portavavabo di altezza 25 / 37,5 / 50 cm
Valid for large drawer sink unit 25 / 37.5 / 50 cm high

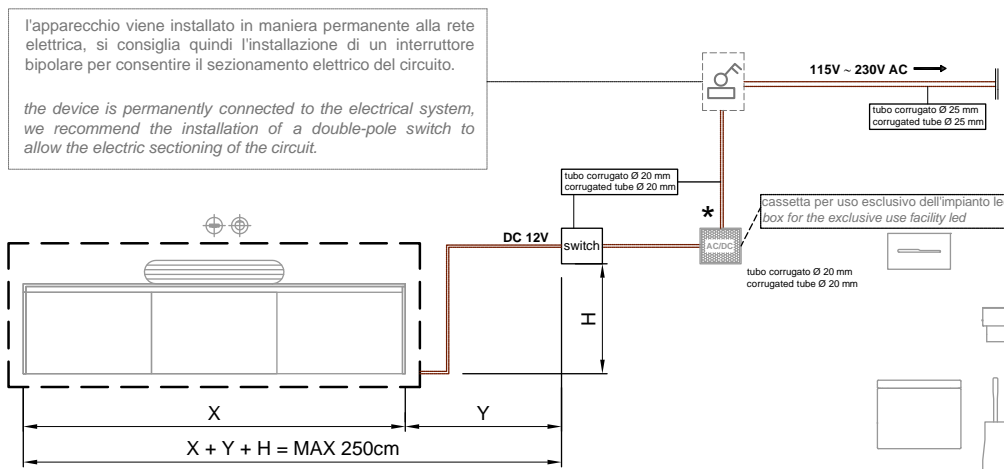
● X = Uscita a parete alimentazione elettrica
H = altezza totale composizione (a discrezione)

● X = Wall output power supply
H = Total height composition (at the discretion)

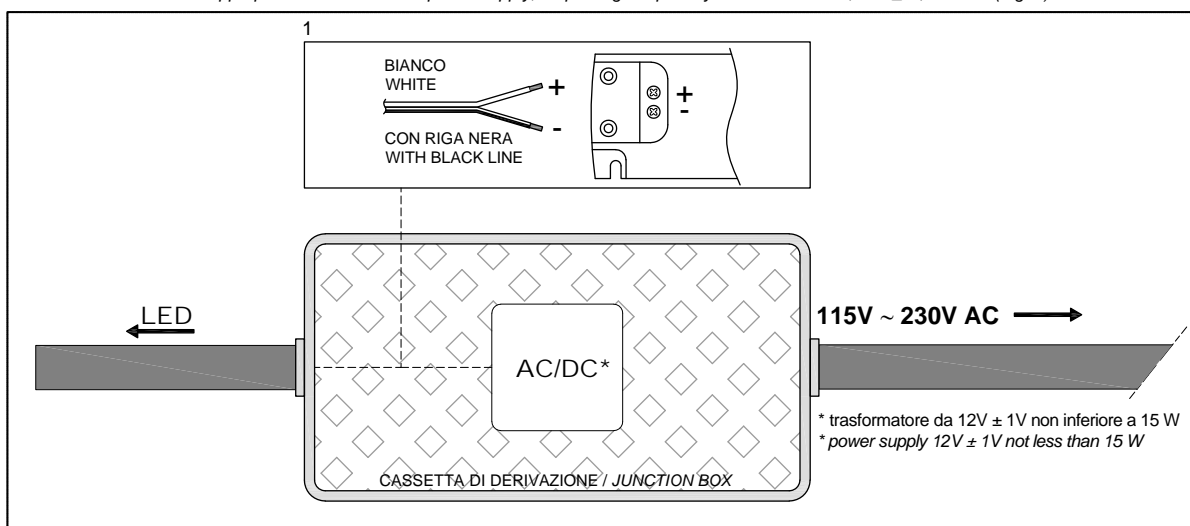
$$\bullet X = H - 15\text{cm}$$



ILLUMINAZIONE BASI/ SINK UNIT AND DRAWERS LIGHTING Art. LED_IN / BARRALED / DGLED - Schema elettrico - electrical diagram

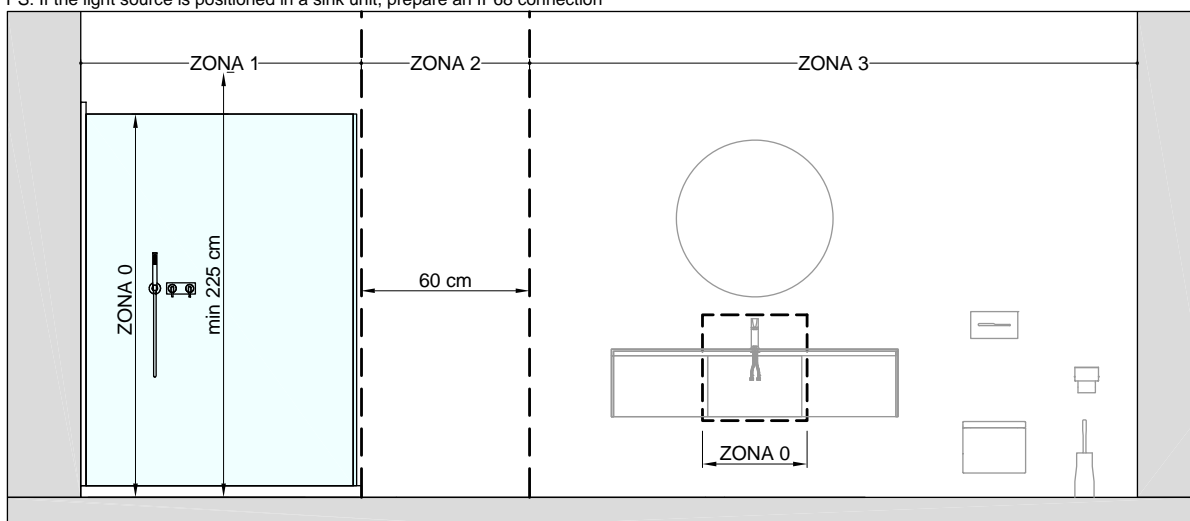


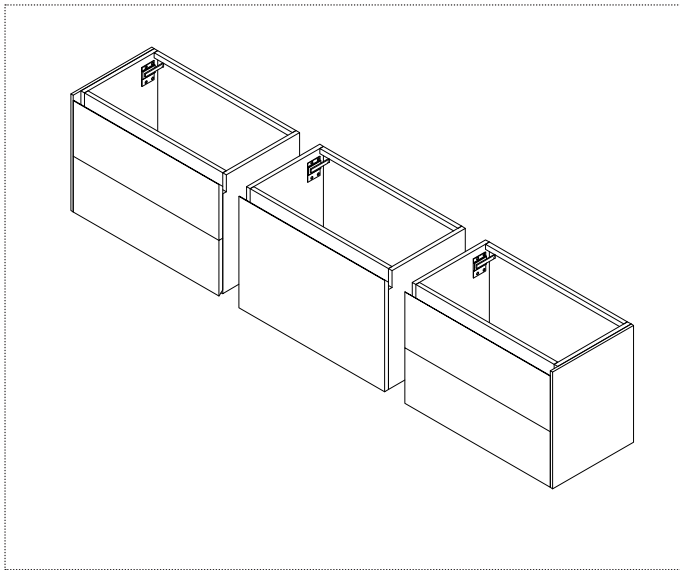
* Collegare i cavetti dell'apparecchio negli appositi morsetti dell'alimentatore rispettando la polarità. Art. BARRALED, LED_IN, DGLED (Fig. 1)
Connect the cables to the appropriate terminals of the power supply, respecting the polarity. Art. BARRALED, LED_IN, DGLED (Fig. 1)



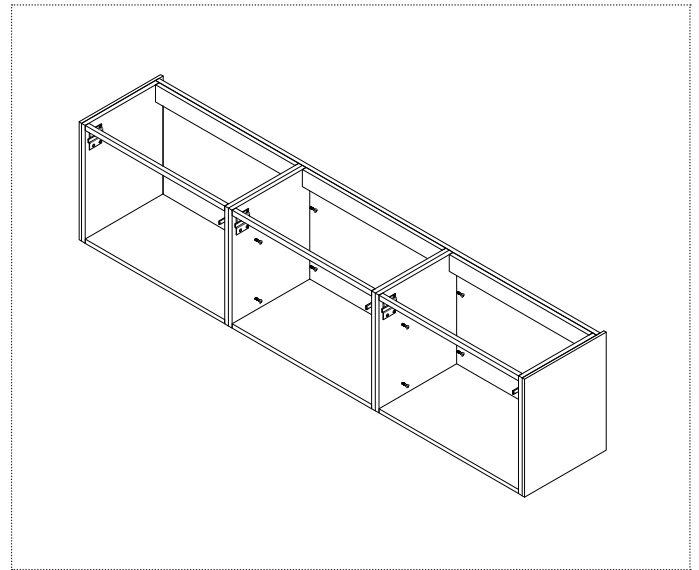
NB: In caso di posizionamento della sorgente luminosa in portalavabi predisporre un collegamento IP68.

PS: If the light source is positioned in a sink unit, prepare an IP68 connection

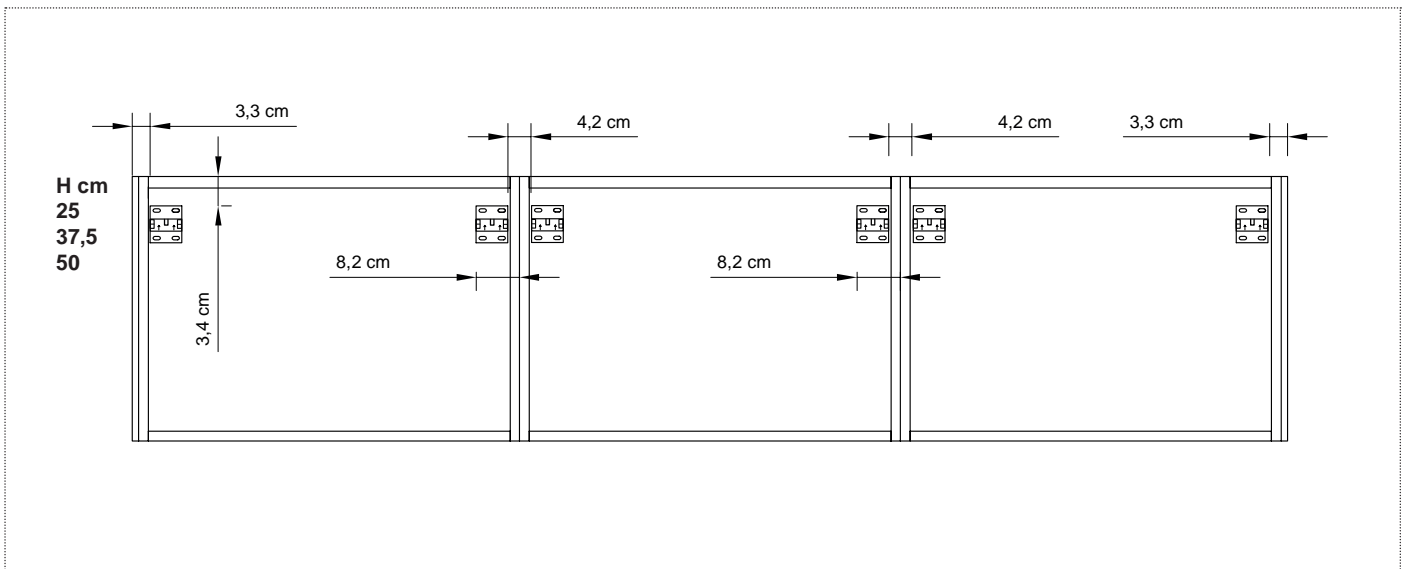




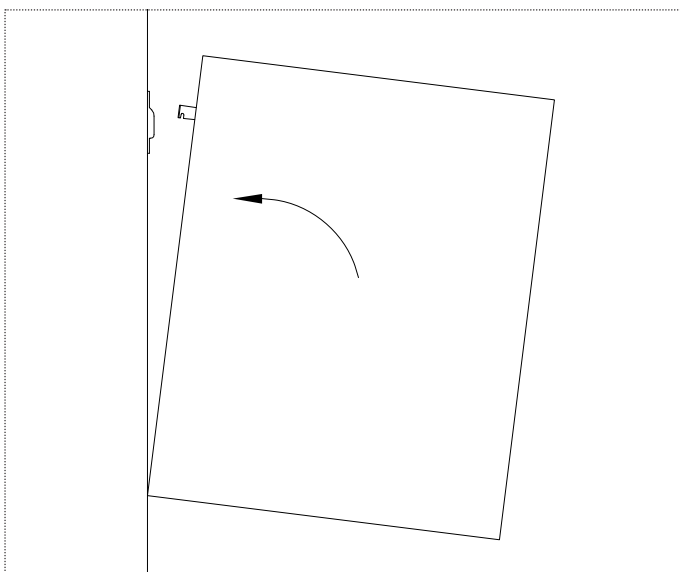
1_ Prepare your cabinets on the floor before assembly.



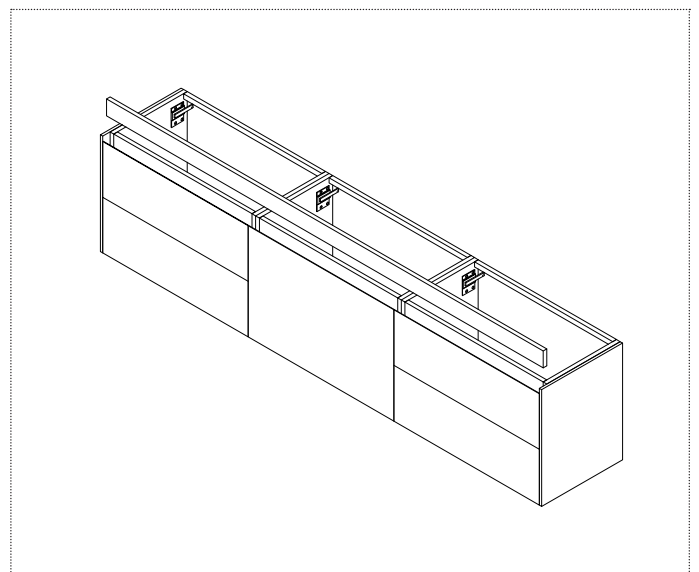
2_ Assemble the cabinets together using the screws provided.



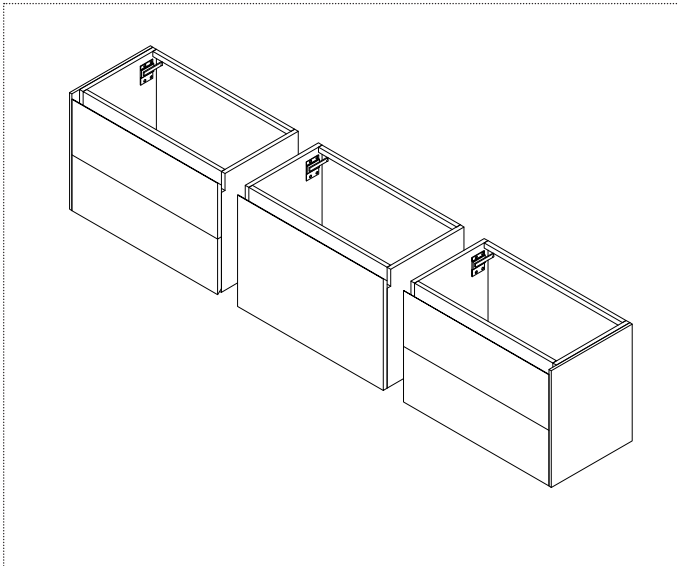
3_ Position and secure the supporting wall plates to the dimensions given.



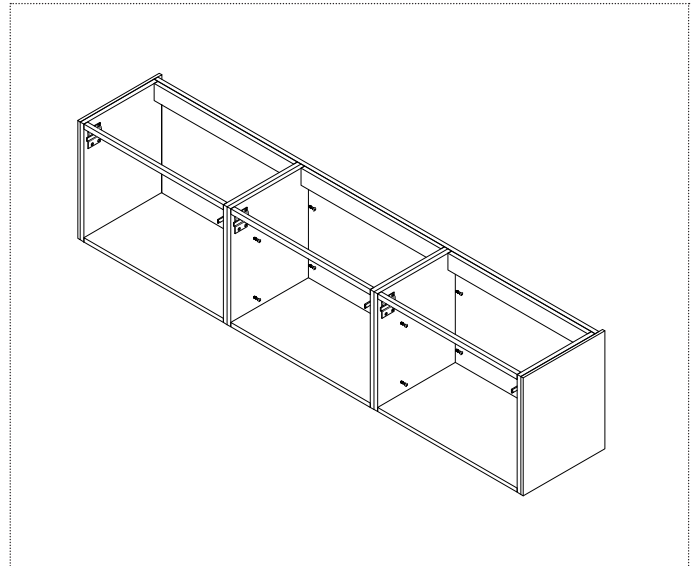
4_ Hang the cabinets on the wall.



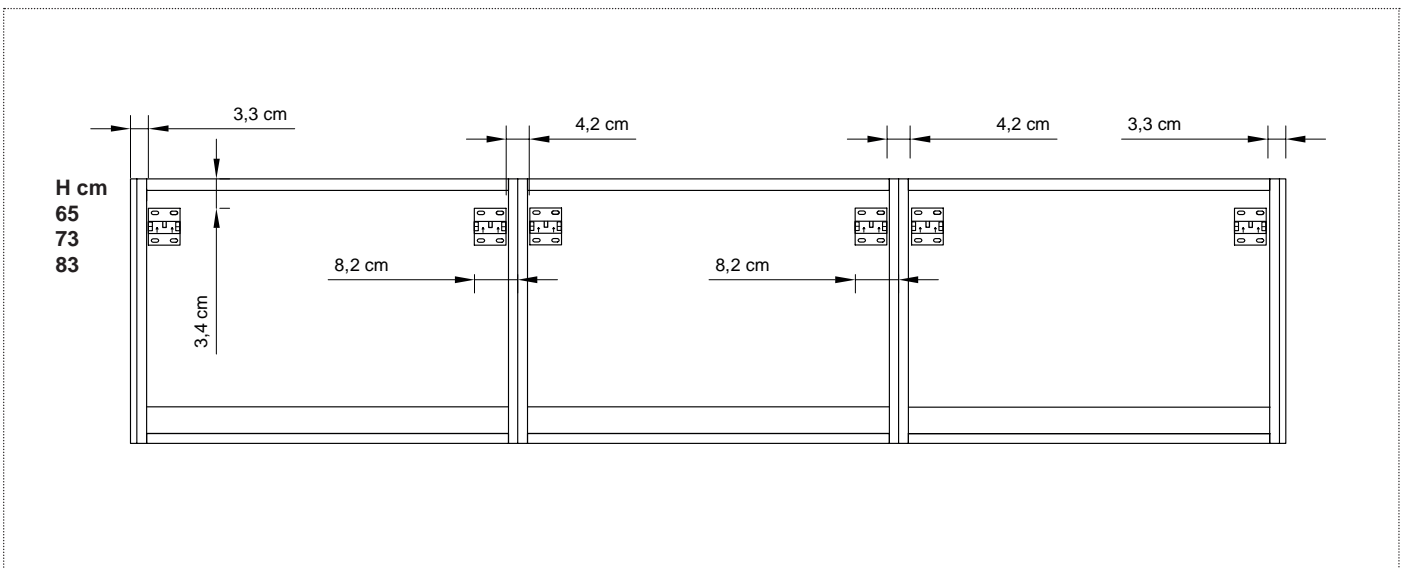
5_ Insert and secure the front finishing panel.



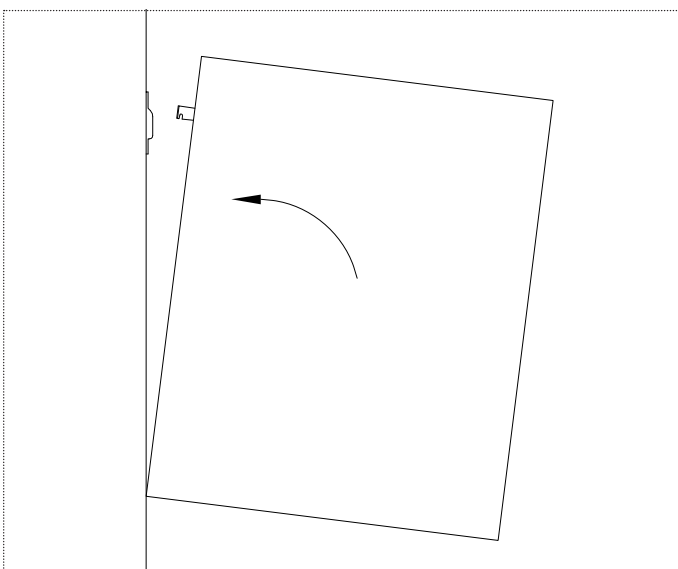
1_ Prepare your cabinets on the floor before assembly.



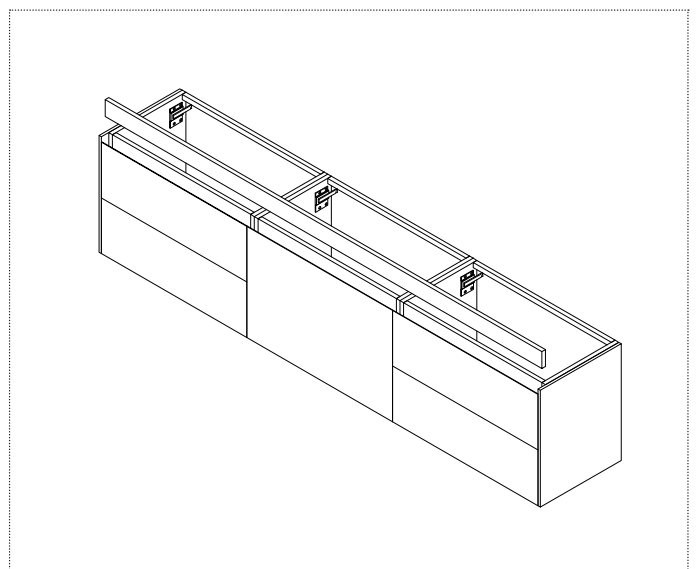
2_ Assemble the cabinets together using the screws provided.



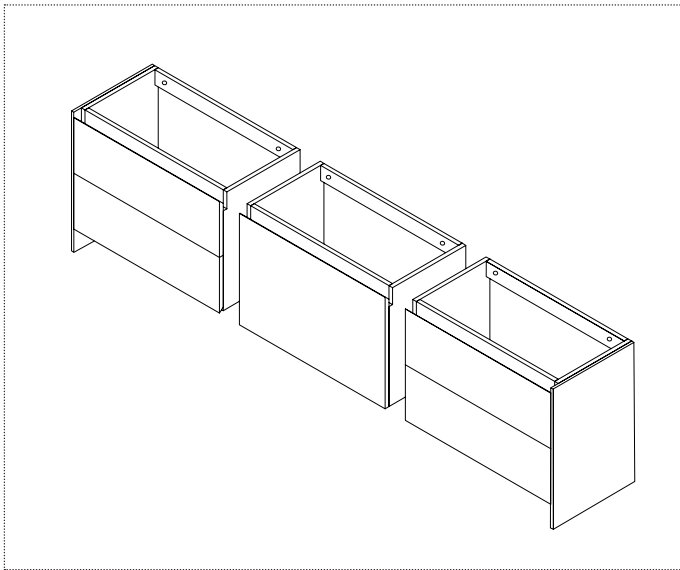
3_ Position and secure the supporting wall plates to the dimensions given.



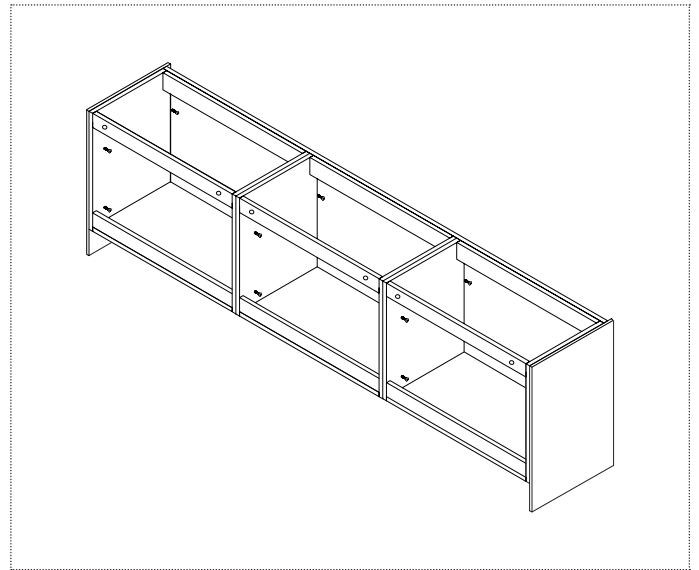
4_ Hang the cabinets on the wall.



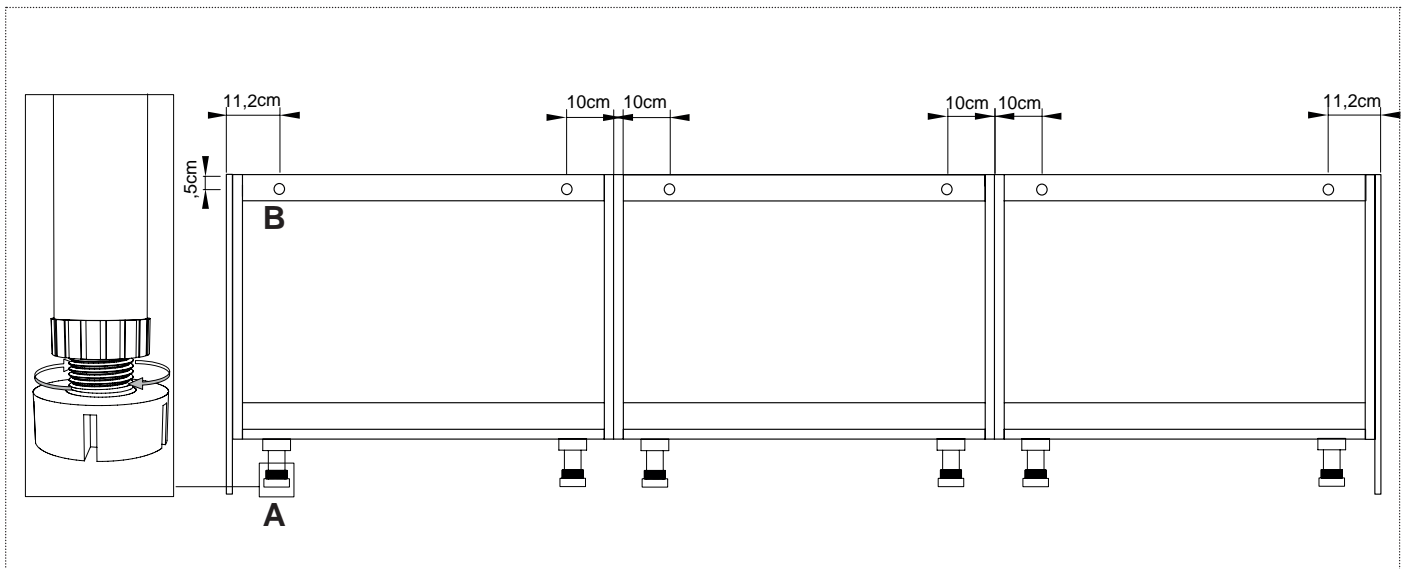
5_ Insert and secure the front finishing panel.



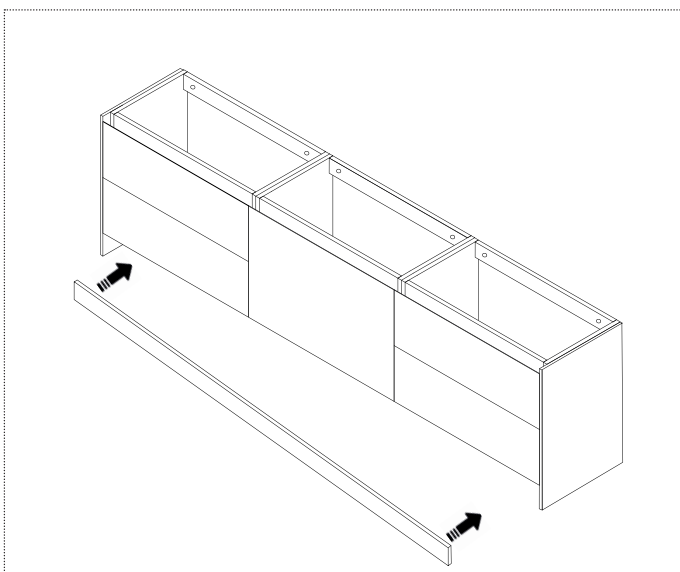
1_ Prepare your cabinets on the floor before assembly.



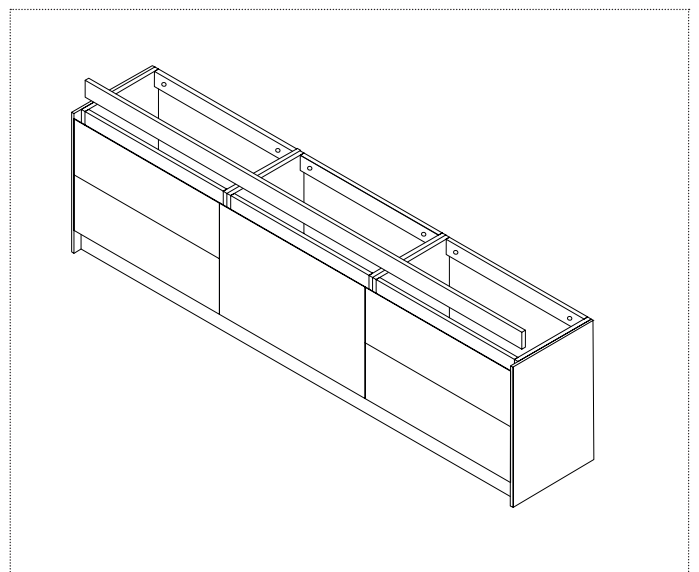
2_ Assemble the cabinets together using the screws provided.



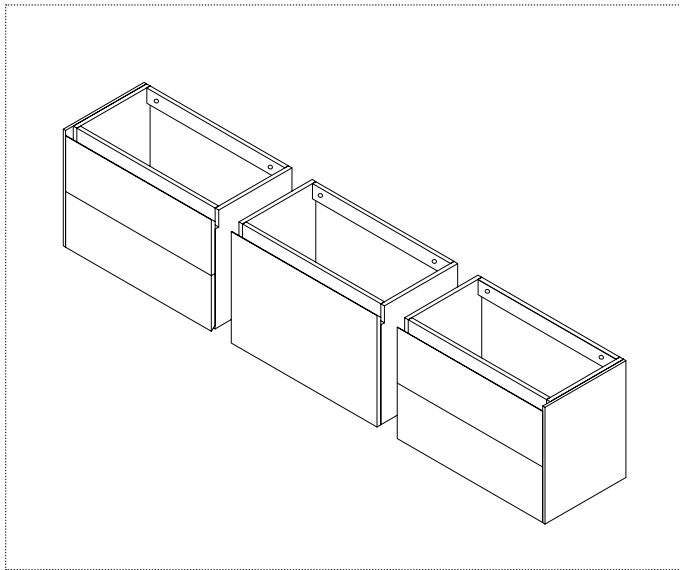
3_ Level the cabinet using the support legs underneath by turning them clockwise or counterclockwise (A). When completed fix the cabinet to the wall using the appropriate supports. (B).



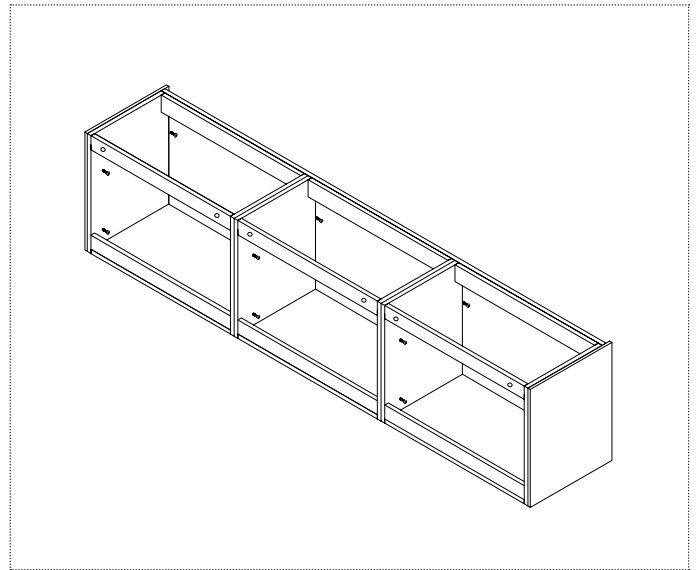
4_ Fix the plinth art. ZOCCOLO to the legs art. PIEDINO



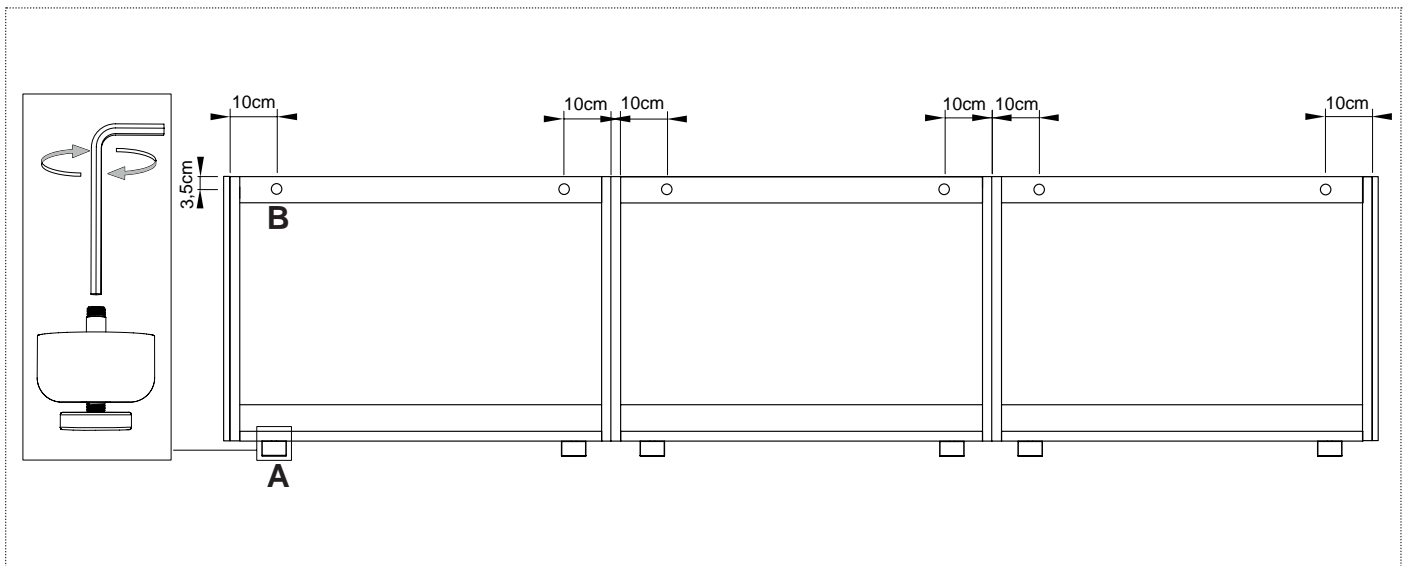
5_ Insert and secure the front finishing panel.



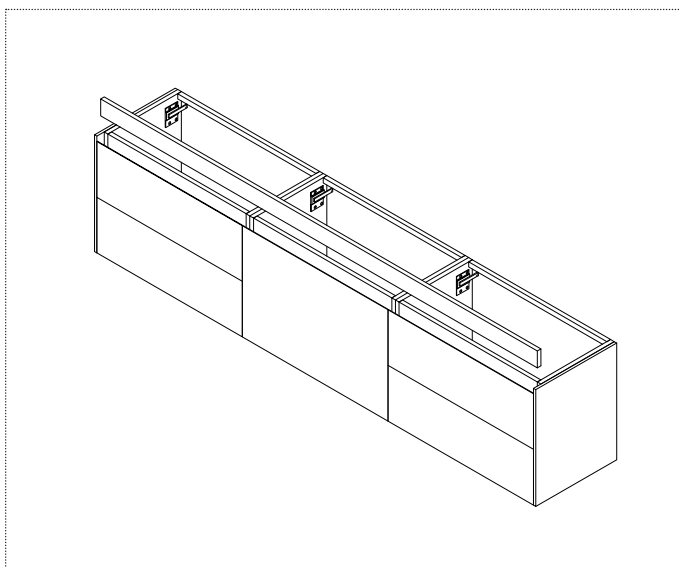
1_ Prepare your cabinets on the floor before assembly.



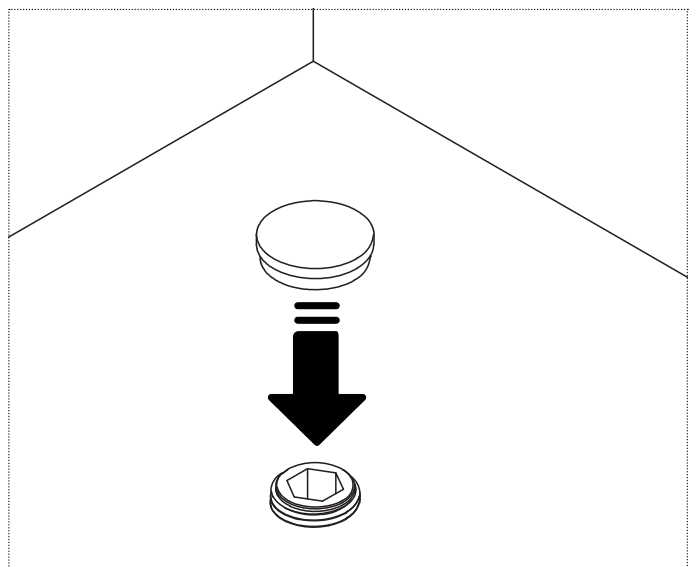
2_ Assemble the cabinets together using the screws provided.



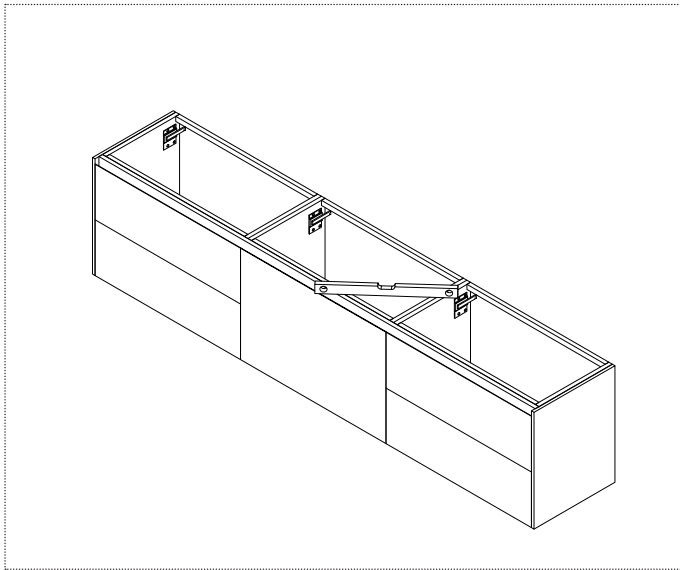
3_ Level the cabinet using the support legs raising or lowering them with the aid of an Allen wrench from the inside of the cabinet (A). When completed fix the cabinet to the wall using the appropriate supports. (B).



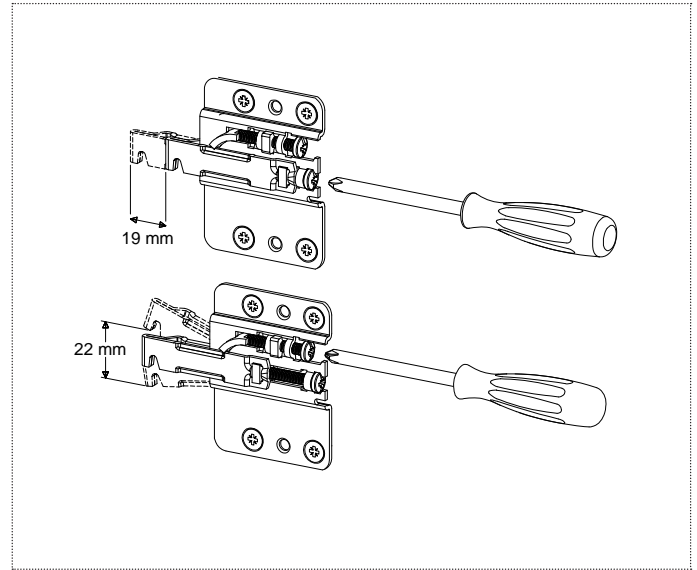
4_ Insert and secure the front finishing panel.



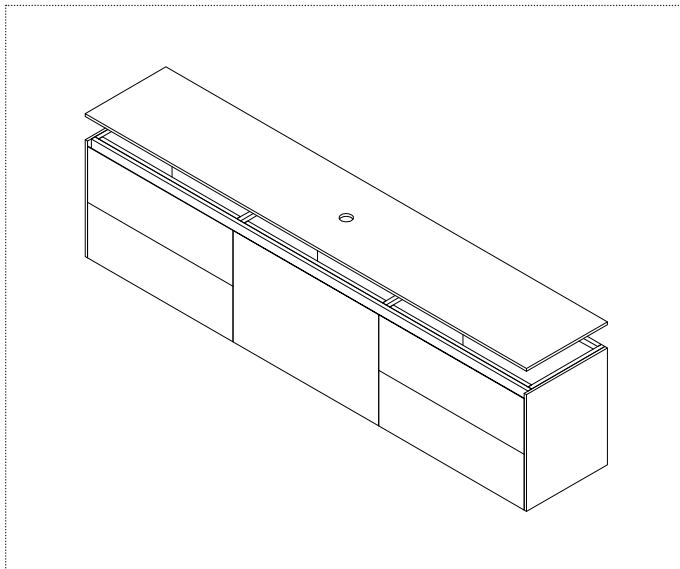
5_ Place the caps (located on the side of the legs art. PIEDINO) inside the cabinet to cover the screws.



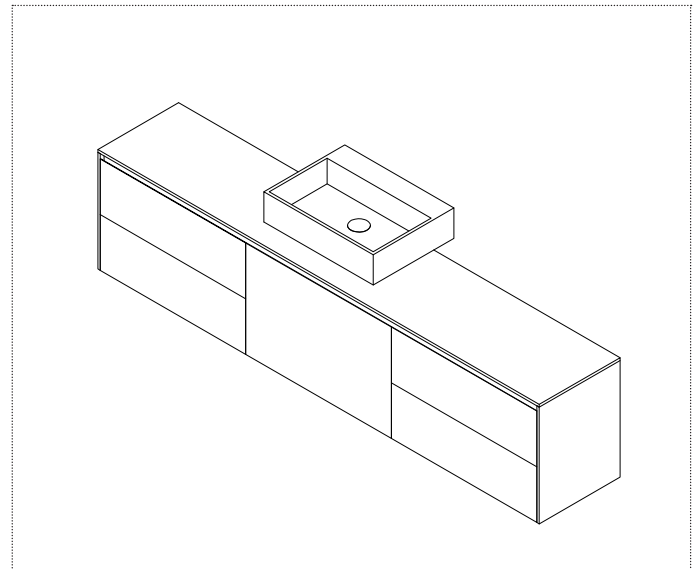
6_ Level the cabinets following point number 7.



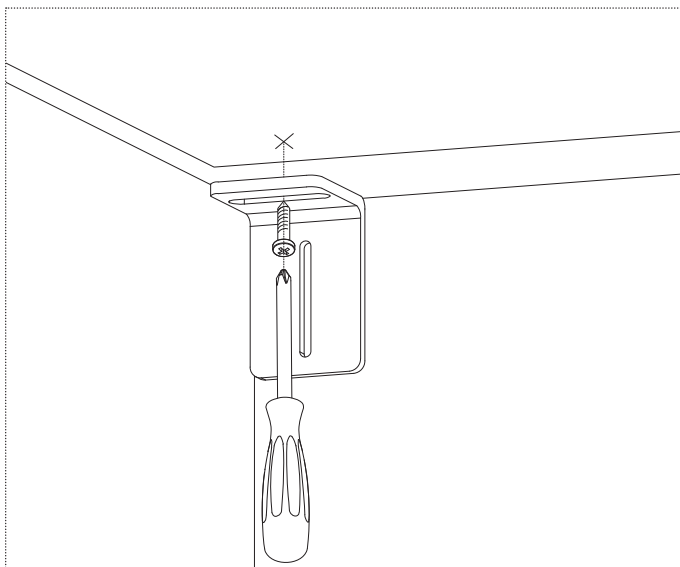
7_ Tighten and register the cabinet to obtain the desired position.



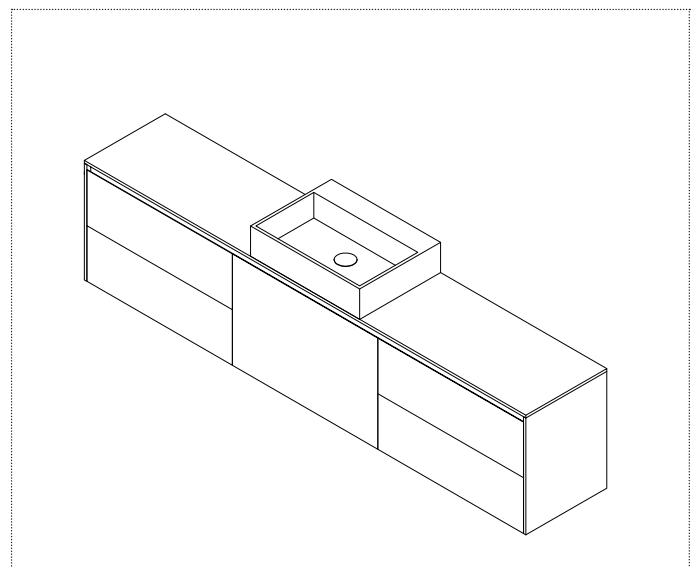
8_ Proceed with sealing the top surface of the cabinets and position the top.



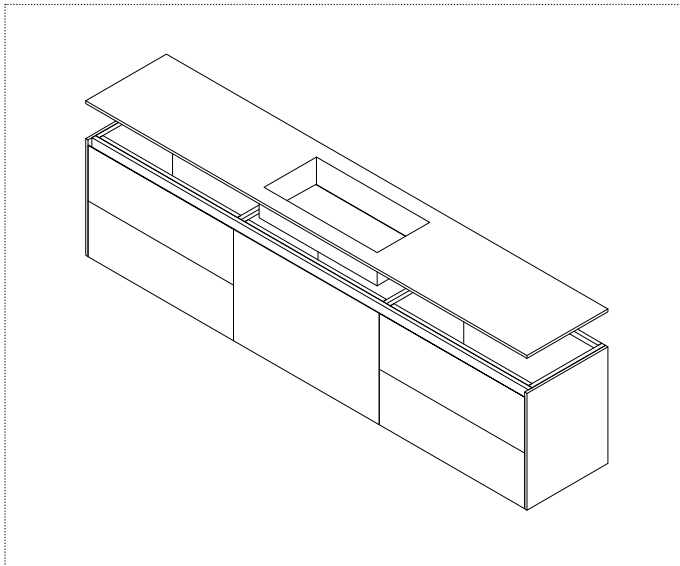
9_ Position and seal the sink with non acidic silicone.



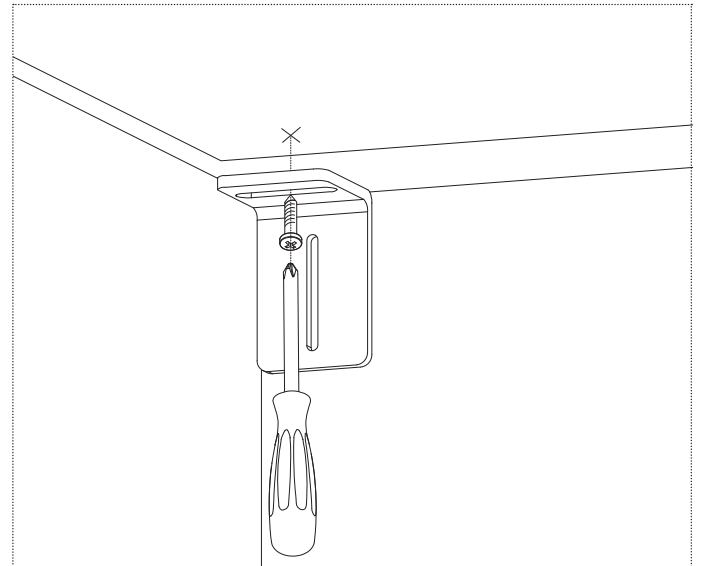
10_ Connect the top with the brackets placed on all 4 corners of the cabinet.



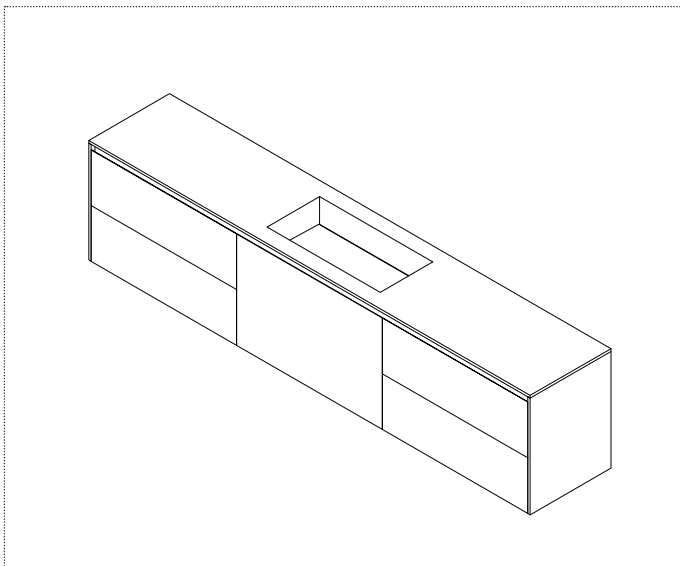
11_ Once assembly is completed we advise to apply non acidic silicone between top and wall.



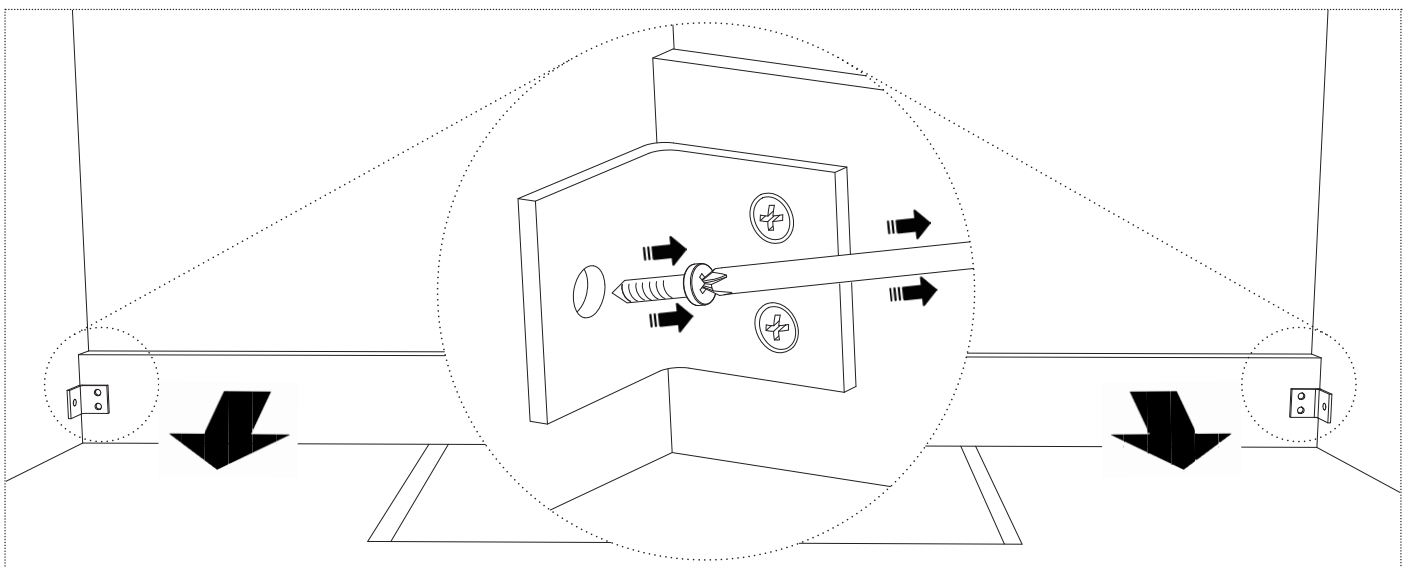
8_ Proceed with sealing the top surface of the cabinets and position the top.



9_ Connect the top with the brackets placed on all 4 corners of the cabinet.



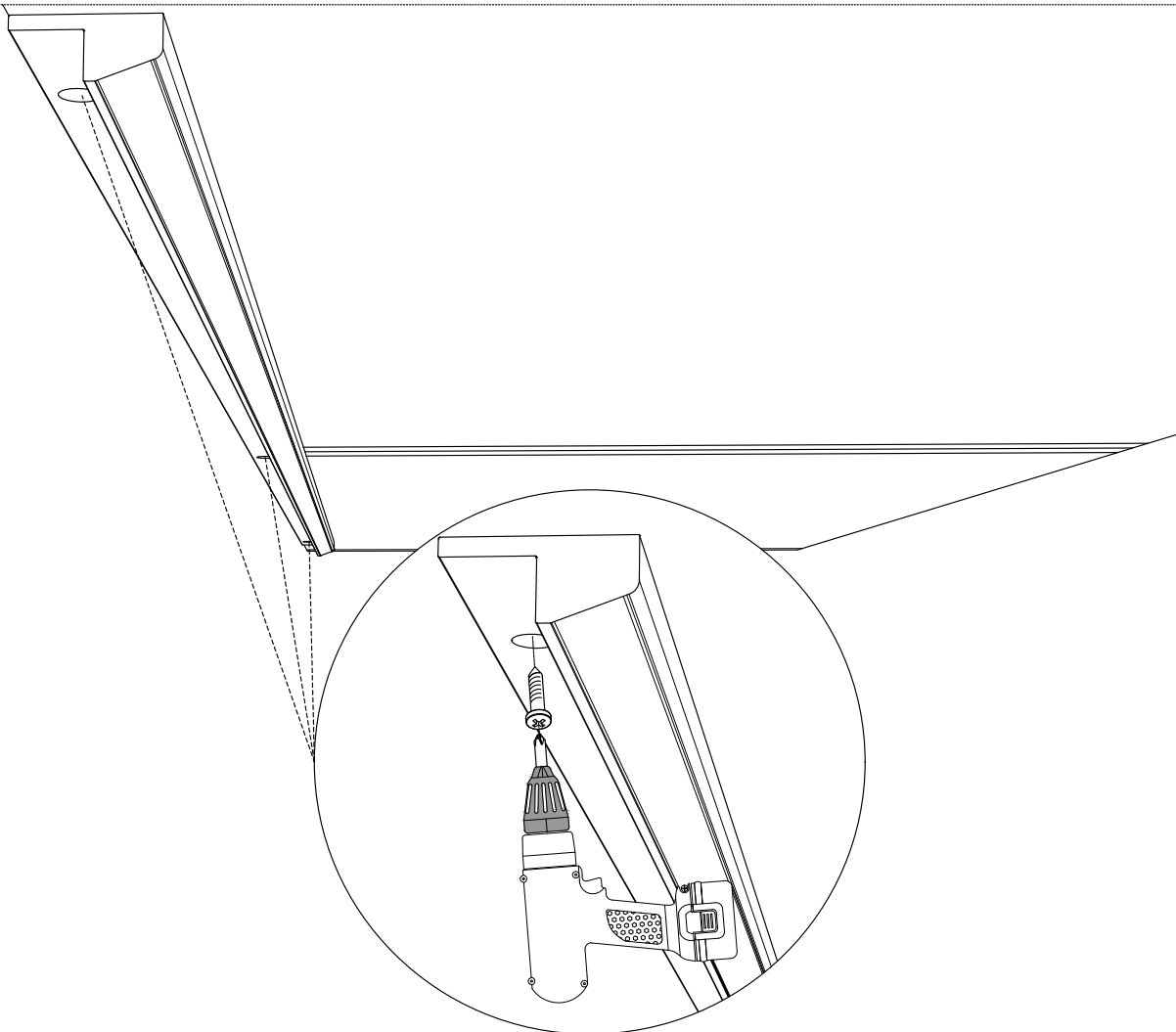
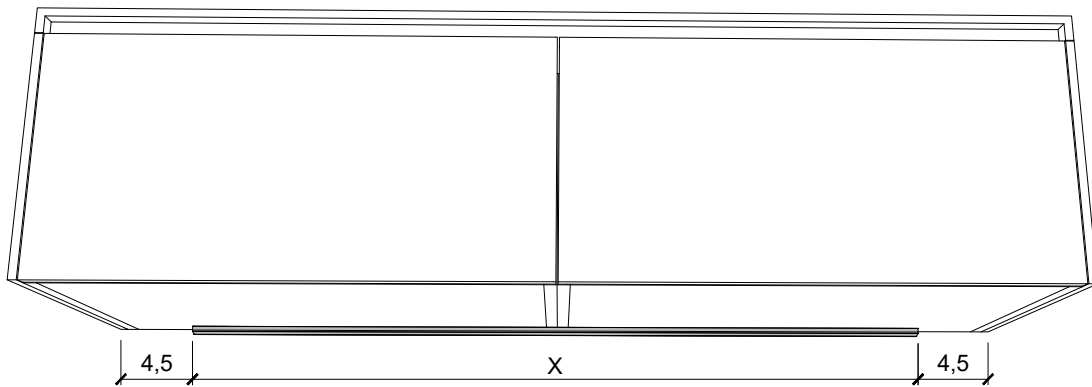
10_ Once assembly is completed we advise to apply non acidic silicone between top and wall.



P.S. In case of a Piana collection sink unit H 25 cm or H 37.5 cm greater than 108 cm L., once installation is complete, remove the lower band by unscrewing the 6 screws and removing the brackets. Place the two caps supplied in the appropriate holes.

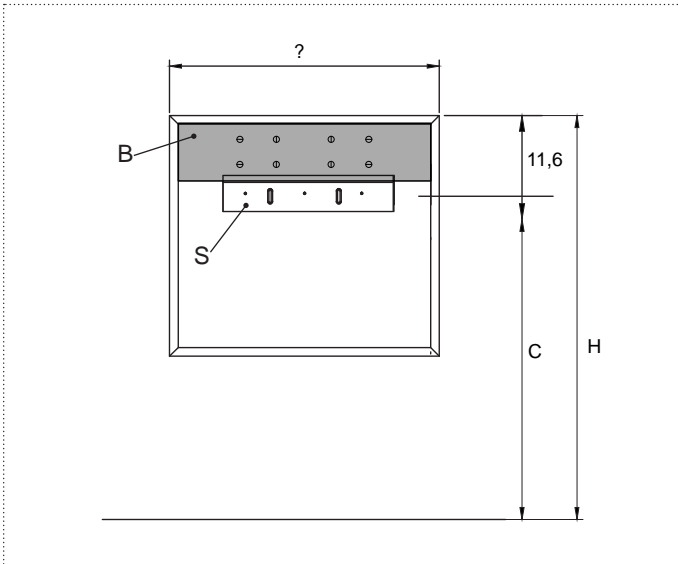


EN_ Carry out this step only if the product was ordered including the LED lighting Art. BARRALED

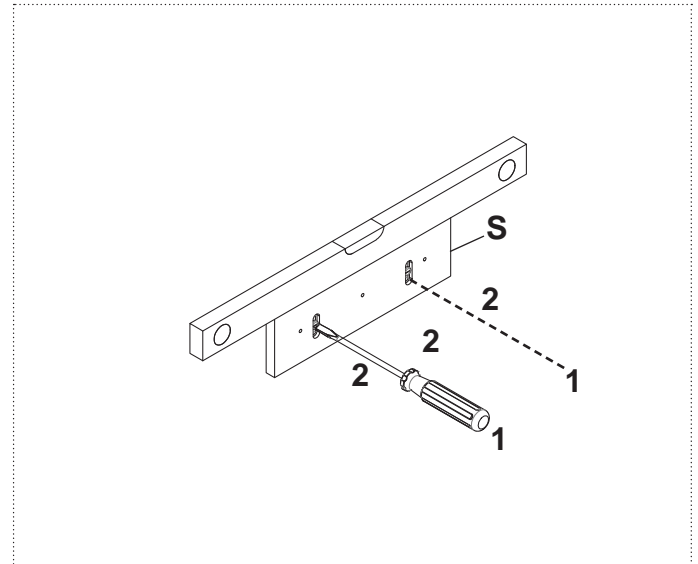


EN_ Fix the Art. BARRALED on the bottom of the cabinet using the screws provided. P.S: The number of holes varies depending on the length of the cabinet.

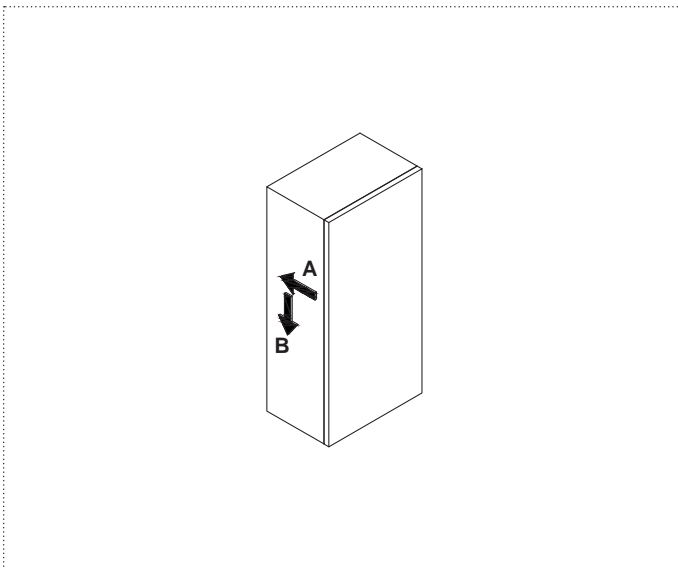




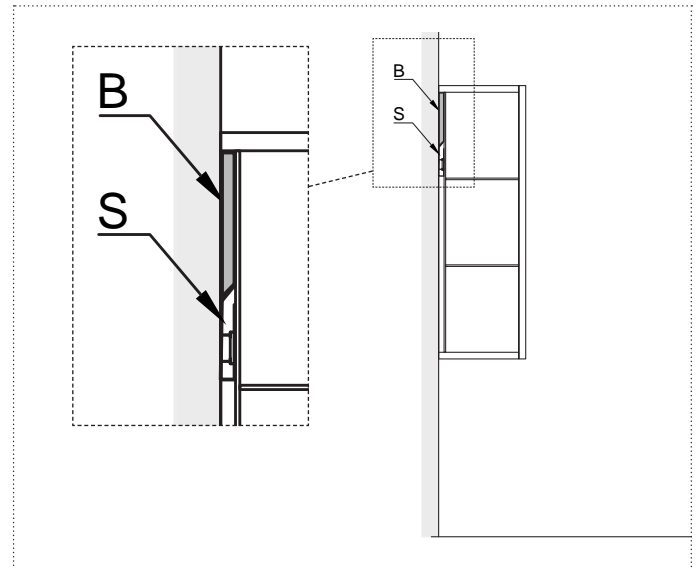
1_ To install the cabinet at the desired height. Trace the position of the holes in the support S, making sure that the holes drilled are at C height ($C=H-11,6$ cm).



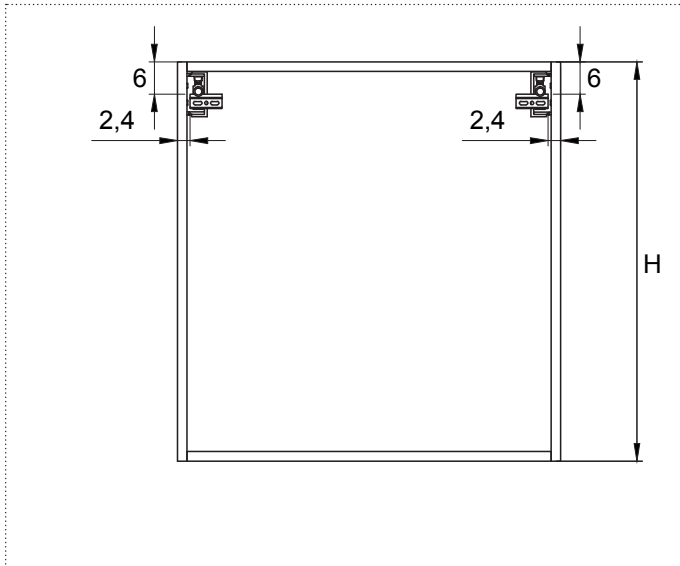
3_ Fix supports S at the determined height, if you have more cabinets side by side repeat the same actions



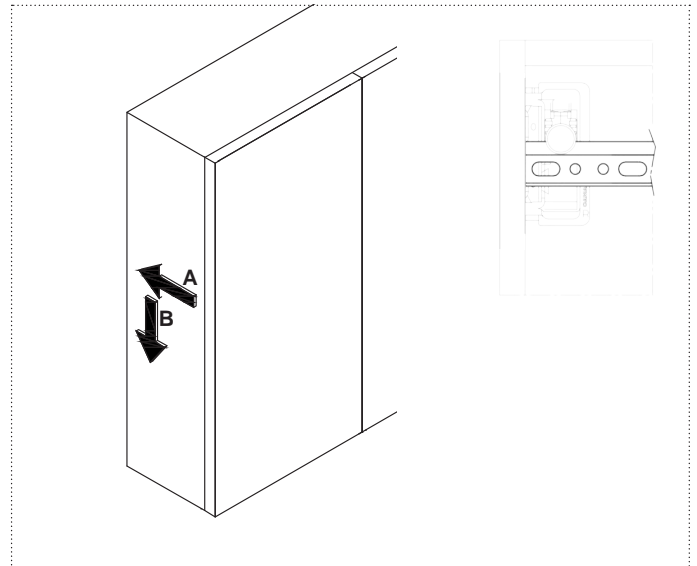
3_ Hang the cabinet on the support as shown.



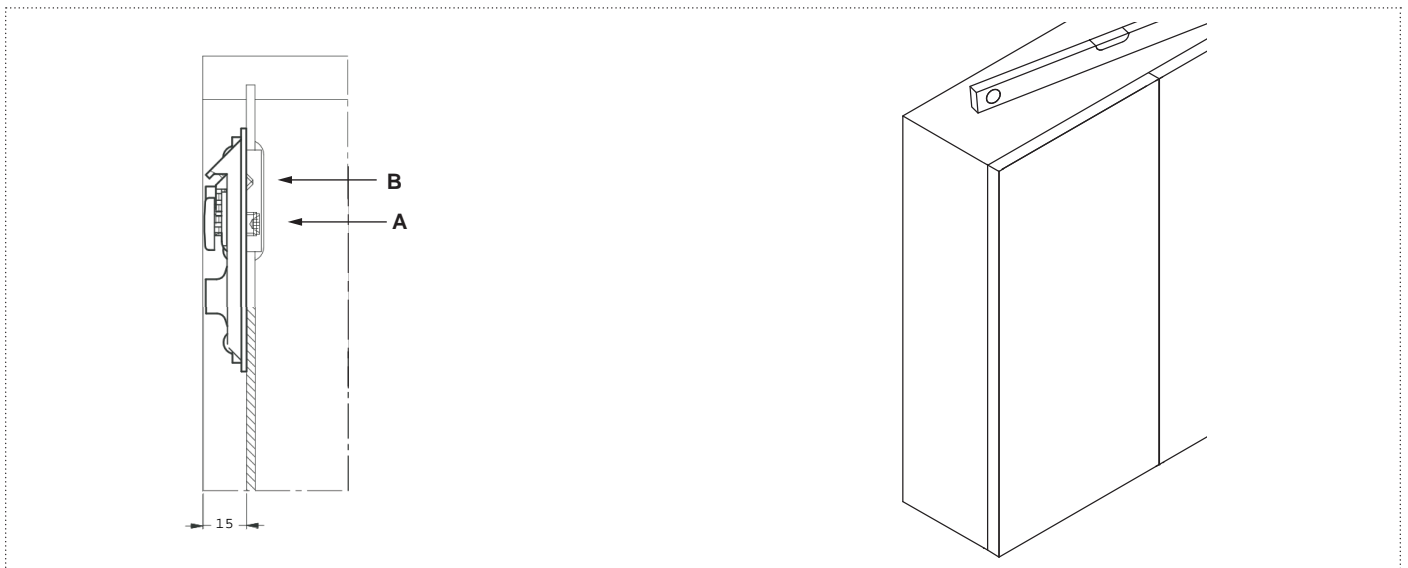
4_ Detail of wall support.



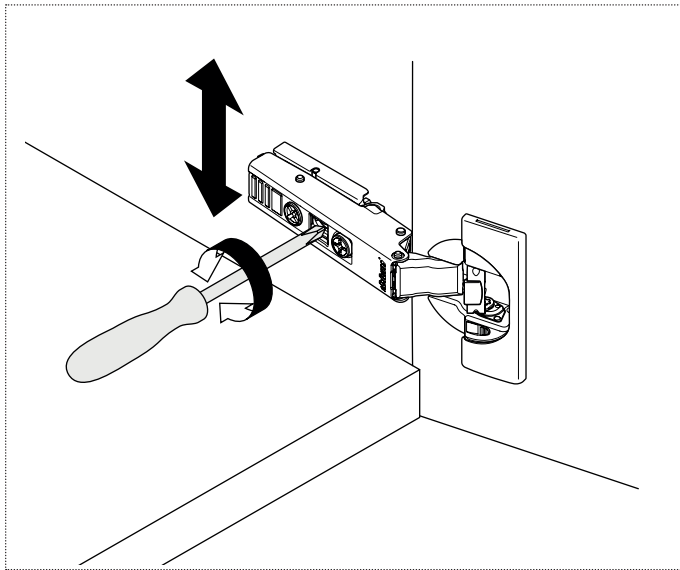
1_ Position and fix the wall support to the wall at the height desired.



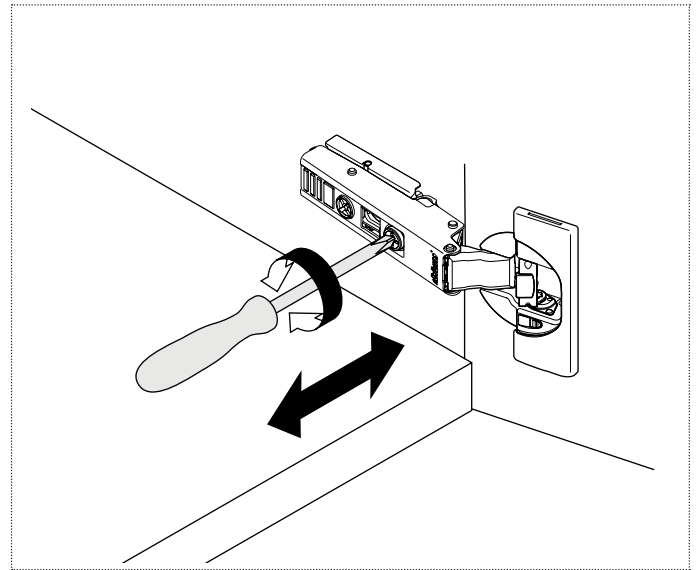
2_ Fix the cabinets to the wall



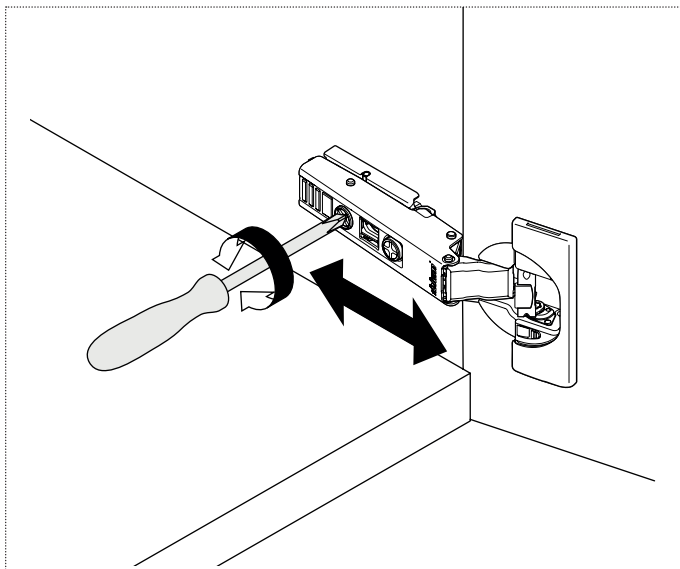
3_ Level the cabinets using the B screws and tighten screws A



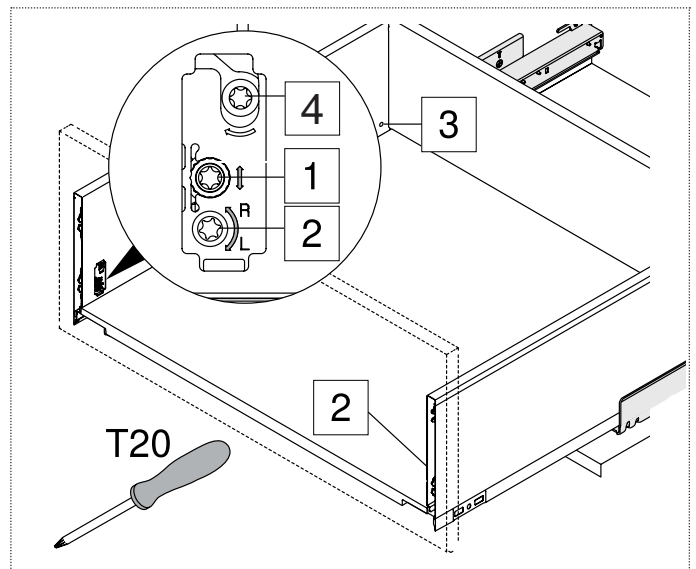
10_ Vertical hinge adjustment for door front.



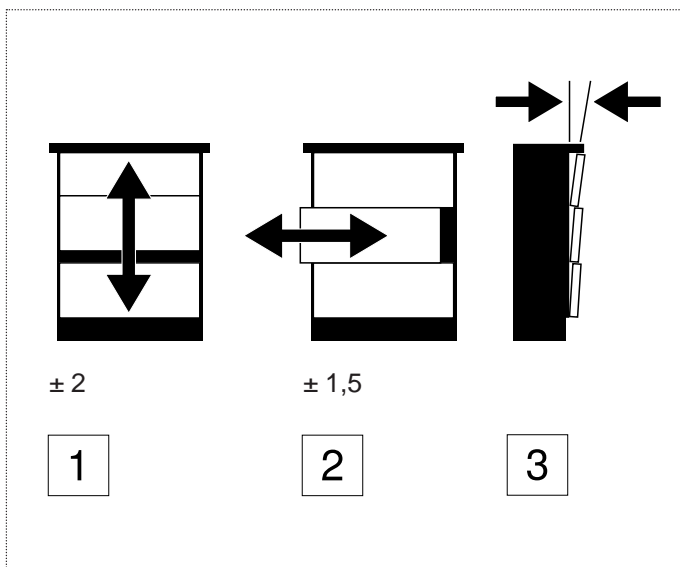
11_ Lateral hinge adjustment for door front.



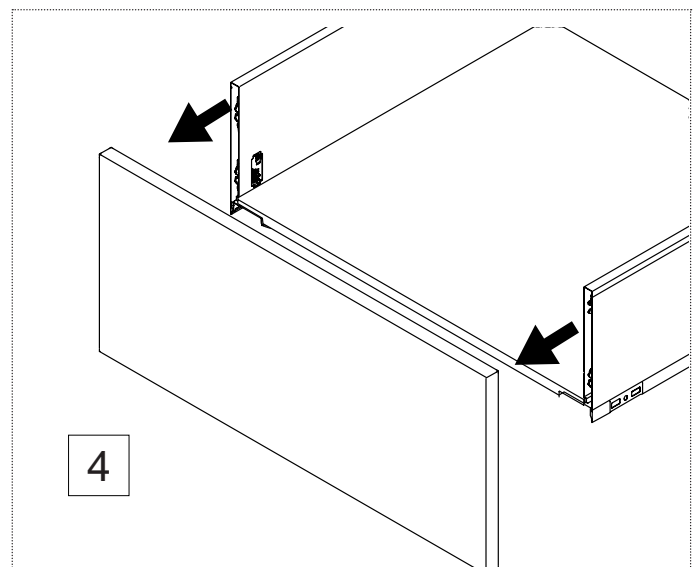
12_ Front hinge adjustment for door front.



13_ Drawer adjustment.



14_ Adjustment in height, position and inclination. Note: adjustments must be done on both sides.



15_ Drawer front removal.

antoniolupi

73

VIA MAZZINI

75

Antonio Lupi Design S.p.A.
via Mazzini 73/75 - 50050 Stabbia
Cerreto Guidi (Firenze) - Italy
T +39 0571 586881_95651
F +39 0571 586885
www.antoniolupi.it
lupi@antoniolupi.it