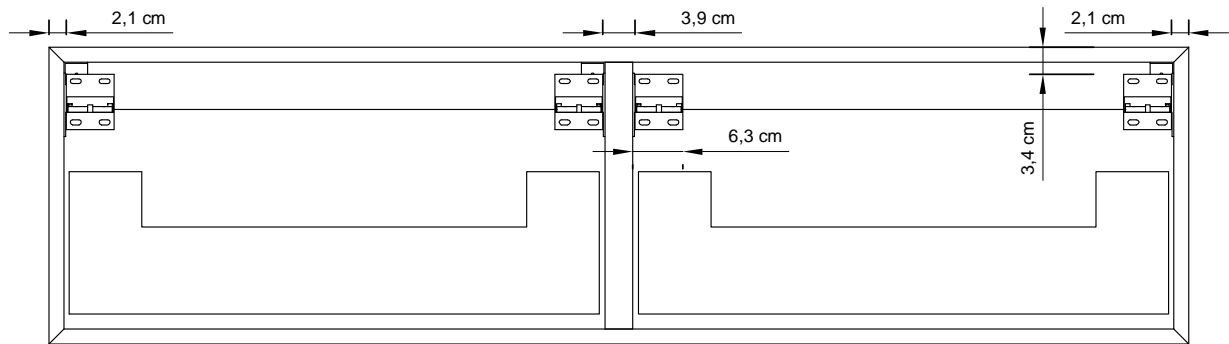


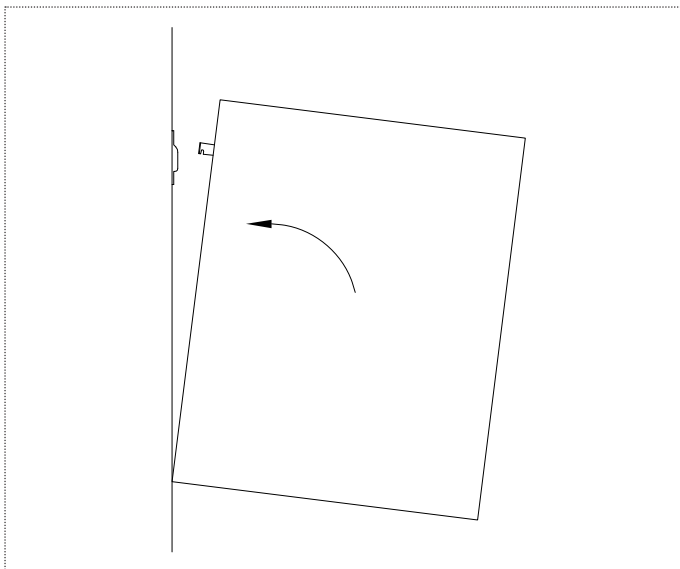
PLANETA/PANTA REI design Carlo Colombo



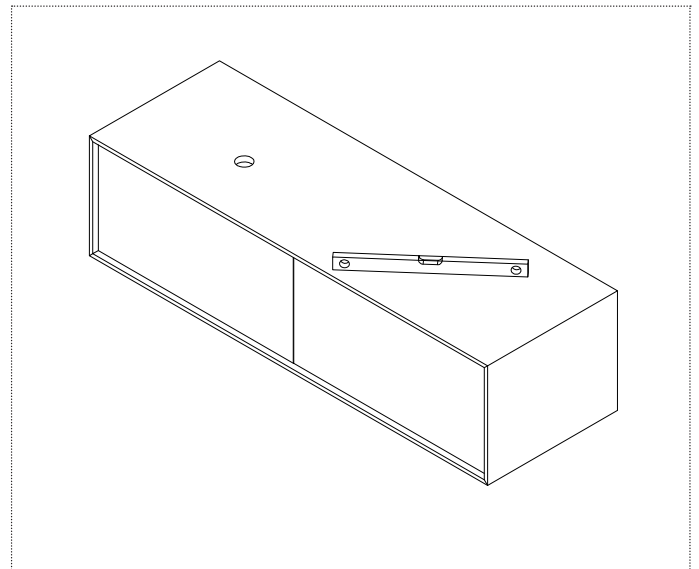
**antoniolupi**  
bagnarsi ad arte\_bathing with art



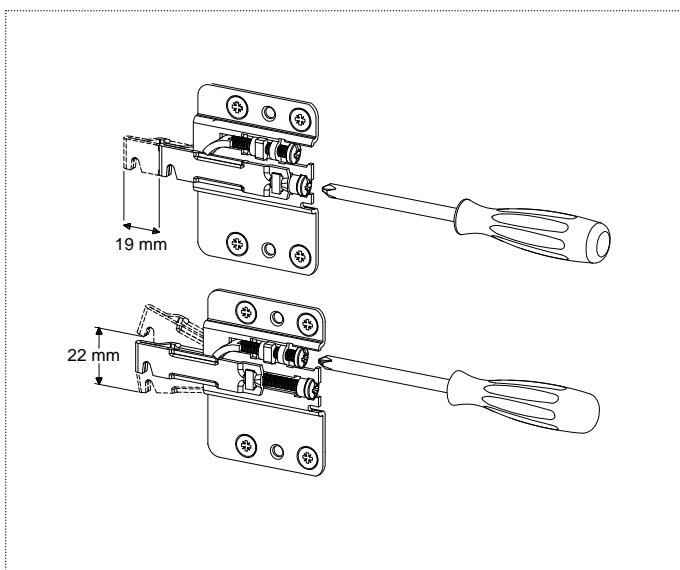
1\_ Position and secure the supporting wall plates to the dimensions given.



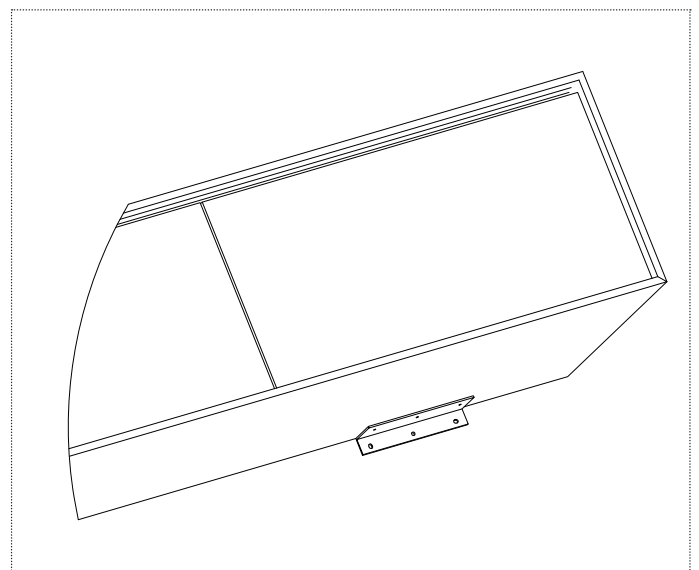
2\_ Hang the cabinets on the wall.



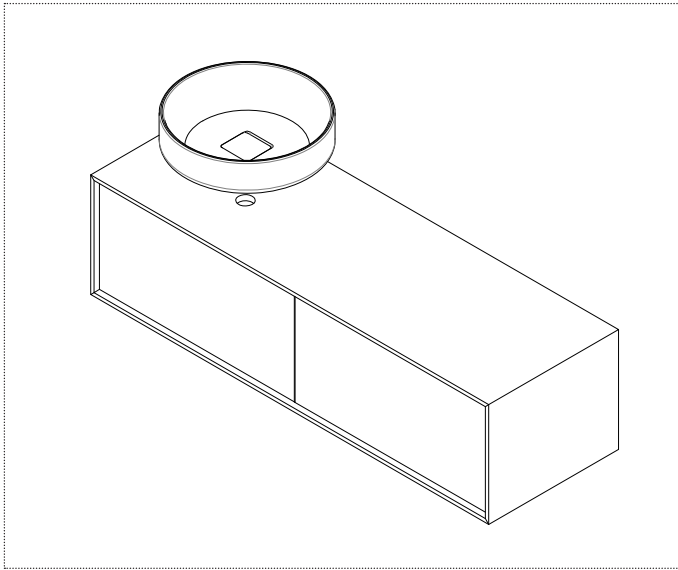
3\_ Level the cabinets following point number 4.



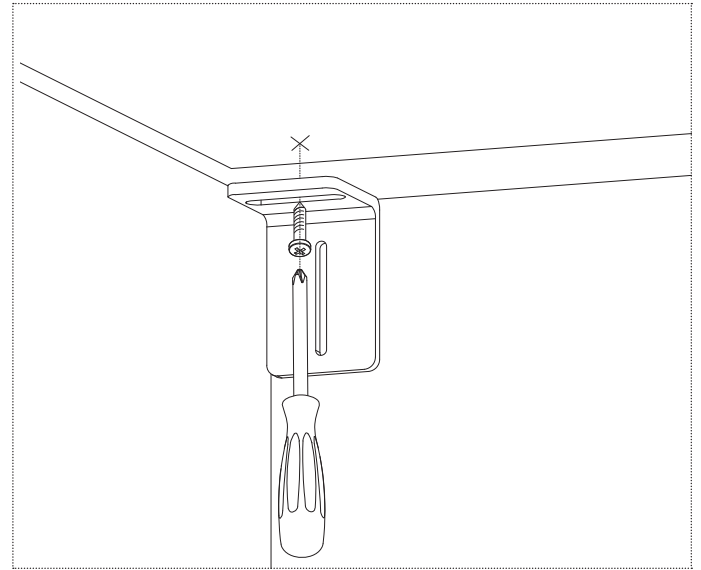
4\_ Tighten and register the cabinet to obtain the desired position.



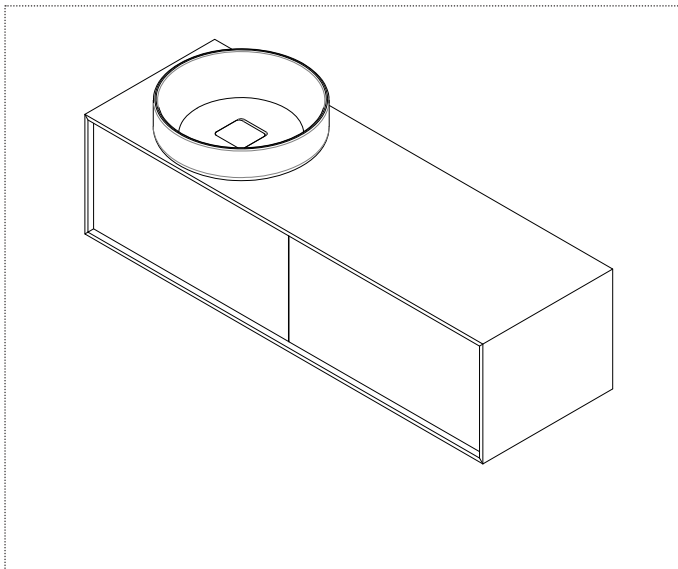
5\_ Fix the supporting L bracket to the cabinet and to the wall (supplied only upon request).



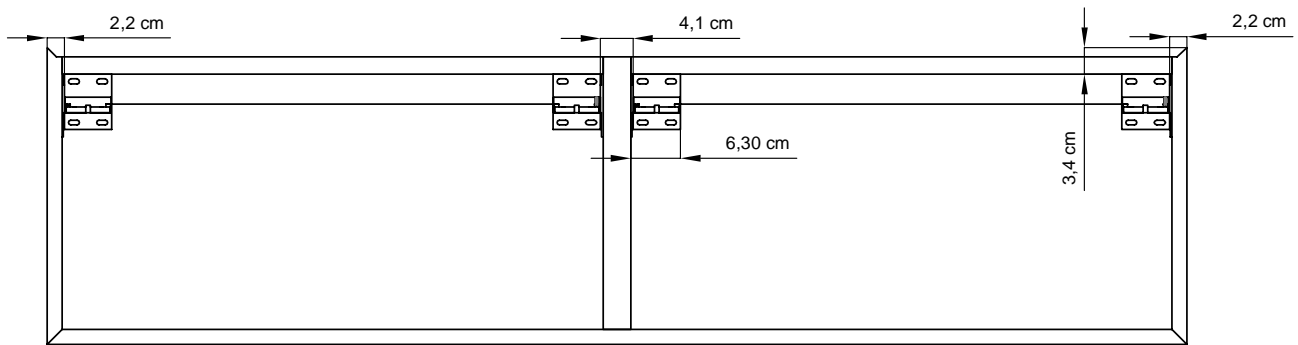
6\_ Position and seal the sink with non acidic silicone.



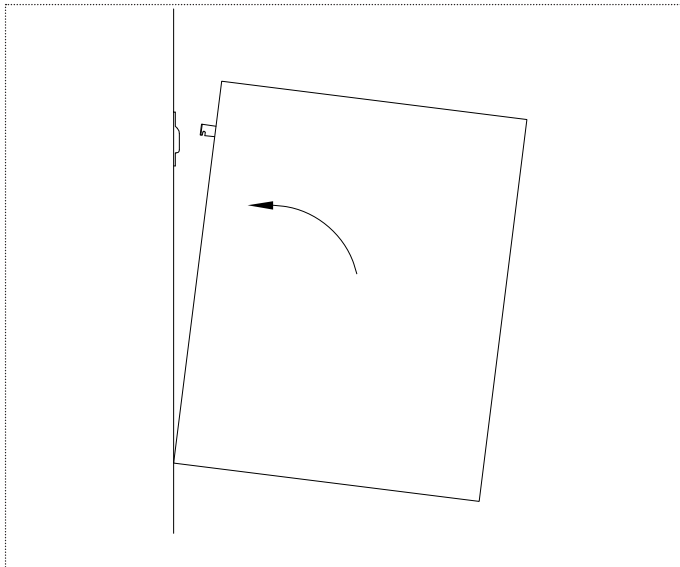
7\_ Connect the top with the brackets placed on all 4 corners of the cabinet.



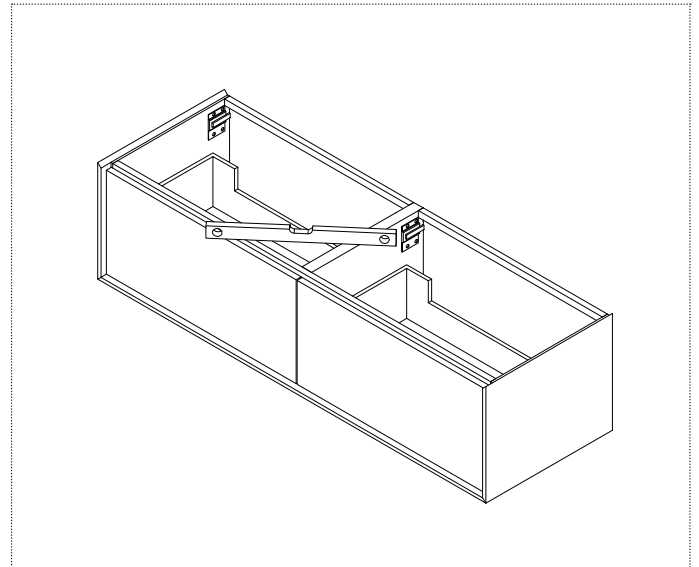
8\_ Once assembly is completed we advise to apply non acidic silicone between top and wall.



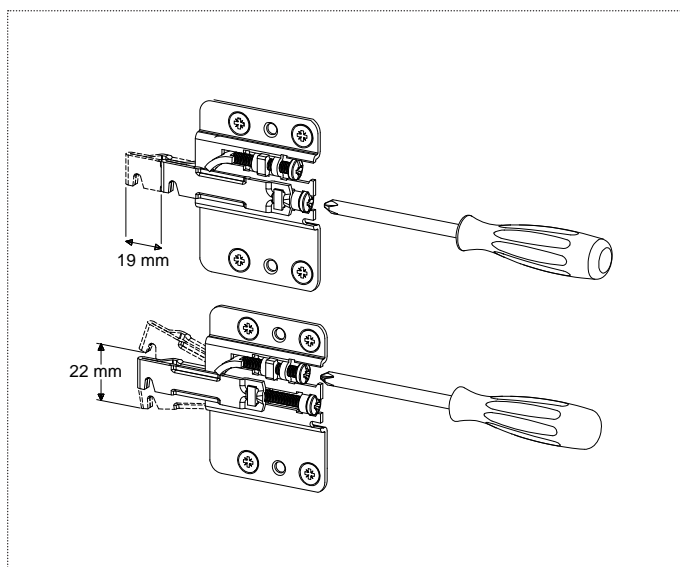
1\_ Position and secure the supporting plates to the dimensions given



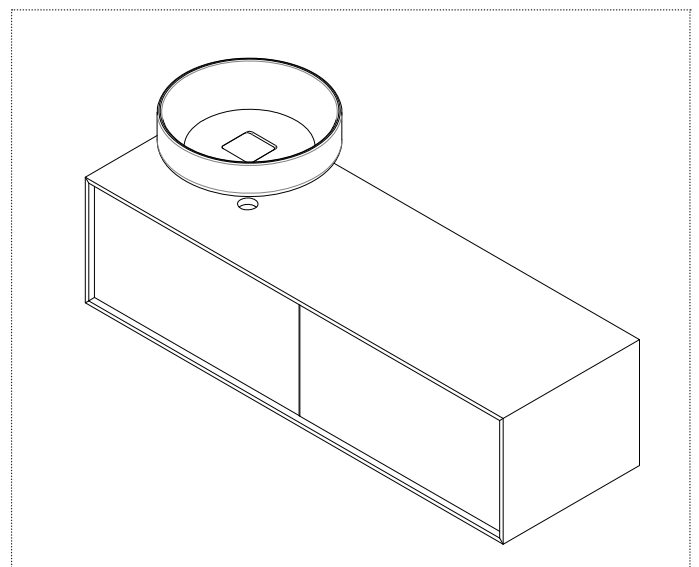
2\_ Hang the cabinets on the wall.



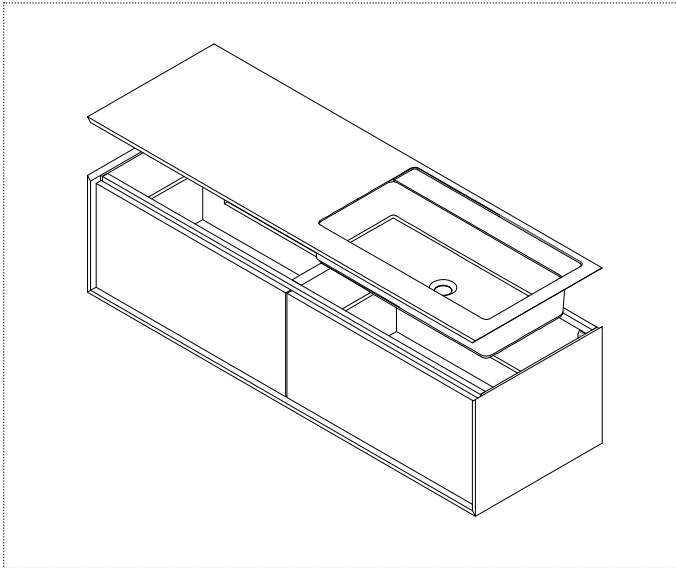
3\_ Level the cabinets.



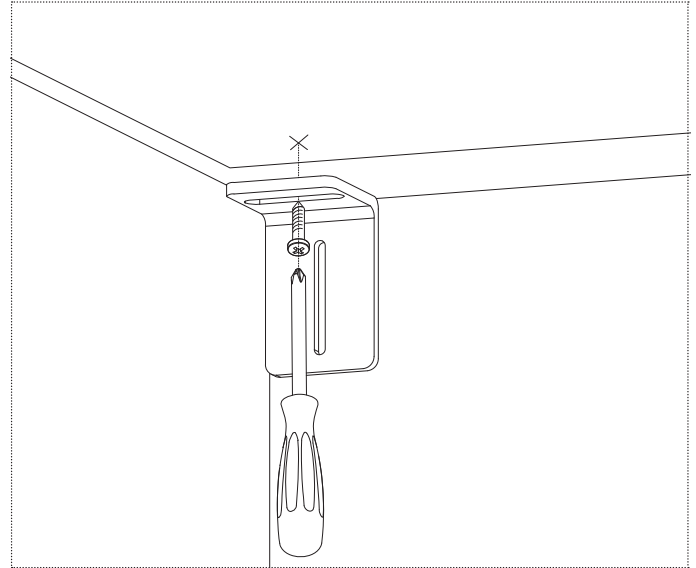
4\_ Tighten and register the cabinet to obtain the desired height or distance from the wall.



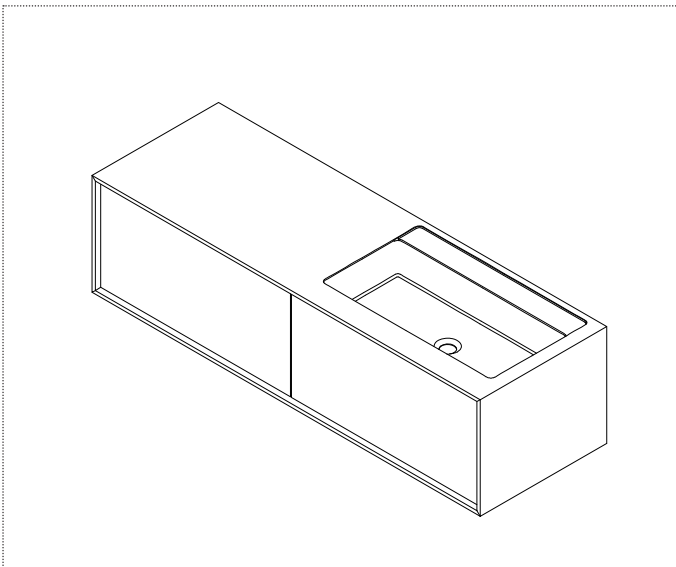
5\_ Fix the supporting L bracket to the cabinet and to the wall (supplied only upon request).



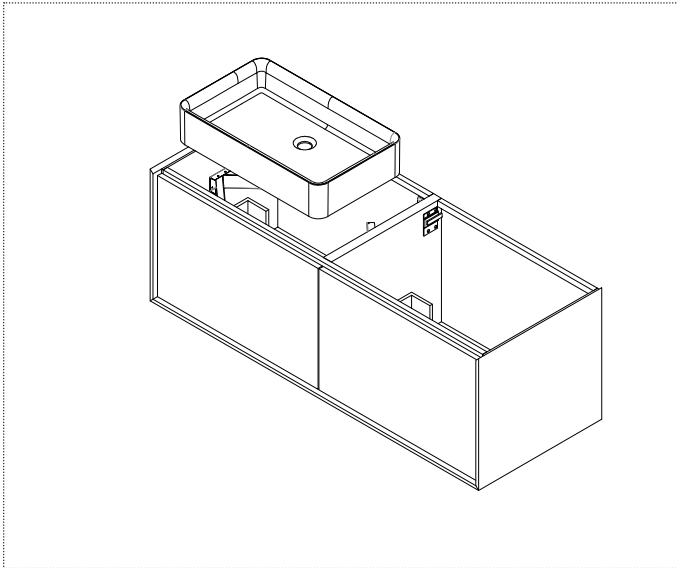
**6\_** Proceed with sealing the top surface of the cabinets and position the top.



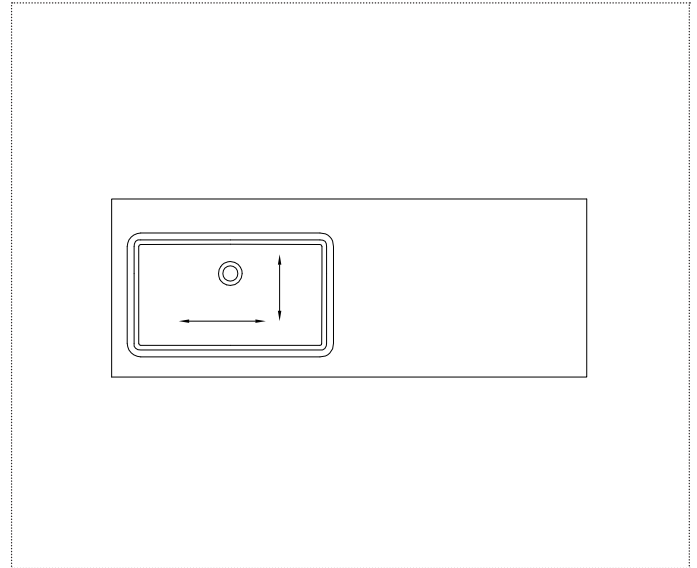
**7\_** Connect the top with the brackets placed on all 4 corners of the cabinet.



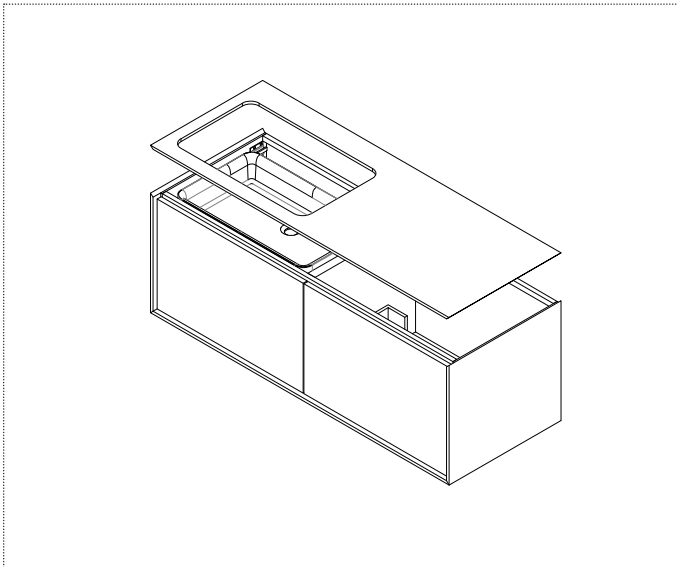
**8\_** Once assembly is completed we advise to apply non acidic silicone between top and wall.



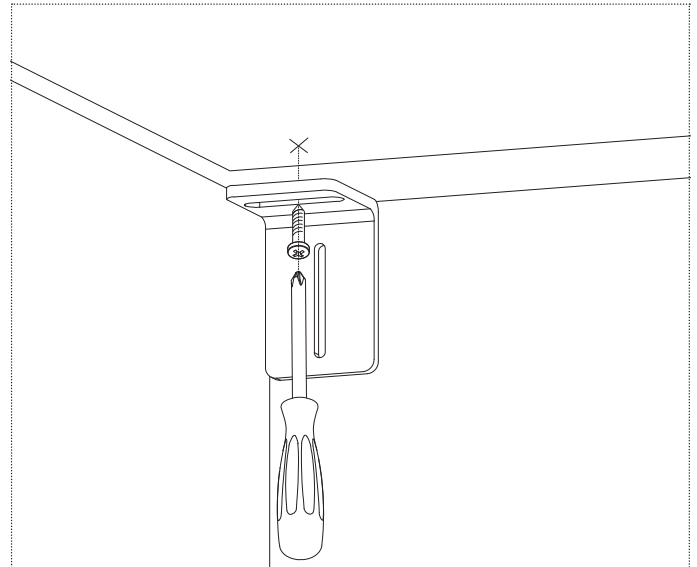
**5\_** Place the sink on the supporting brackets and regulate the screws to level the sink.



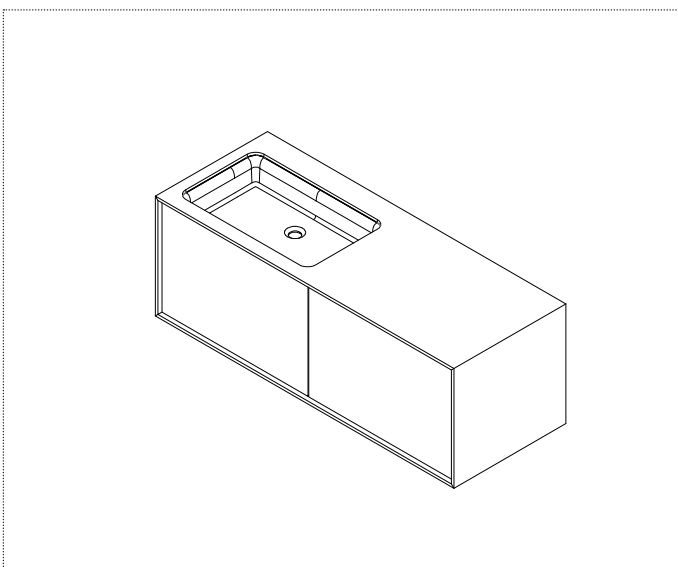
**6\_** Carefully position the top to avoid moving the sink and regulate in accordance to the sink hole to obtain mutual centering.



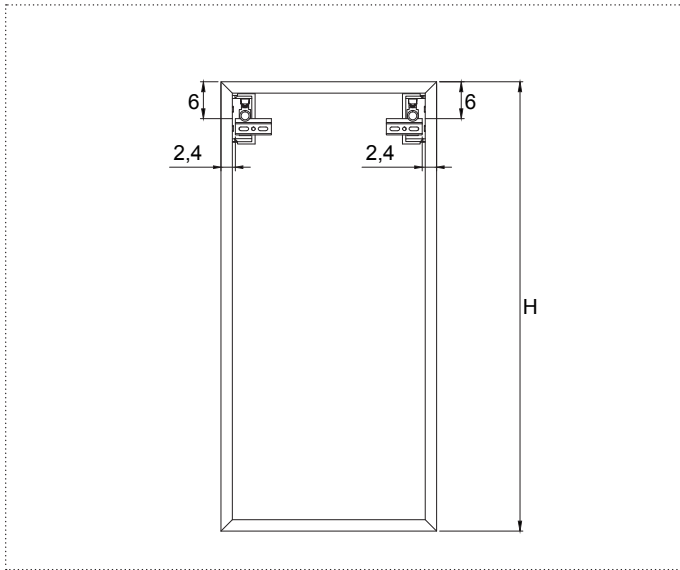
**7\_** Remove the top gently so as not to move the sink. Proceed with sealing the sink and top and reposition the top.



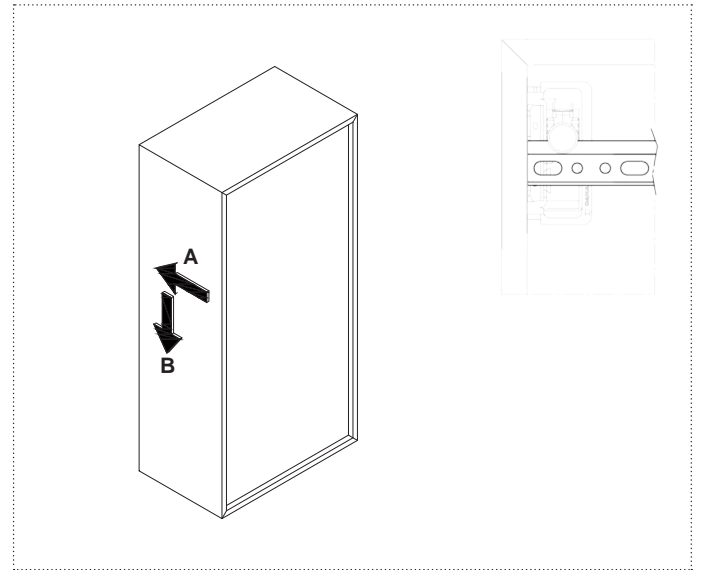
**8\_** Connect the top with the brackets placed on all 4 corners of the cabinet.



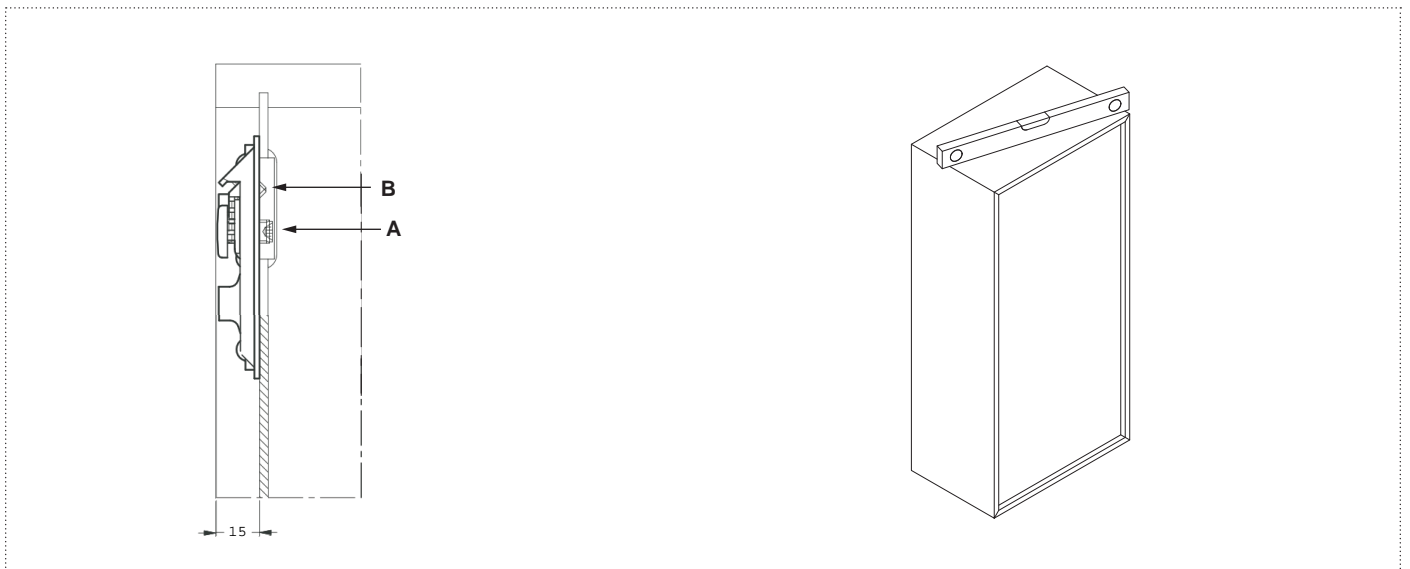
**9\_** Once assembly is completed we advise to apply non acidic silicone between top and wall.



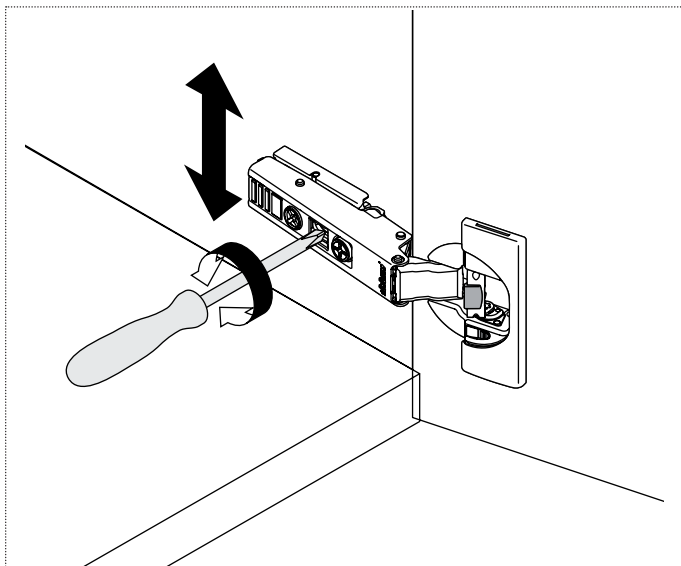
1\_ Position and fix the wall support to the wall at the height desired.



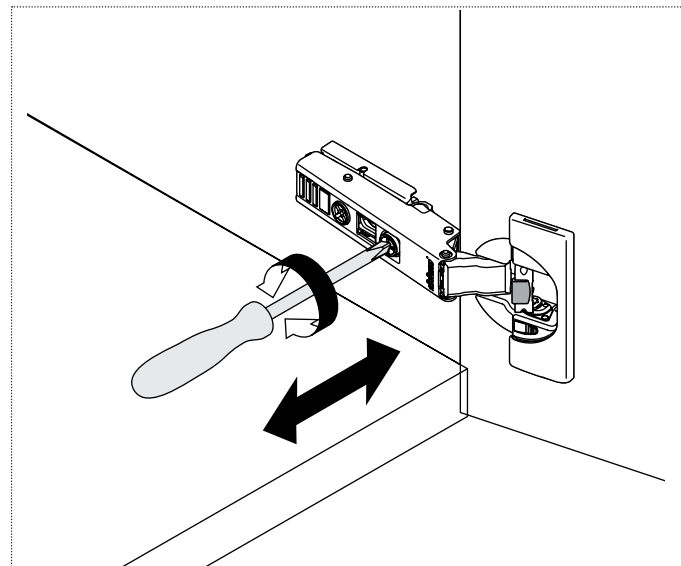
2\_ Fix the cabinets to the wall



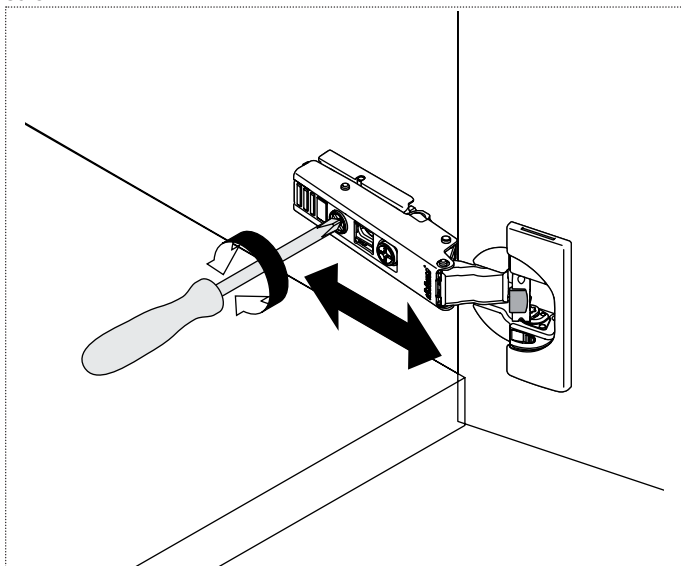
3\_ Level the cabinets using the B screws and tighten screws A



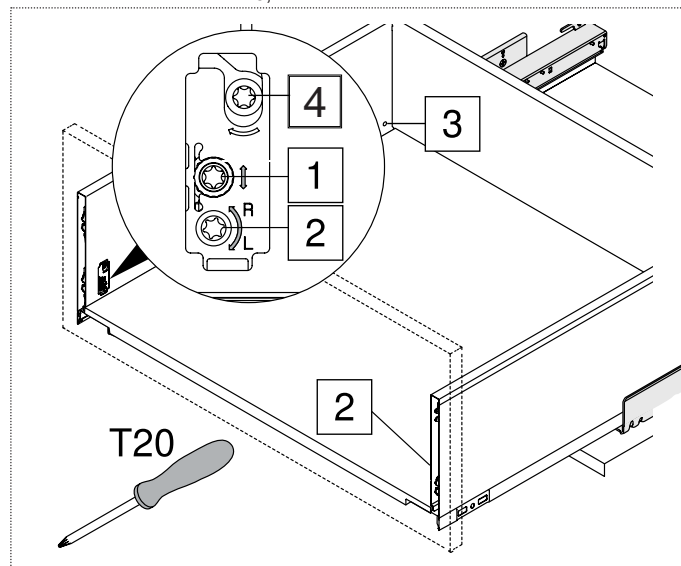
**9\_ Vertical adjustment:** it is possible to regulate vertically the door front  $\pm 2$  mm by means of an eccentric screw without having to loosen any screw.



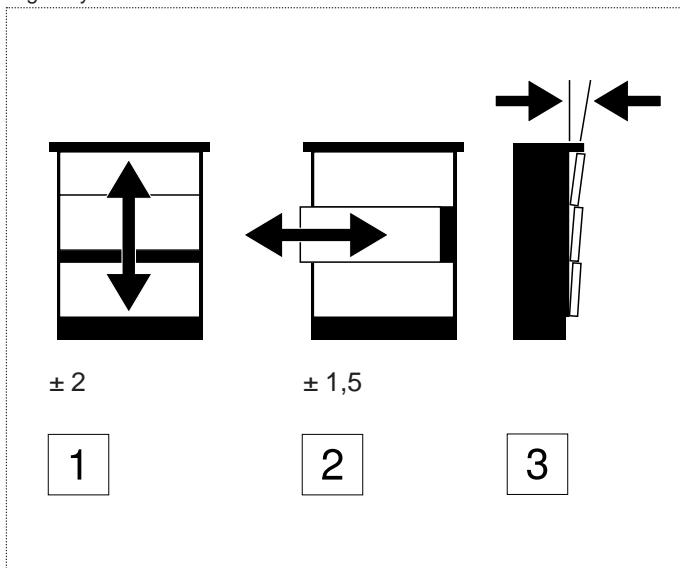
**10\_ Lateral adjustment:** laterally adjust the hinge by turning the screw. By using the assembly stopper present on the wing of the hinge, you can find the initial value "L" of 0,7 mm.



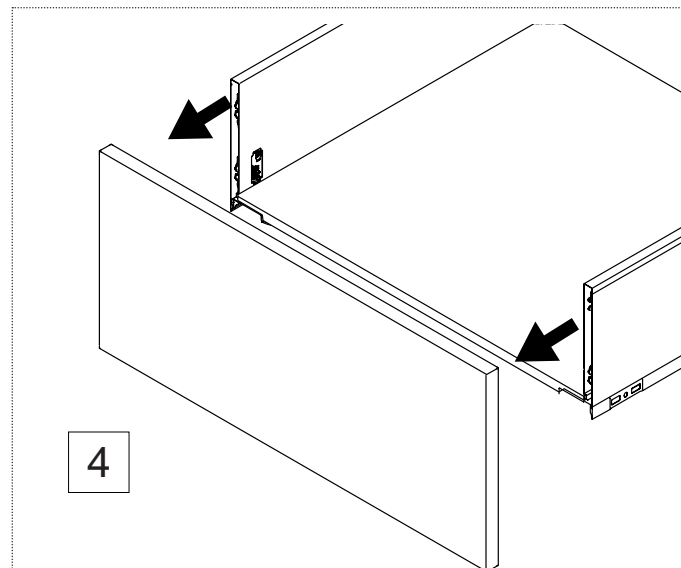
**11\_ Front adjustment:** it is possible to adjust the door front in depth from -0,5 mm to +2,8 mm by means of an eccentric screw without having to align any screw.



**12\_ Drawer adjustment**



**13\_ Adjustment in height, position and inclination. Note:** adjustments must be done on both sides.



**14\_ Drawer front removal.**









**antoniolupi**

**73**

VIA MAZZINI

**75**

Antonio Lupi Design S.p.A.  
via Mazzini 73/75 - 50050 Stabbia  
Cerreto Guidi (Firenze) - Italy  
T +39 0571 586881\_95651  
F +39 0571 586885  
[www.antoniolupi.it](http://www.antoniolupi.it)  
[lupi@antoniolupi.it](mailto:lupi@antoniolupi.it)