

BINARIO 03 design Nevio Tellatin

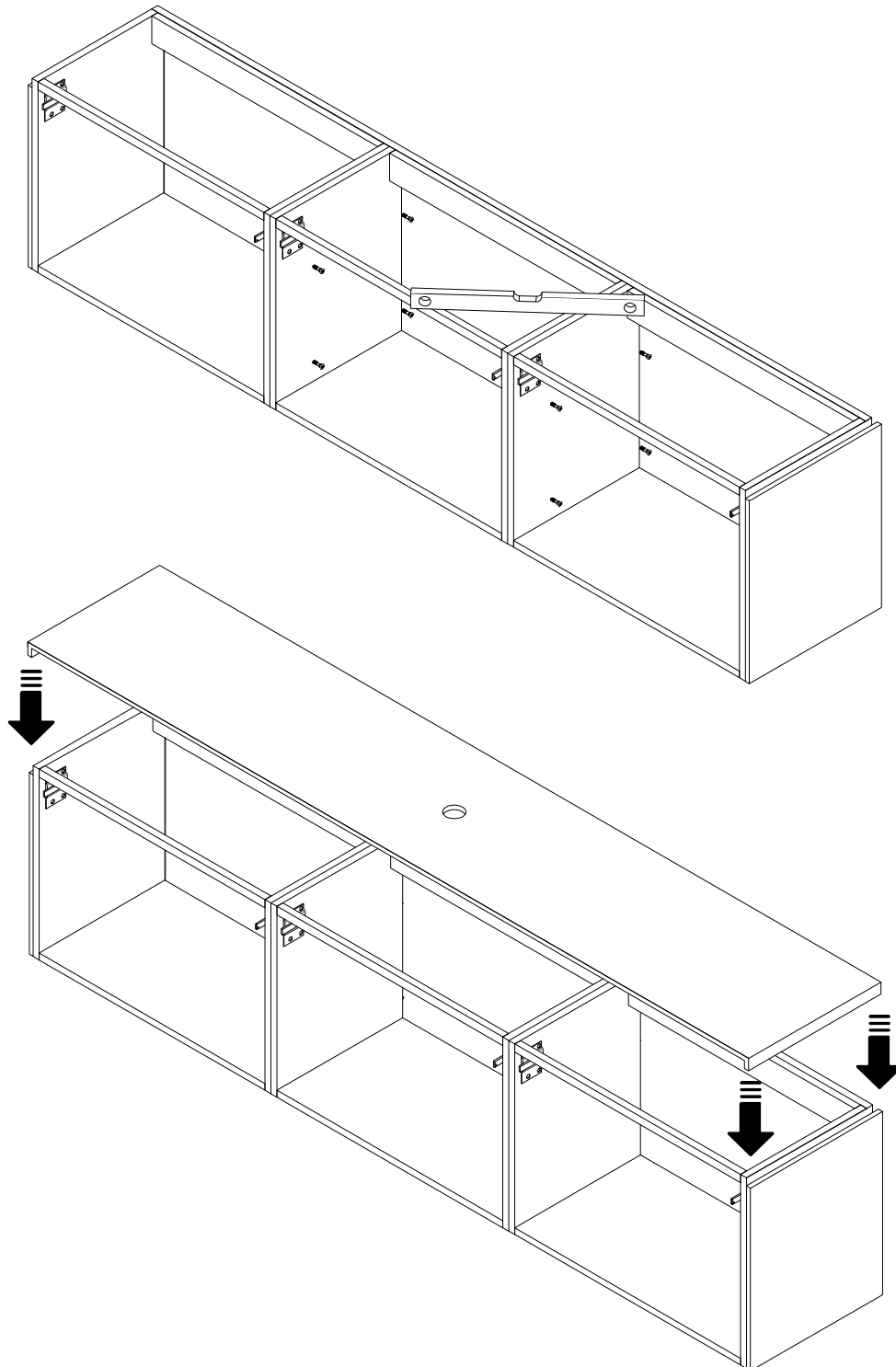


**antoniolupi**

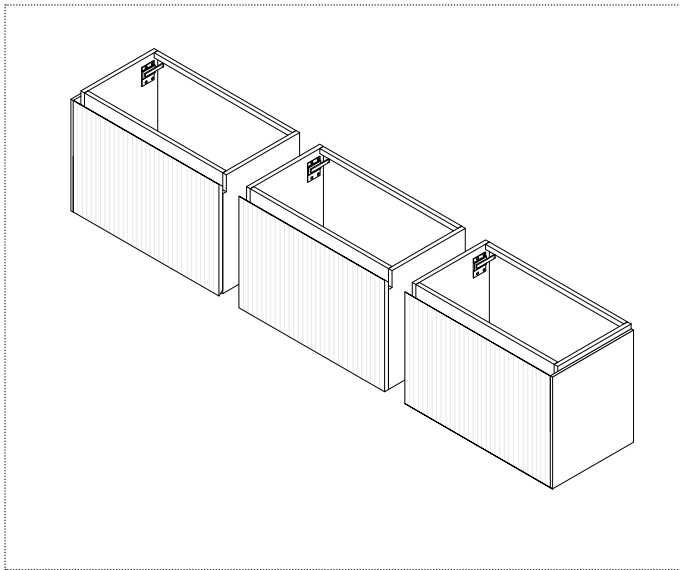
MADE IN ITALY



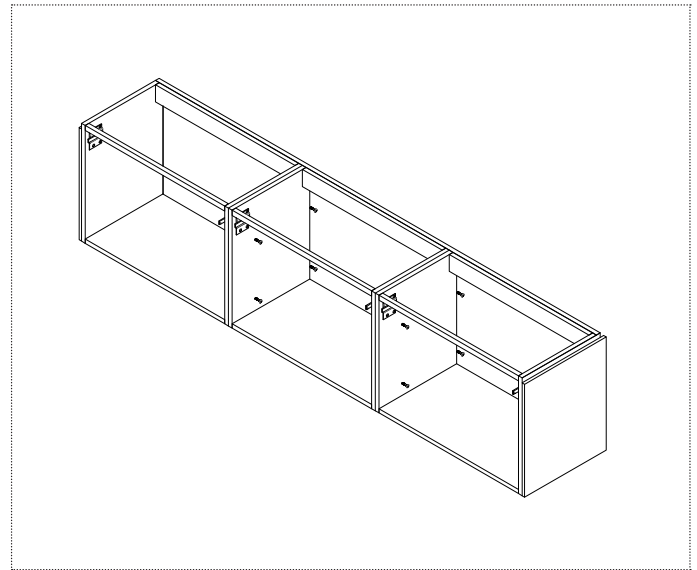
CAUTION!



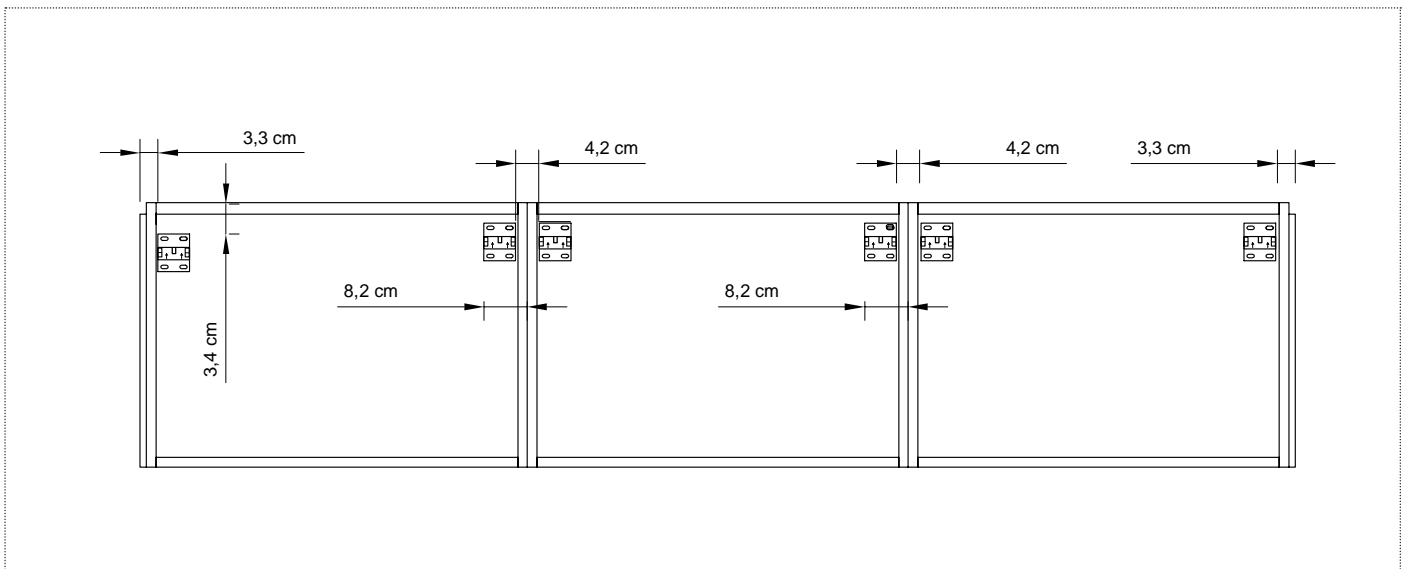
Carefully carry out the assembly and the leveling of the cabinets. Place the top on the furniture and once you have verified the correct positioning you should continue with the fixing to the wall.



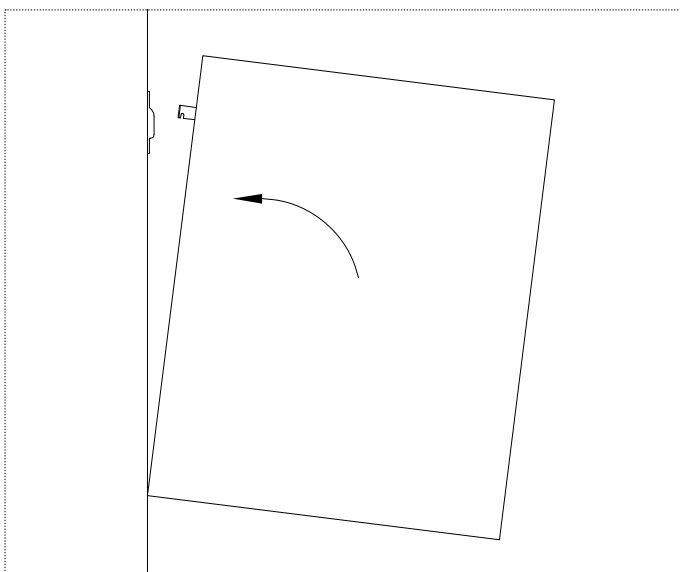
1\_ Prepare your cabinets on the floor before assembly.



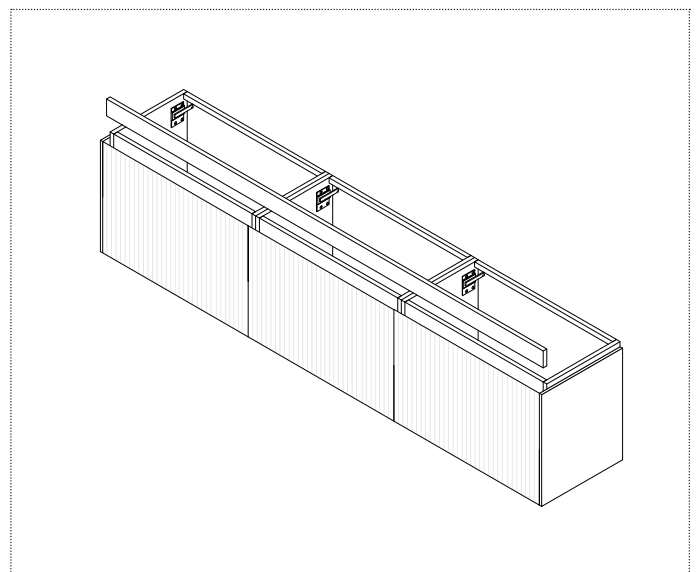
2\_ Assemble the cabinets together using the screws provided.



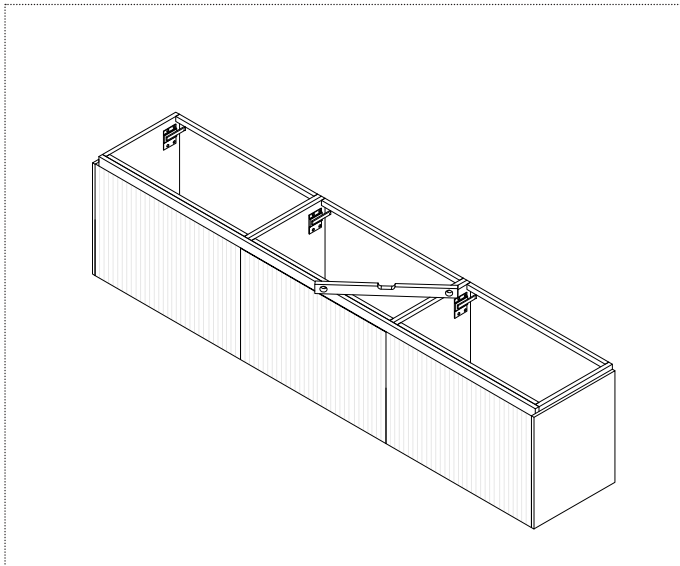
3\_ Position and secure the supporting wall plates to the dimensions given.



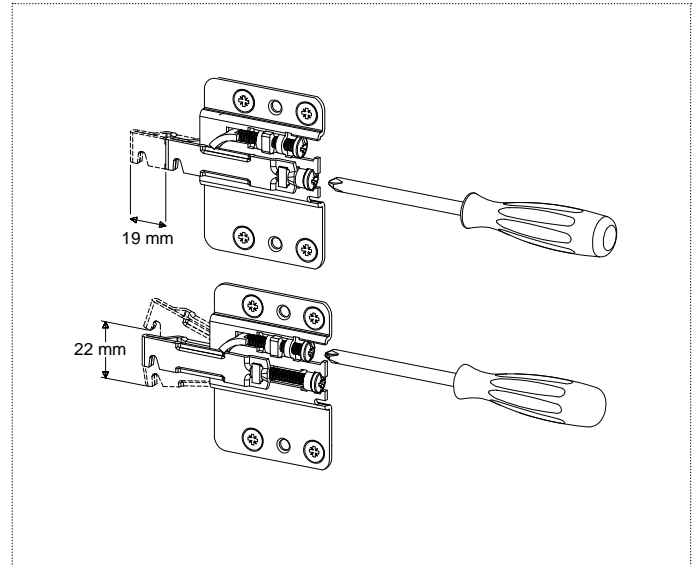
4\_ Hang the cabinets on the wall.



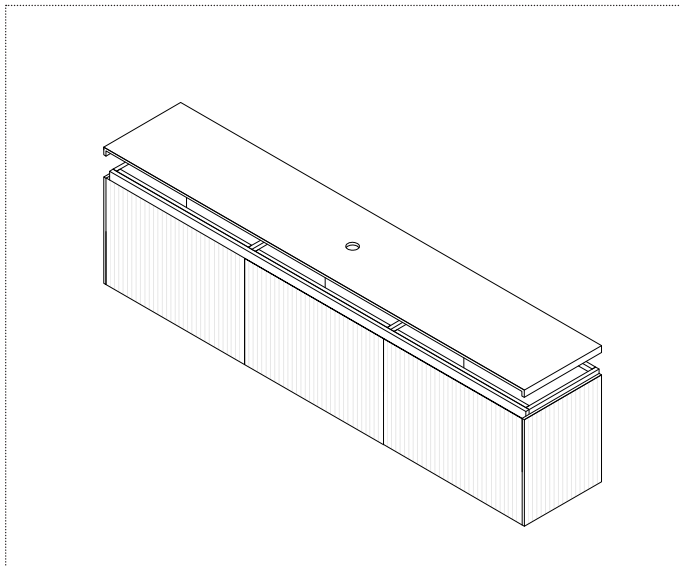
5\_ Insert and secure the front finishing panel.



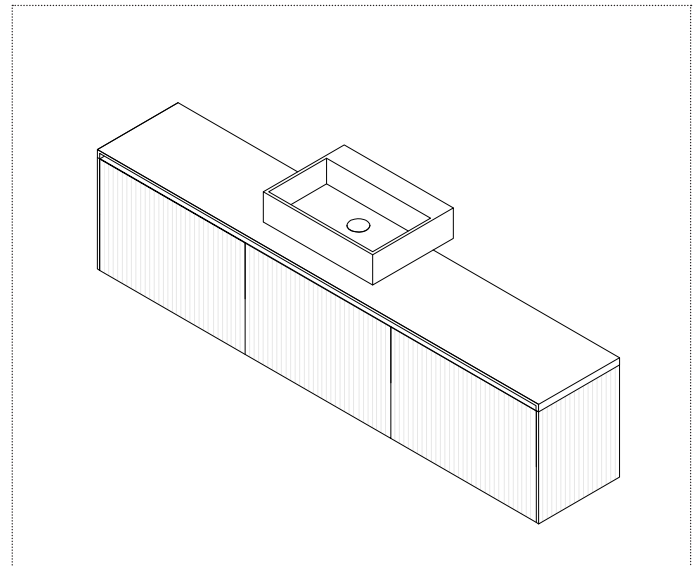
6\_ Level the cabinets following point number 7.



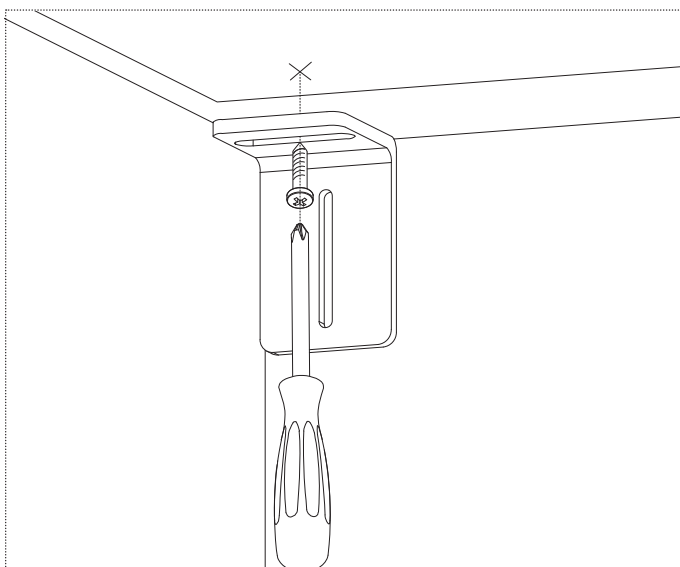
7\_ Tighten and register the cabinet to obtain the desired position.



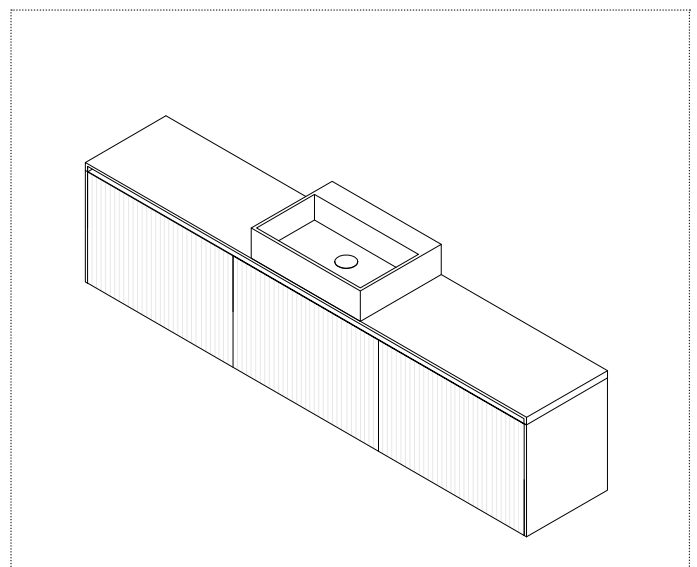
8\_ Proceed with sealing the top surface of the cabinets and position the top.



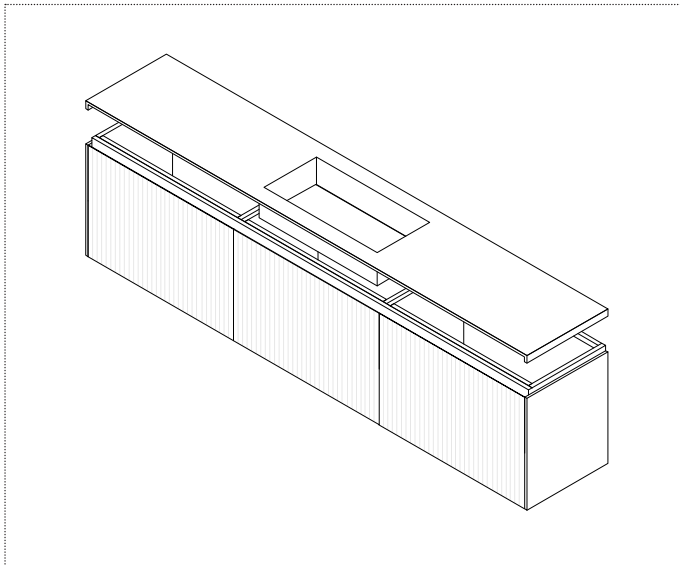
9\_ Position and seal the sink with non acidic silicone.



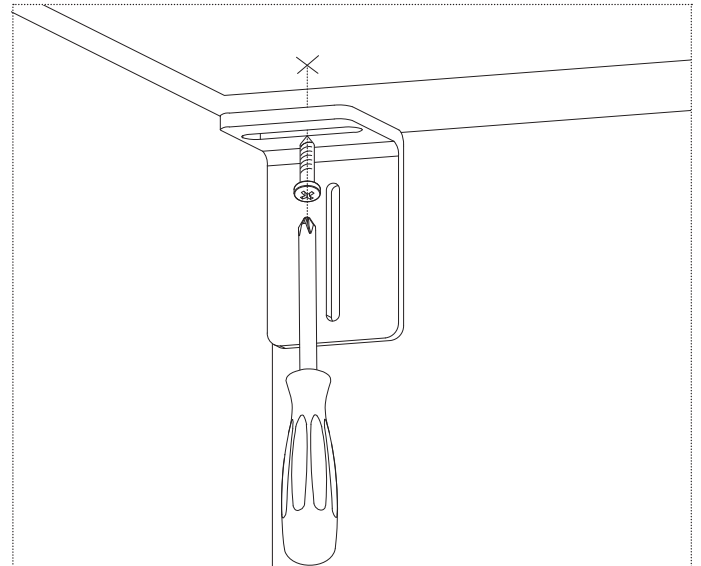
10\_ Connect the top with the brackets placed on all 4 corners of the cabinet



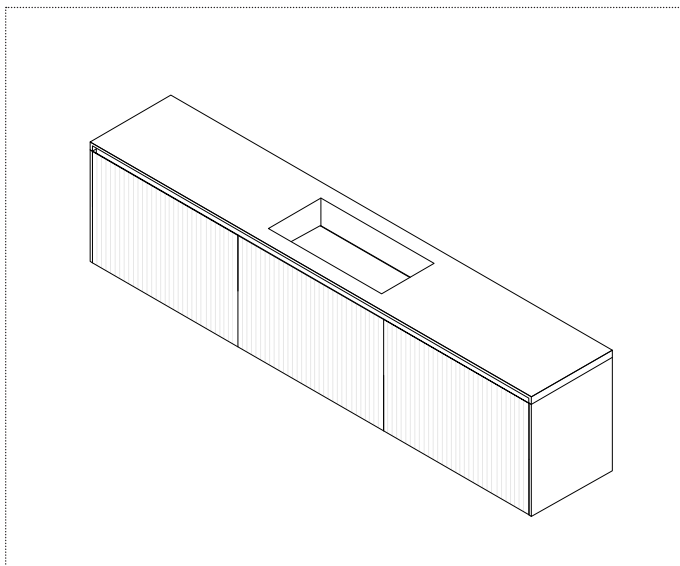
11\_ Once assembly is completed we advise to apply non acidic silicone between top and wall.



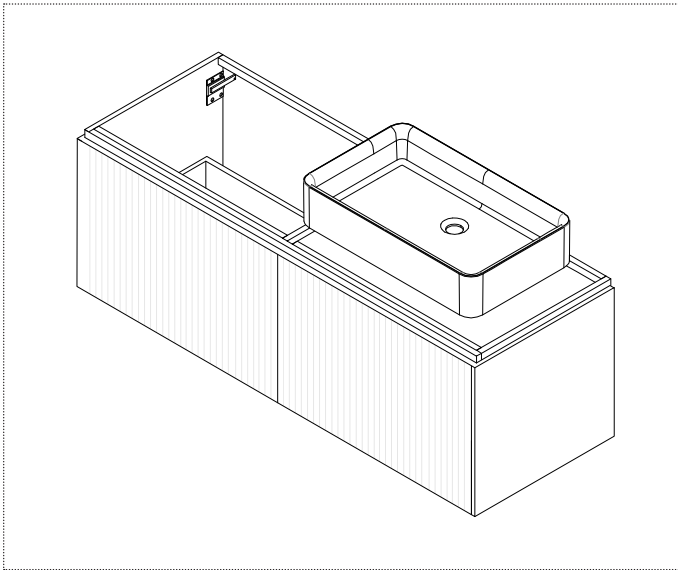
**8\_** Proceed with sealing the top surface of the cabinets and position the top.



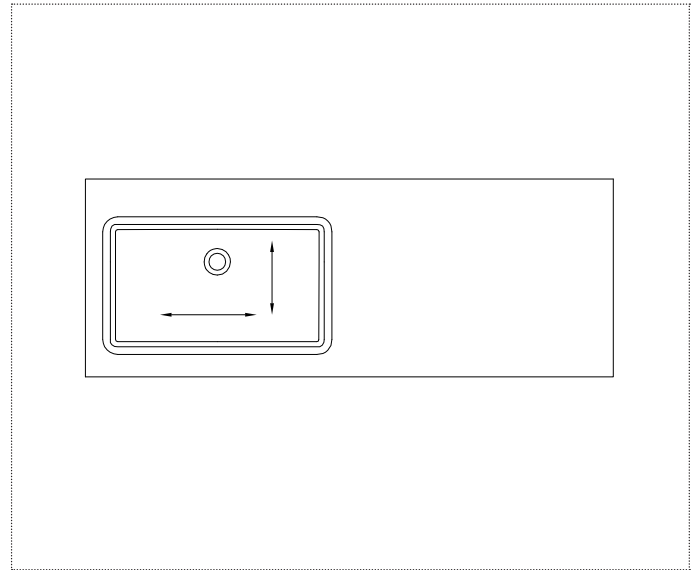
**9\_** Connect the top with the brackets placed on all 4 corners of the cabinet



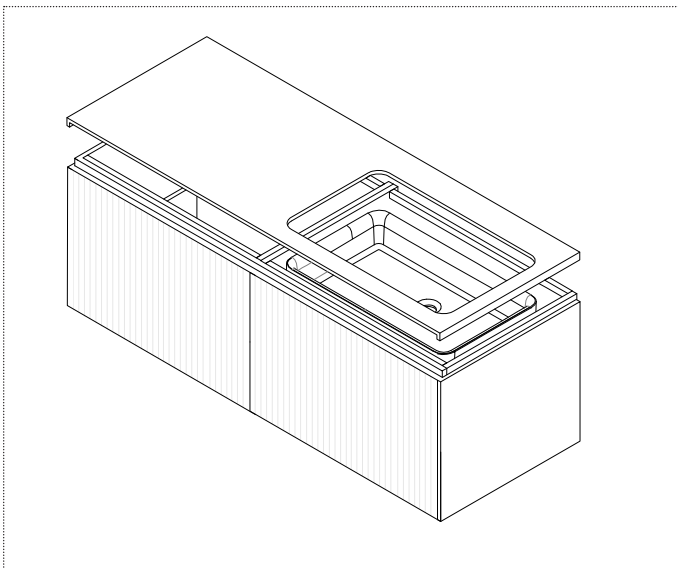
**10\_** Once assembly is completed we advise to apply non acidic silicone between top and wall.



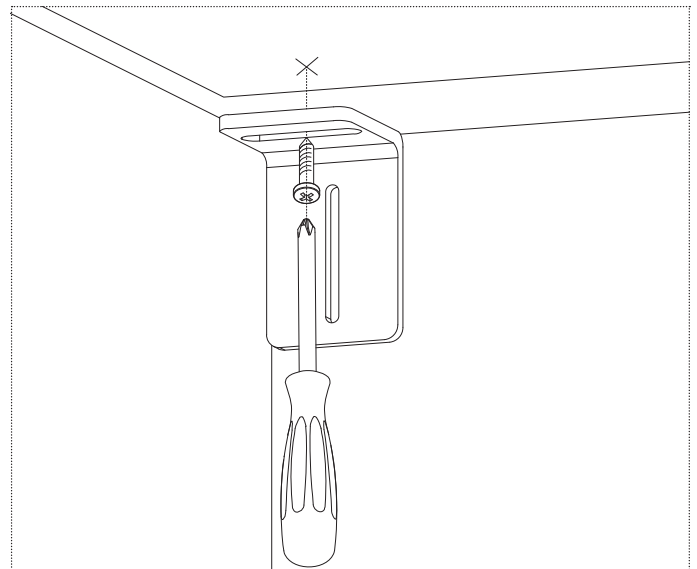
**6\_** Position the sink on the internal shelf and regulate the screws so as to level it.



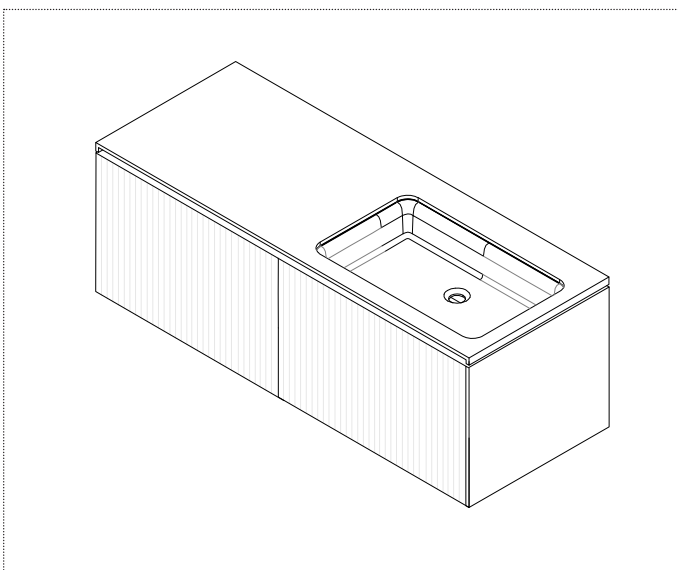
**7\_** Carefully position the top to avoid moving the sink and regulate in accordance to the sink hole to obtain mutual centering.



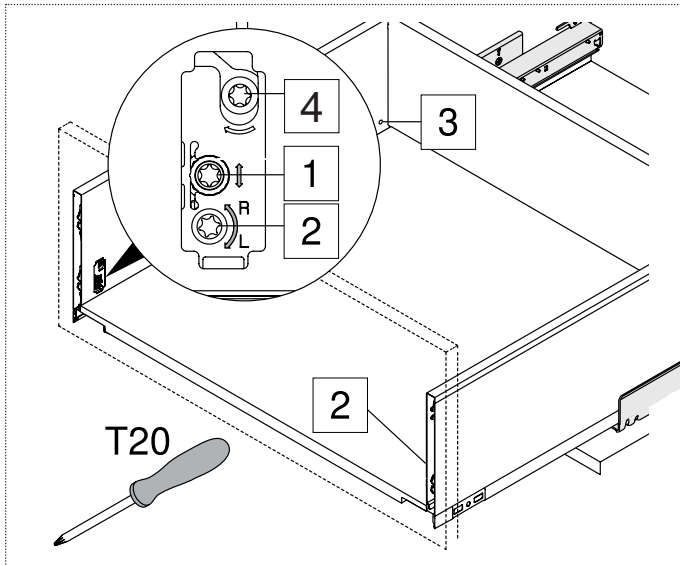
**8\_** Remove the top gently so as not to move the sink. Proceed with sealing the sink and top and reposition the top.



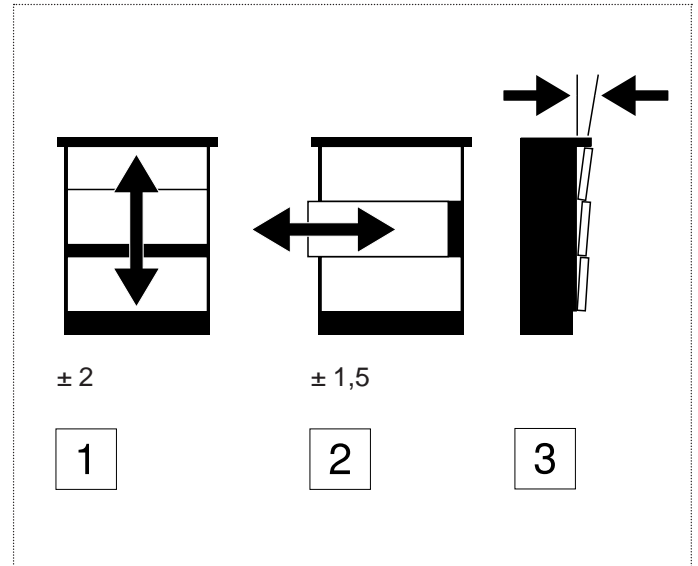
**9\_** Connect the top with the brackets placed on all 4 corners of the cabinet



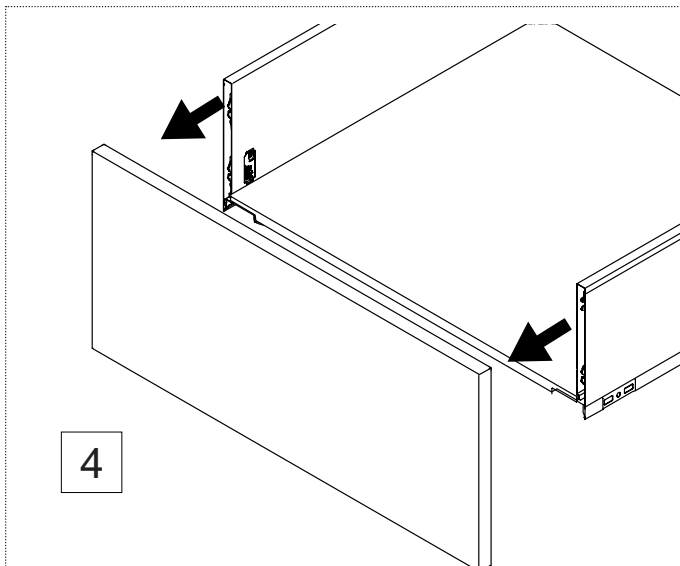
**10\_** Once assembly is completed we advise to apply non acidic silicone between top and wall.



10\_ Drawer adjustment.



11\_ Adjustment in height, position and inclination. Note: adjustments must be done on both sides.



12\_ Drawer front removal.

**antoniolupi**

**73**

VIA MAZZINI

**75**

Antonio Lupi Design S.p.A.  
via Mazzini 73/75 - 50050 Stabbia  
Cerreto Guidi (Firenze) - Italy  
T +39 0571 586881\_95651  
F +39 0571 586885  
[www.antoniolupi.it](http://www.antoniolupi.it)  
[lupi@antoniolupi.it](mailto:lupi@antoniolupi.it)