

# OTC Quality Products



## Package Includes

*Faucet*

*Solenoid Valve*

*Stainless Steel Hose*

*Mounting Hardware*

*Battery Case*

*Batteries Pre-installed*

*Drain Sold Separately*

*All the hardware necessary for  
satisfactory installation*

## **Model: OTC200 Electronic Faucet**

- **Solid Stainless Steel Construction.**
- **Matching Electronic Faucet.**
- **Digital Plug and Play System.**
- **Lead Free Construction.**
- **ADA Compliant.**
- **Vandal Resistant.**
- **Battery Powered, A/C Option.**
- **Polished Chrome or *Natural* Stainless Steel Finish.**



<b>SPOUT &amp; HARDWARE:</b>	<b>304 STAINLESS STEEL</b>
<b>POWER:</b>	<b>AA BATTERIES/ OPTIONAL AC ADAPTER</b>
<b>BATTERY LIFE EXPECTANCY:</b>	<b>300,000 CYCLES</b>
<b>WORKING WATER PRESSURE:</b>	<b>1 PSI -100 PSI</b>
<b>SUPPLY INLET SIZE:</b>	<b>1/2" NPT MALE</b>
<b>TEMPERATURE CONTROL:</b>	<b>OPTIONAL</b>
<b>SINK DRAIN:</b>	<b>OPTIONAL</b>
<b>RESPONSE TIME:</b>	<b>0.3 SECOND</b>
<b>MAXIMUM RUNNING TIME:</b>	<b>30 SECONDS</b>
<b>AERATOR:</b>	<b>1.5 GPM. MANY FLOW RATES OPTIONS</b>
<b>COUNTER TOP SPECS.:</b>	<b>HOLE SIZE: MIN 1".. THICKNESS: MAX 2"</b>

**OTC Quality Products**

www.macfaucets.com Tel 866 558 3200 Email Info@macfaucets.com

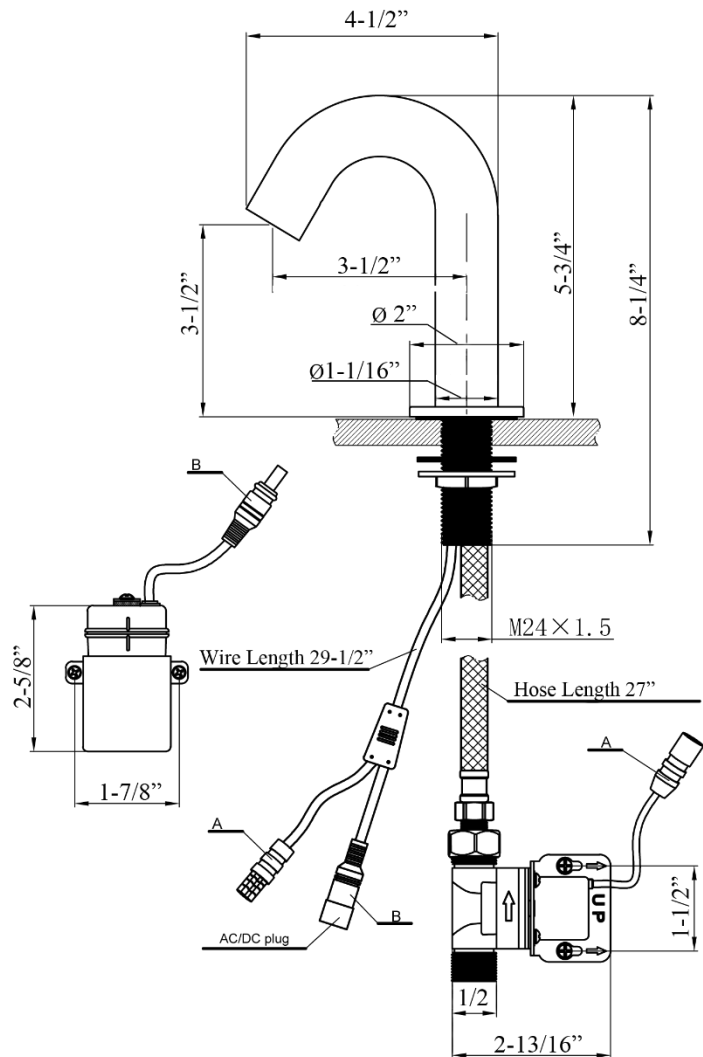
## MASTER OPTIONS LIST

Instructions: Choose option below. add to the model numbers after a dash (-).  
 For example: **OTC200-ADM** = faucet + plugin A/C adapter + 4" deck plate + Mechanical mixing valve. **OTC200-EJF4** = faucet + 8" deck plate + Drain with overflow + 1.5GPM aerator.

Description	Part number	Use Code
A/C adapter. The model number depends on item.	A-19000	<b>A</b>
Battery compartment, AA cell	R-19155	<b>B</b>
4" On center deck plate	A-10400	<b>D</b>
8" deck plate for wide-spread applications	A-10800	<b>E</b>
Flow Rate: 0.5GPM aerator.	R-21503	<b>F3</b>
Flow Rate: 1.5GPM aerator.	R-21505	<b>F4</b>
Grid type drain, with overflow	A-13000	<b>J</b>
Grid type drain, without overflow	A-13100	<b>I</b>
Mechanical mixing valve, below sink	A-12910	<b>M</b>
Natural Stainless Steel finish	F-SS	<b>S</b>

### All Dimensions in Inches

Notes



**OTC Quality Products**

www. macfaucets.com Tel 866 558 3200 Email Info@macfaucets.com