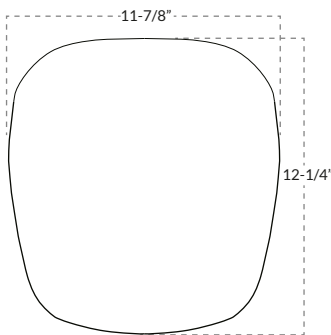


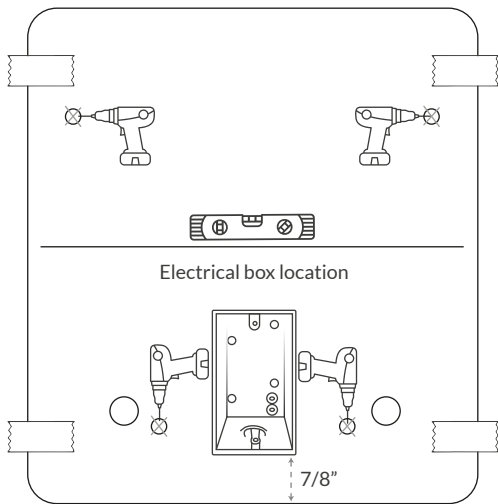


AHD-3

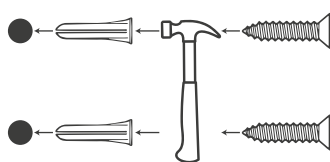
AHD-5



02 Drill hole



1. Use the template provided inside of the box.
2. Use a level to insure that the template is straight and level, the electrical box must be a 7/8" from the edge of template to the edge of the box.
3. Use painters tape to hold the template in place.
4. Drill holes for supplied plastic anchors.



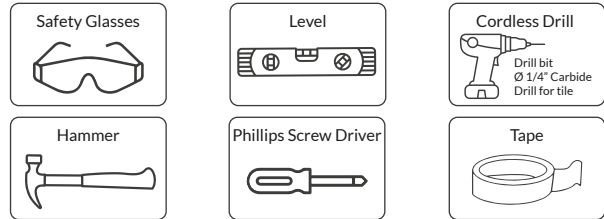
5. Place the plastic anchors in the holes and push them with the help of a lite hammer.

Specifications

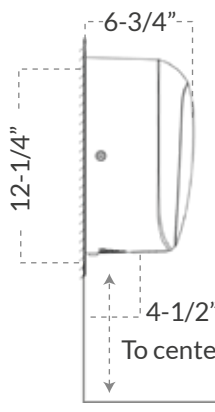
- ✓ Stainless Steel Front Cover
- ✓ 110 - 120V
- ✓ 11.7 Amps
- ✓ 550 - 1200W
- ✓ Hardwire Connection
- ✓ HEPA Filter
- ✓ All hardware necessary for satisfactory installation



Tools Needed



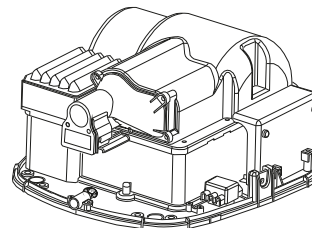
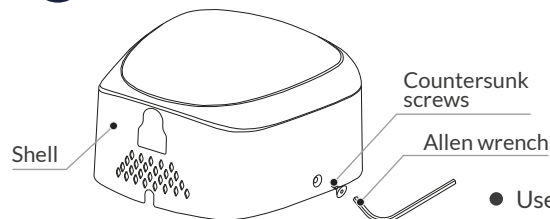
01 Recommended Mounting Heights



From Floor to bottom of Hand Dryer

Men	45"	(114cm)
Women	43"	(109cm)
Teenagers	42"	(107cm)
Small childrens	34"	(86cm)
Handicapped	38"	(97cm)

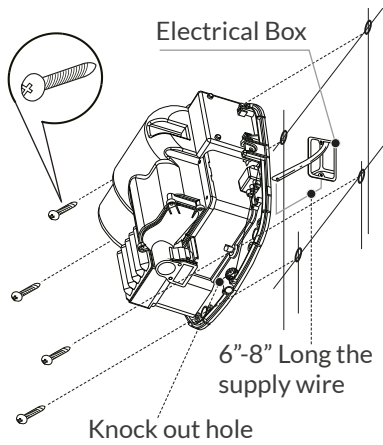
03 Shell remove



- Use Allen wrench from accessories bag to remove 2 countersunk screws from body shell.
- Pull the shell upward by hands to remove.
- ⚠ Please avoid damage to shell finish.

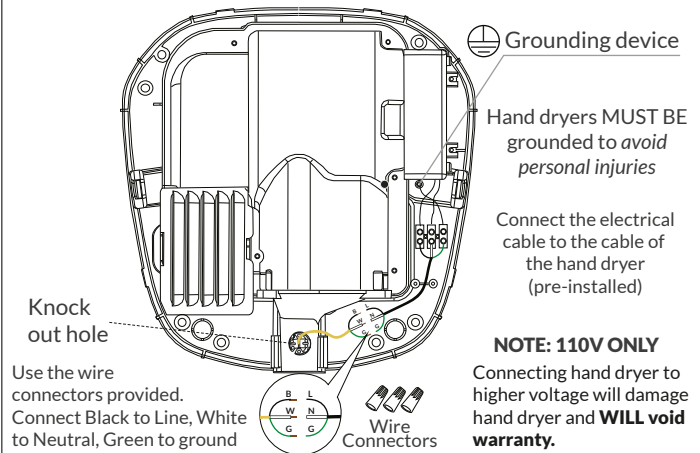
04 Mounting instructions

- Install Electrical **Box inside the wall**. Location is shown in 02 page 1, point 2 Electrical Box must be flush with the wall surface.
- Pass the electrical cable through the knock out hole before mounting hand dryer onto wall, leave 6"-8" of wire inside of the hand dryer.
- Affix hand dryer onto wall using the 4 supplied screws, fasten securely

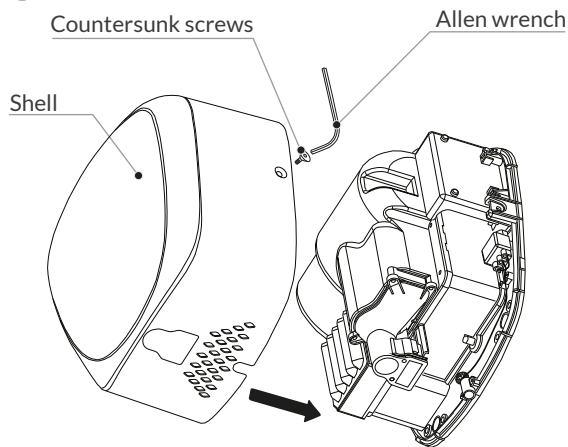


05 Connect the hand Dryer

All wire connections **MUST BE** conducted by an experienced electrical contractor. Connect to an independent 20 Amp circuit breaker.



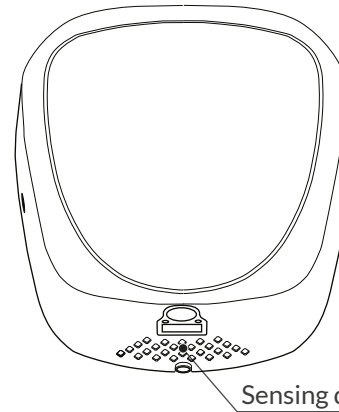
06 Shell installation



- Tighten the 2 countersunk screws on the shell.

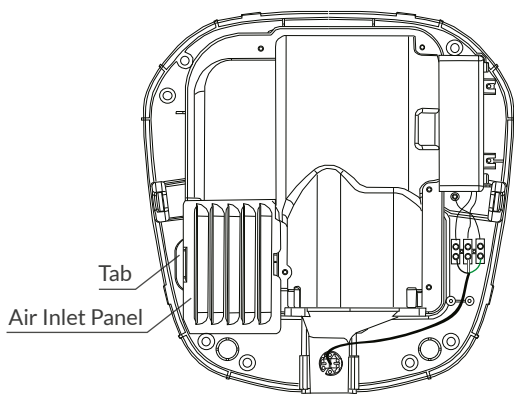
Daily Use and Maintenance

01 External maintenance



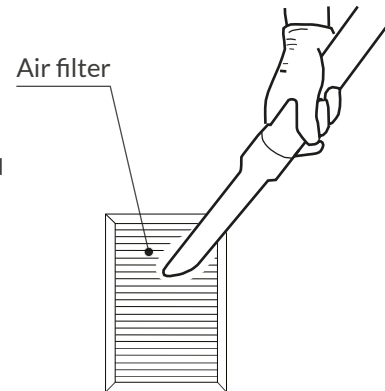
- ▲ Clean with a soft dry cloth or towel.
- ▲ Please use standard glass cleaner **ONLY**.
- ▲ Please **DO NOT** use harsh solvents of any kind.
- ▲ Using the wrong cleaning tools or supplies will cause damage to the unit and finish and **WILL void warranty**.

02 Air filter maintenance

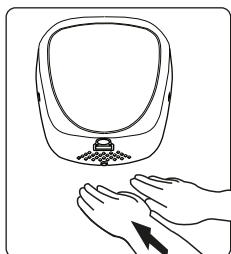


Cleaning cycle: semi-annually or as needed

1. Remove Shell, see 06 above.
2. Open the air inlet panel, pull the air filter out and clean it.
3. Install shell back on, see 06 above.



01 Operation instructions



Place hands under sensor to activate.
Dryer will shut off a few seconds after hands are removed.

